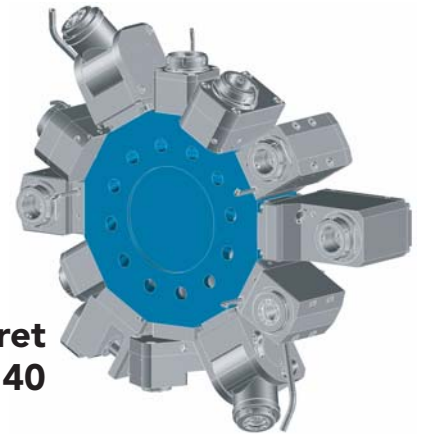


## Guidelines for Operation with Mazak Turrets

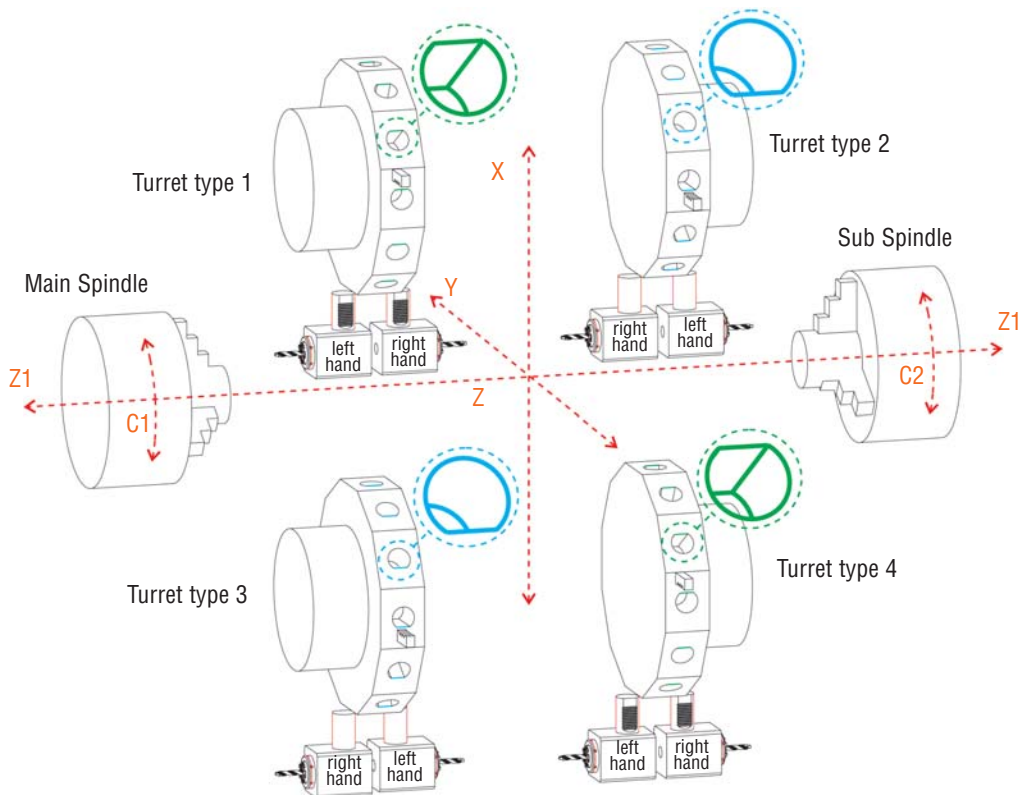
**Tools are fixed on the revolver circuit.**

The orientation of the turret to the spindle is important. Machines with Mazak turrets often come with a sub spindle.



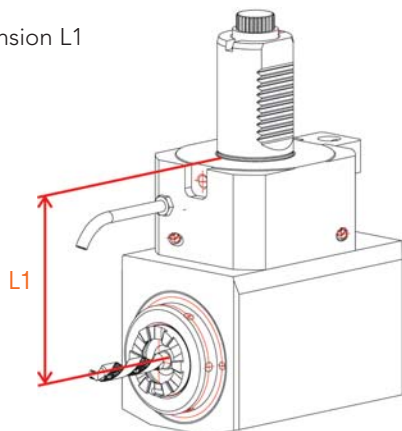
**Mazak Turret VDI 40**

### Right- and left-hand versions on Mazak Turrets with Main- and Sub-Spindle



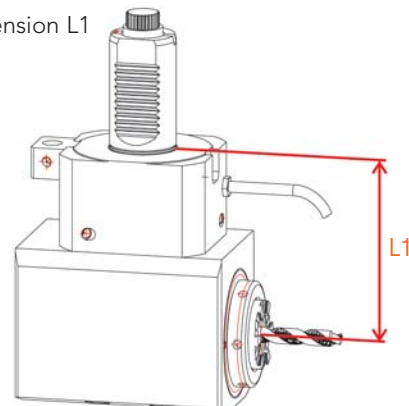
#### Left-hand version

Please note dimension L1



#### Right-hand version

Please note dimension L1



Please check interference circles with fixed tools.