



Current Promotion

Scan
these
QR Codes



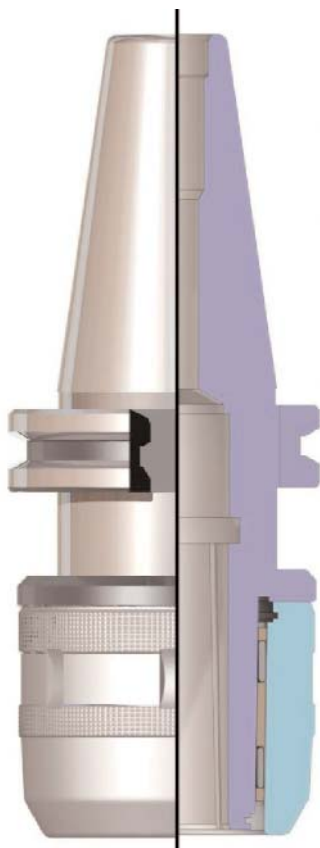
Featured Video

Milling Chuck Features

Since its first introduction into the industry in 1963, Nikken has sold over 2,000,000 Milling Chucks worldwide and never stopped improving its original design. Featuring multi-roller bearings spiral coolant slots and a heavy-duty nut, the Milling Chuck is the most reliable and powerful toolholder available.

Our latest edition, Nikken Anniversary Multi-Lock Milling Chuck, is more compact and advanced with full-bore clamping for even more incredible gripping power.

With these features, the "Anniversary" Multi-Lock Milling Chuck quickly became one of the most popular tools used in machine shops all over the world.



US Patent (7018919)

Nikken is the inventor of the Milling Chuck.

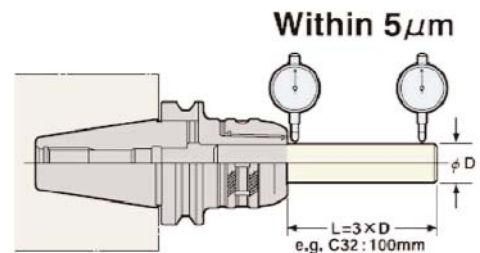
Quiet, Stable Heavy Milling

High strength Nickel Chromium Molybdenum 4340 Alloy. Solid 1-piece base and thick wall design ensure no distortion during heavy machining. Straight collet design virtually eliminates axial movement in clamping, ideal for multi-spindles machining, which requires matched tool-length settings.

High Run-Out Accuracy

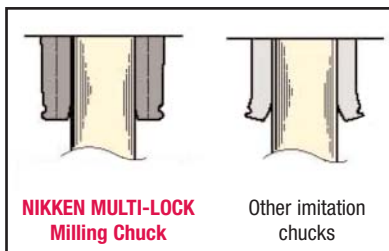
Flange and taper grinding allow for smooth and precise chucking of tool, resulting in minimal TIR.

0.0002 at 4" from the nose guaranteed.



Sub-Zero Treatment (-90°C)

All milling chucks are cryogenically treated after heat treatment to remove residual Austenite. This creates a uniform Martensite state and eliminates warpage and distortion, preventing deformation during the life of the toolholder.



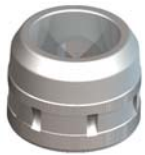
Even Gripping Along Entire Length of Cutter

Clamping along the entire shank is a key condition for precise milling. Without this critical factor, surface finish, tool life, rigidity and run-out accuracy will be jeopardized.

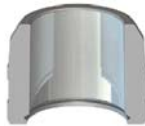
Only Nikken Milling Chuck clamps even at 3mm from the nose. This makes the Anniversary Type Multi-Lock Milling Chuck ideal for roughing and finishing.

Milling Chuck Features

Chucking Torque and Durability



Forged Nickel Chrome Molybdenum 4340 ground on taper and base.



Thick nut exerts immense gripping strength by collapsing tight taper on the mill chuck body.



Staggered, coated steel cage packs 140% more needle rollers than imitations. This provides more gripping power. The retainer is NOT made of phosphor bronze but rather of special steel which will never break.



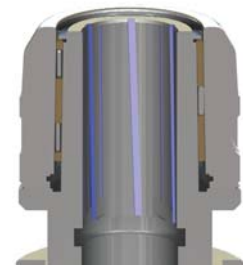
	Nikken Multi-Roller System			Imitation Multi-Roller System	
--	-----------------------------------	--	--	--------------------------------------	--

Chucking Torque and Rigidity: Effect of Internal Slots

Internal slots together with thickened wall of the chuck body ensure no distortion even at heavy milling. Thus, smooth milling work is achieved without the vibration or slipping of the end mill.

Strongest mechanically gripping holder in the world!

Thick wall and slots provide strong chucking torque and rigidity. Further, slots function as an escape for oil.

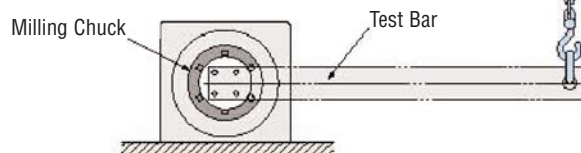
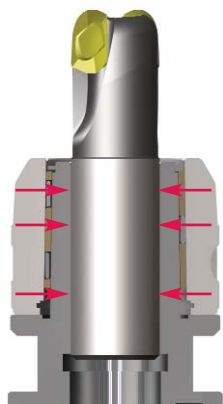


Chucking Torque Test Data (C42)

	Oil is removed completely	Trace amounts of oil	%
Nikken With Slots	3,600 ft. lbs.	3,500 ft. lbs.	5% down
Others Without Slots	2,500 ft. lbs.	900 ft. lbs.	67% down



- 2 degree internal directional slots keep high pressure coolant aimed toward the periphery of the cutter
- High pressure capable up to 1200PSI
- Large slot design is also ideal for high volume oil and for high pressure air applications

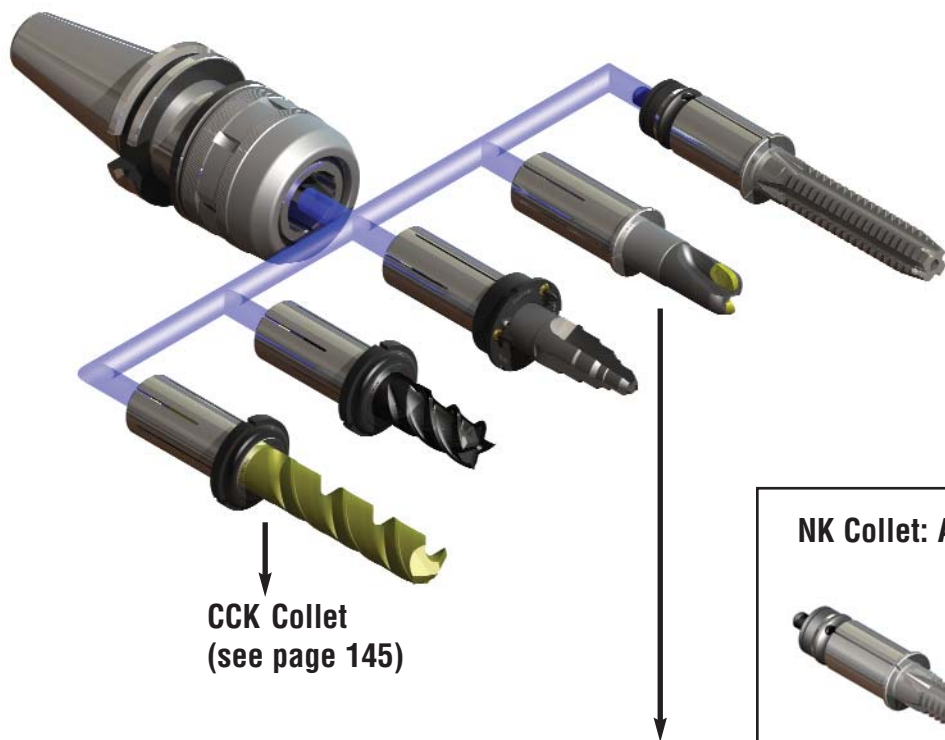


Milling Chuck Collet System

Ultra-lock Milling Chuck Collets are designed to ensure uniform fit around the cutting tool shank. This provides maximum gripping power as well as concentric positioning of the cutting tool. Collets are available for all Ultra-Lock Milling Chucks in inch and metric sizes including coolant-thru styles. All milling chuck collets will surpass the precision and rigidity of traditional collet chuck systems if the cutting tool shank tolerance is guaranteed to be h7 or better.



KM: standard collet
NK: adjustable collet
CCK: Coolant-thru collet
CCKN: Coolant-thru adjustable collet



CCK Collet
(see page 145)

KM Collet



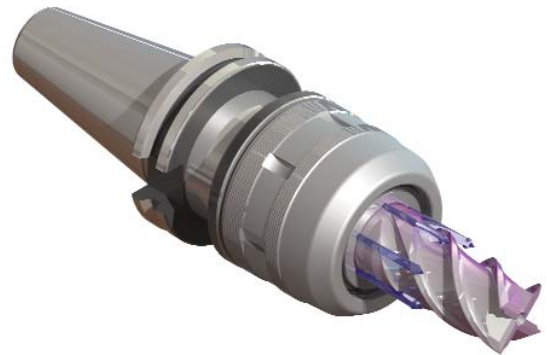
- High precision KM reduction collets extend the chucking flexibility of the milling chuck. All inch and metric standard sizes can be held by the same toolholder
- Can be used in conjunction with a coolant back up screw for high pressure (1200 PSI) applications

NK Collet: Adjustable Collet



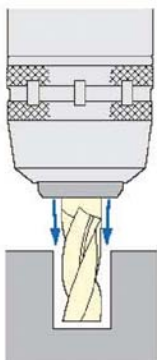
- High precision NK reduction collets extend the chucking flexibility of the milling chuck and offer a built in back up screw for repeatability when replacing cutters
- Available in all inch and metric standard sizes
- Easy set up since the NK fits directly into the inner diameter of the milling chuck

Milling Chuck Coolant Collet System: CCK Collet

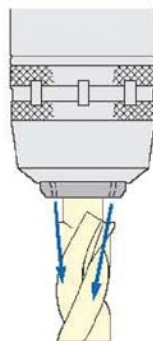


- High pressure coolant application through existing slots
- CCK reduction collets offers flexibility to hold both metric and inch standard shanks
- Straight collet design eliminates taper tolerance variation between mating surfaces
- Many options available to configure how coolant is expelled
- CCK collets are designed with an internal coolant groove that helps channel high pressure coolant to the periphery of your cutter without any reduction of gripping strength and TIR accuracy

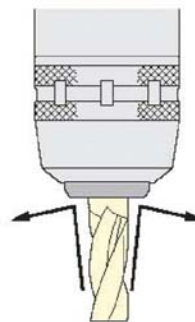
Examples of Coolant-Thru Options



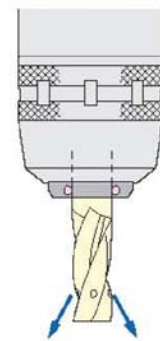
For Grooving



For cutters with cutting diameters larger than the shank diameter



Prevention of the swarf contamination



A front nut with an O-ring seal, for use with coolant thru cutter, is also available as an option

Milling Chuck Coolant Collet System



Coolant-Thru Nut: CKFN-C

When paired with the Ultra-Lock™ Milling Chuck Coolant Collet (CCK), the Coolant-Thru Nut forms a complete seal around the cutting tool. This forms an ideal combination for coolant-thru cutting tools.

- Internal durable O-ring seals for high pressure 750 PSI
- Available for inch and metric shanks
- Prevents swarf and chips from packing on the collet face
- Both the Coolant Collet and the Coolant-Thru Nut must be ordered on size for each cutting tool (see pages 157-158 for sizes and part numbers)



Slotted Nut: CKFN

When paired with the Ultra-Lock™ Milling Chuck Coolant Collet (CCK), the Slotted Nut allows coolant to travel down the shank of the cutting tool to the cutting edge. This combination is ideal for non coolant- thru cutting tools.

- 3 angled slots keeps high pressure coolant (up to 1200 PSI) aimed toward the periphery of the cutter, even at high RPM
- Available for inch and metric shanks
- Helps remove chips during deep pocketing applications
- Both the Coolant Collet and the Slotted Nut must be ordered on size for each cutting tool



Slotted Nut: CKFN-MN

- 3 adjustable nozzles help channel high pressure coolant to different cutter points (up to 750 PSI)
- Available for inch and metric shanks
- Excellent for tools with multiple cutter points



Direct Coolant Plug (thru-tool)

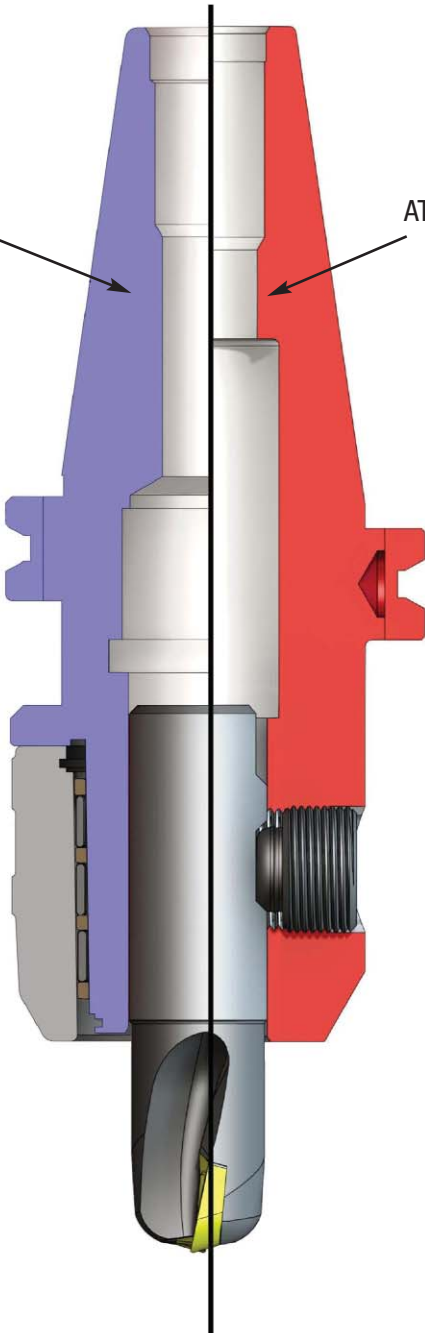
- Adjustable back up screw and coolant plug combination seats and seals within the inner diameter of milling chuck
- Rear coolant ports of cutter seat directly onto face o-ring seal of coolant plug
- 1200 PSI capable
- Available for inch and metric shanks
- Excellent for high torque deep drilling

Why Upgrading to the Ultra-Lock Milling Chuck?

The milling chuck is a renowned universal toolholder which has been proving its efficiency for years all over the world. Featuring a revolutionary design and collet system, the Ultra-Lock Milling Chuck allows for high-speed applications up to 20,000rpm and offers incredible benefits compared to standard End Mill Holders such as higher accuracy and higher rigidity.

See below to find out what makes our Ultra-Lock Milling Chuck the best choice for any milling application.

Lyndex-Nikken Milling Chuck	End Mill Holder
<p data-bbox="321 768 609 802">AT3 taper quality or better</p> <ul style="list-style-type: none"> <li data-bbox="118 991 570 1024">• Most powerful collet chuck in the world <li data-bbox="118 1073 594 1173">• Symmetrical design, pre-balanced body and nut allow the milling chuck to operate beyond 20,000 RPM <li data-bbox="118 1226 594 1360">• Outside bearing nut mechanically induces tight taper of the milling chuck to evenly collapse onto the cutting shank for high precision TIR <li data-bbox="118 1413 584 1547">• 6 angled coolant slots are standard, providing high pressure and high volume of coolant directed toward the periphery of the cutting tool 	<p data-bbox="1013 768 1300 802">AT3 taper quality or better</p> <ul style="list-style-type: none"> <li data-bbox="1045 991 1484 1024">• 120 year old concept for holding tools <li data-bbox="1045 1073 1500 1173">• Set screw shifts cutter off center which creates unacceptable run-out for precision milling <li data-bbox="1045 1226 1524 1255">• Non symmetrical design creates imbalance <li data-bbox="1045 1308 1492 1371">• Requires tools with weldon flats which create further imbalance <li data-bbox="1045 1423 1479 1558">• Coolant slots are optional and are not large enough to create high volume of cutting fluid under high pressure applications



CAT Milling Chucks

- Nikken patented design
- Nut body contact, nose clamping and anti-vibration mechanism
- Thick body and internal slots provide extremely strong chucking torque and rigidity
- Quiet and stable heavy milling
- 140% more bearing surface than competitors' milling chucks



TIR: 0.0002" at 4xD



Speed: up to 20,000 rpm



Set-up: quick and easy



Coolant-thru: thru-tool coolant



Drilling

★☆☆☆☆



Milling

★★★★★



Reaming

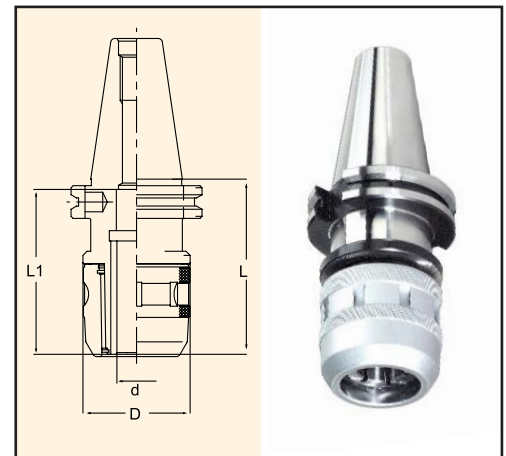
★☆☆☆☆

Please note that the maximum RPM listed in our catalog may vary depending on the toolholder shank, weight, balanceability and the G rating.

CAT40

Part Number	Collet Size	Clamping Range	Spanner Wrench	d	L	L1	D
CAT40-C3/4-70U	KM3/4	0.125-0.750"	9HC22	0.750"	2.75"	3.150"	2.047"
CAT40-C3/4-85U	KM3/4	0.125-0.750"	9HC22	0.750"	3.346"	3.150"	2.047"
CAT40-C3/4-105U	KM3/4	0.125-0.750"	9HC22	0.750"	4.134"	3.150"	2.047"
CAT40-C3/4-120U	KM3/4	0.125-0.750"	9HC22	0.750"	4.724"	3.150"	2.047"
CAT40-C1-85U	KM1	0.125-1.000"	9HC25	1.000"	3.346"	3.150"	2.362"
CAT40-C1-105U	KM1	0.125-1.000"	9HC25	1.000"	4.134"	3.150"	2.362"
CAT40-C1.1/4-85U	KM1-1/4	0.187-1.250"	9HC32	1.250"	3.346"	3.031"	2.717"
CAT40-C1.1/4SL-105U	KM1-1/4	0.187-1.250"	9HC32	1.250"	4.134"	3.543"	2.717"
CAT40-C1.1/4SL-120U	KM1-1/4	0.187-1.250"	9HC32	1.250"	4.724"	4.134"	2.717"
CAT40-C32-105U	KM32	3mm - 32mm	9HC32	32mm	4.134"	3.543"	2.717"

Note: Shaded red row indicates stubby style.



CAT50

Part Number	Collet Size	Clamping Range	Spanner Wrench	d	L	L1	D
CAT50-C3/4-105U	KM3/4	0.125-0.750"	9HC22	0.750"	4.134"	3.150"	2.047"
CAT50-C3/4-135U	KM3/4	0.125-0.750"	9HC22	0.750"	5.315"	3.150"	2.047"
CAT50-C3/4-165U	KM3/4	0.125-0.750"	9HC22	0.750"	6.496"	3.150"	2.047"
CAT50-C1-105U	KM1	0.125-1.000"	9HC25	1.000"	4.134"	3.150"	2.362"
CAT50-C1-135U	KM1	0.125-1.000"	9HC25	1.000"	5.315"	3.150"	2.362"
CAT50-C1.1/4-90U	KM1-1/4	0.187-1.250"	9HC32	1.250"	3.543"	4.134"	2.717"
CAT50-C1.1/4-105U	KM1-1/4	0.187-1.250"	9HC32	1.250"	4.134"	4.134"	2.717"
CAT50-C1.1/4-135U	KM1-1/4	0.187-1.250"	9HC32	1.250"	5.315"	4.134"	2.717"
CAT50-C1.1/4-165U	KM1-1/4	0.187-1.250"	9HC32	1.250"	6.496"	4.134"	2.717"
CAT50-C32-105U	KM32	3mm - 32mm	9HC32	32mm	4.134"	4.134"	2.717"
CAT50-C32-165U	KM32	3mm - 32mm	9HC32	32mm	6.496"	4.134"	2.717"
CAT50-C2-125U	KM2	1.000-2.000"	9HC50	2.000"	4.921"	3.228"	4.134"



Note: Spanner wrench not included.

Accessories:





CAT Milling Chucks

CAT40 - DIN



Part Number	Collet Size 	Clamping Range	Spanner Wrench 	d	L	L1	D
CAT40-C3/4F-85U	KM3/4	0.125-0.750"	9HC22	0.750"	3.346"	3.150"	2.047"
CAT40-C3/4F-105U	KM3/4	0.125-0.750"	9HC22	0.750"	4.134"	3.150"	2.047"
CAT40-C1F-105U	KM1	0.125-1.000"	9HC25	1.000"	4.134"	3.150"	2.362"
CAT40-C1F-85U	KM1	0.125-1.000"	9HC25	1.000"	3.346"	3.150"	2.362"
CAT40-C1.1/4SLF-105U	KM1-1/4	0.187-1.250"	9HC32	1.250"	4.134"	3.543"	2.717"
CAT40-C1.1/4SLF-120U	KM1-1/4	0.187-1.250"	9HC32	1.250"	4.724"	4.134"	2.717"

CAT50 - DIN



Part Number	Collet Size 	Clamping Range	Spanner Wrench 	d	L	L1	D
CAT50-C3/4F-105U	KM3/4	0.125-0.750"	9HC22	0.750"	4.134"	3.150"	2.047"
CAT50-C3/4F-135U	KM3/4	0.125-0.750"	9HC22	0.750"	5.315"	3.150"	2.047"
CAT50-C1F-105U	KM1	0.125-1.000"	9HC25	1.000"	4.134"	3.150"	2.362"
CAT50-C1F-135U	KM1	0.125-1.000"	9HC25	1.000"	5.315"	3.150"	2.362"
CAT50-C1.1/4F-105U	KM1-1/4	0.187-1.250"	9HC32	1.250"	4.134"	4.134"	2.717"
CAT50-C1.1/4F-135U	KM1-1/4	0.187-1.250"	9HC32	1.250"	5.315"	4.134"	2.717"

Note: Spanner wrench not included.

CAT40 High Speed

Part Number	Collet Size 	Clamping Range	Wrench 	d	L	L1	D
CAT40-C3/4-85UG	KM3/4	0.125 - 0.750"	GH20	0.750"	3.346"	3.150"	1.890"
CAT40-C3/4-105UG	KM3/4	0.125 - 0.750"	GH20	0.750"	4.134"	3.150"	1.890"
CAT40-C1-85UG	KM1	0.125 - 1.000"	GH25	1.000"	3.346"	3.150"	2.165"
CAT40-C1-105UG	KM1	0.125 - 1.000"	GH25	1.000"	4.134"	3.150"	2.165"
CAT40-C1.1/4-105UG	KM1.1/4	0.187 - 1.250"	GH32	1.250"	4.134"	2.500"	2.677"
CAT40-C1.1/4-120UG	KM1.1/4	0.187 - 1.250"	GH32	1.250"	4.724"	3.150"	2.677"

CAT50 High Speed

Part Number	Collet Size 	Clamping Range	Wrench 	d	L	L1	D
CAT50-C3/4-105UG	KM3/4	0.125 - 0.750"	GH20	0.750"	4.134"	3.150"	1.890"
CAT50-C3/4-135UG	KM3/4	0.125 - 0.750"	GH20	0.750"	5.315"	3.150"	1.890"
CAT50-C1-105UG	KM1	0.125 - 1.000"	GH25	1.000"	4.134"	3.150"	2.165"
CAT50-C1-135UG	KM1	0.125 - 1.000"	GH25	1.000"	5.315"	3.150"	2.165"
CAT50-C1.1/4-105UG	KM1.1/4	0.187 - 1.250"	GH32	1.250"	4.134"	4.134"	2.677"
CAT50-C1.1/4-135UG	KM1.1/4	0.187 - 1.250"	GH32	1.250"	5.315"	4.134"	2.677"

Note: High-speed wrench not included.

3-Lock Milling Chuck Holders for Dual Contact Spindle

3-Lock Milling Chuck Holders are available from stock and feature Nikken unique Triple Contact System. Please refer to page 239 in our technical section to learn more about Nikken's revolutionary 3-Lock System and tooling line.

Accessories:



KM and NK Collets
Page 155-156



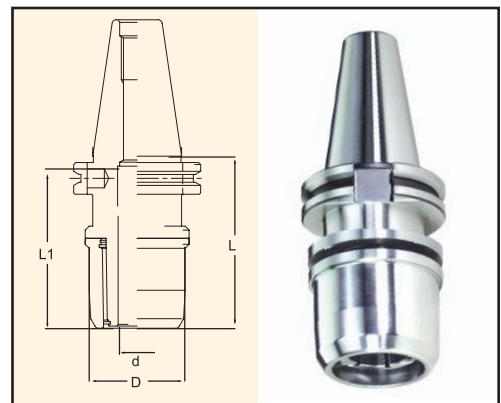
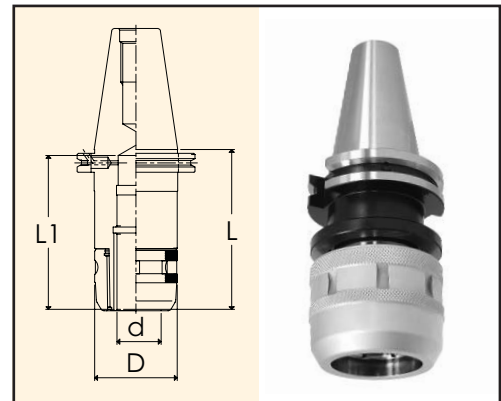
Spanner Wrench
Page 159



Back-Up Screw
Page 159



Coolant-thru and slotted Nuts
Page 157-158



For a complete list of 3-Lock part numbers and pricing, please contact our office at (800) 543-6237

BT Milling Chucks

- Nikken patented design
- Nut body contact, nose clamping and anti-vibration mechanism
- Thick body and internal slots provide extremely strong chucking torque and rigidity
- Quiet and stable heavy milling
- 140% more bearing surface than competitors' milling chucks



TIR: 0.0002" at 4xD



Speed: up to 20,000 rpm



Set-up: quick and easy



Coolant-thru: thru-tool coolant



Drilling
★★★★☆





Milling
★★★★★





Reaming
★★★★☆

Please note that the maximum RPM listed in our catalog may vary depending on the toolholder shank, weight, balanceability and the G rating.

BT30



Part Number	Collet Size 	Clamping Range	Spanner Wrench 	d	L	L1	D
BT30-C3/4-75	KM3/4	0.125-0.750"	9HC22	0.750"	2.953"	3.150"	2.047"

BT40

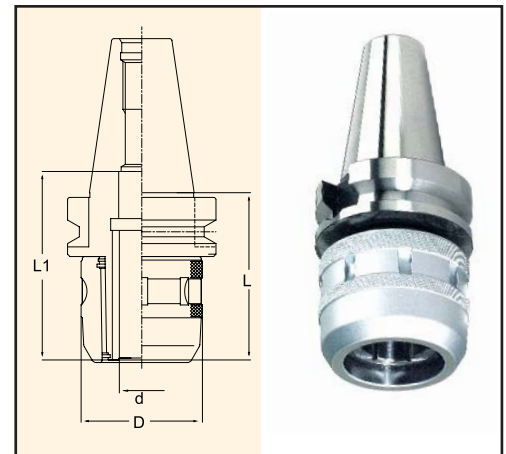
Part Number	Collet Size 	Clamping Range	Spanner Wrench 	d	L	L1	D
BT40-C3/4-70	KM3/4	0.125-0.750"	9HC22	0.750"	2.756"	3.150"	2.047"
BT40-C3/4-105	KM3/4	0.125-0.750"	9HC22	0.750"	4.134"	3.150"	2.047"
BT40-C1-70	KM1	0.125-1.000"	9HC25	1.000"	2.756"	3.150"	2.362"
BT40-C1-90	KM1	0.125-1.000"	9HC25	1.000"	3.543"	3.150"	2.362"
BT40-C1.1/4-85	KM1-1/4	0.187-1.250"	9HC32	1.250"	3.346"	3.031"	2.717"
BT40-C1.1/4-120	KM1-1/4	0.187-1.250"	9HC32	1.250"	4.724"	4.134"	2.717"
BT40-C32-105	KM32	3mm - 32mm	9HC32	32mm	4.134"	3.543"	2.717"

Note: Shaded red row indicates stubby style.

BT50

Part Number	Collet Size 	Clamping Range	Spanner Wrench 	d	L	L1	D
BT50-C3/4-105	KM3/4	0.125-0.750"	9HC22	0.750"	4.134"	3.150"	2.047"
BT50-C3/4-135	KM3/4	0.125-0.750"	9HC22	0.750"	5.315"	3.150"	2.047"
BT50-C1-105	KM1	0.125-1.000"	9HC25	1.000"	4.134"	3.150"	2.362"
BT50-C1-135	KM1	0.125-1.000"	9HC25	1.000"	5.315"	3.150"	2.362"
BT50-C1.1/4-90	KM1-1/4	0.187-1.250"	9HC32	1.250"	3.543"	4.134"	2.717"
BT50-C1.1/4-135	KM1-1/4	0.187-1.250"	9HC32	1.250"	5.315"	4.134"	2.717"
BT50-C2-105	KM2	1.000-2.000"	9HC50	2.000"	4.134"	3.543"	4.134"
BT50-C32-105	KM32	3mm - 32mm	9HC32	32mm	4.134"	4.134"	2.717"
BT50-C32-165	KM32	3mm - 32mm	9HC32	32mm	6.496"	4.134"	2.717"

Note: Spanner wrench not included.





Accessories:





BT Milling Chucks

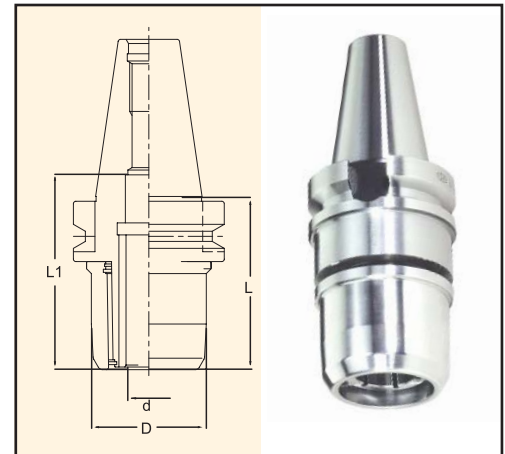
BT30 High Speed

Part Number	Collet Size 	Clamping Range	Wrench 	d	L	L1	D
BT30-C3/4-75G	KM3/4	0.125 - 0.750"	GH20	0.750"	2.953"	1.890"	3.150"



BT40 High Speed

Part Number	Collet Size 	Clamping Range	Wrench 	d	L	L1	D
BT40-C3/4-70G	KM3/4	0.125 - 0.750"	GH20	0.750"	2.795"	1.890"	3.150"
BT40-C3/4-105G	KM3/4	0.125 - 0.750"	GH20	0.750"	4.134"	1.890"	3.150"
BT40-C1-70G	KM1	0.125 - 1.000"	GH25	1.000"	2.756"	2.165"	3.150"
BT40-C1-90G	KM1	0.125 - 1.000"	GH25	1.000"	3.543"	2.165"	3.150"
BT40-C1.1/4-85G	KM1.1/4	0.187 - 1.250"	GH32	1.250"	3.346"	2.677"	3.031"
BT40-C1.1/4-120G	KM1.1/4	0.187 - 1.250"	GH32	1.250"	4.724"	2.677"	4.134"

Note: Shaded red row indicates stubby style.



BT50 High Speed

Part Number	Collet Size 	Clamping Range	Wrench 	d	L	L1	D
BT50-C3/4-105G	KM3/4	0.125 - 0.750"	GH20	0.750"	4.134"	1.890"	3.150"
BT50-C3/4-135G	KM3/4	0.125 - 0.750"	GH20	0.750"	5.315"	1.890"	3.150"
BT50-C1-105G	KM1	0.125 - 1.000"	GH25	1.000"	4.134"	2.165"	3.150"
BT50-C1-135G	KM1	0.125 - 1.000"	GH25	1.000"	5.315"	2.165"	3.150"
BT50-C1.1/4-90G	KM1.1/4	0.187 - 1.250"	GH32	1.250"	3.543"	2.677"	4.134"
BT50-C1.1/4-135G	KM1.1/4	0.187 - 1.250"	GH32	1.250"	5.315"	2.677"	4.134"

Note: High-speed spanner wrench not included.

3-Lock Milling Chuck Holders for Dual Contact Spindle

3-Lock Milling Chuck Holders are available from stock and feature Nikken unique Triple Contact System. Please refer to page 239 in our technical section to learn more about Nikken's revolutionary 3-Lock System and tooling line.

For a complete list of part numbers and pricing, please contact our office at (800) 543-6237



Accessories:



KM and NK Collets
Page 155-156



Spanner Wrench
Page 159



Back-Up Screw
Page 159



Coolant-thru and slotted Nuts
Page 157-158

HSK Milling Chucks

- Nikken patented design
- Nut body contact, nose clamping and anti-vibration mechanism
- Thick body and internal slots provide extremely strong chucking torque and rigidity
- Quiet and stable heavy milling
- 140% more bearing surface than competitors' milling chucks



TIR: 0.0002" at 4xD



Speed: up to 20,000 rpm



Set-up: quick and easy



Coolant-thru: thru-tool coolant



Drilling
★★★★☆





Milling
★★★★★



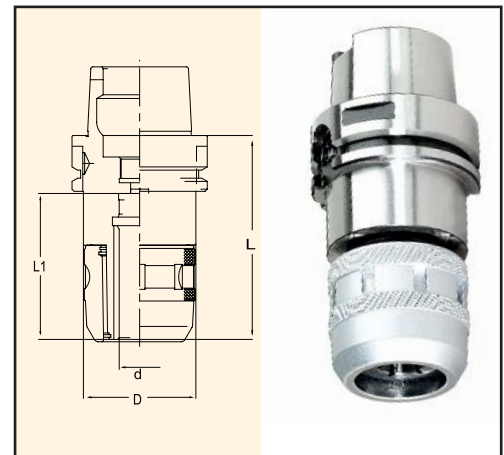
Reaming
★★★★☆

Please note that the maximum RPM listed in our catalog may vary depending on the toolholder shank, weight, balanceability and the G rating.



HSK63A

Part Number	Collet Size 	Clamping Range	Spanner Wrench 	d	L	L1	D
HSK63A-C3/4-95	KM3/4	0.125-0.750"	9HC22	0.750"	3.740"	2.480"	2.047"
HSK63A-C3/4-110	KM3/4	0.125-0.750"	9HC22	0.750"	4.331"	3.150"	2.047"
HSK63A-C1-100	KM1	0.125-1.000"	9HC25	1.000"	3.937"	2.972"	2.362"
HSK63A-C1-130	KM1	0.125-1.000"	9HC25	1.000"	5.118"	3.150"	2.362"
HSK63A-C1.1/4-110	KM1-1/4	0.187-1.250"	9HC32	1.250"	4.331"	3.268"	2.717"
HSK63A-C1.1/4-130	KM1-1/4	0.187-1.250"	9HC32	1.250"	5.118"	3.189"	2.717"
HSK63A-C32-130	KM32	3mm - 32mm	9HC32	32mm	5.118"	4.055"	2.717"

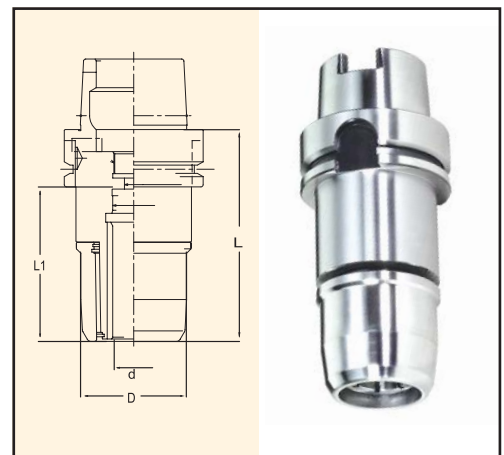
Note: Spanner wrench, coolant tube and coolant tube wrench not included. Please see page 159 for more details.



HSK63A High Speed

Part Number	Collet Size 	Clamping Range	Wrench 	d	L	L1	D
HSK63A-C3/4-95G	KM3/4	0.125 - 0.750"	GH20	0.750"	3.740"	2.244"	1.890"
HSK63A-C3/4-110G	KM3/4	0.125 - 0.750"	GH20	0.750"	4.331"	2.244"	1.890"
HSK63A-C1-100G	KM1	0.125 - 1.000"	GH25	1.000"	3.937"	2.362"	2.165"
HSK63A-C1-130G	KM1	0.125 - 1.000"	GH25	1.000"	5.118"	2.362"	2.165"
HSK63A-C1.1/4-110G	KM1.1/4	0.187 - 1.250"	GH32	1.250"	4.331"	2.559"	2.677"
HSK63A-C1.1/4-130G	KM1.1/4	0.187 - 1.250"	GH32	1.250"	5.118"	2.756"	2.677"

Note: High-speed wrench, coolant tube and coolant tube wrench not included. Please see page 159 for more details.





Accessories:

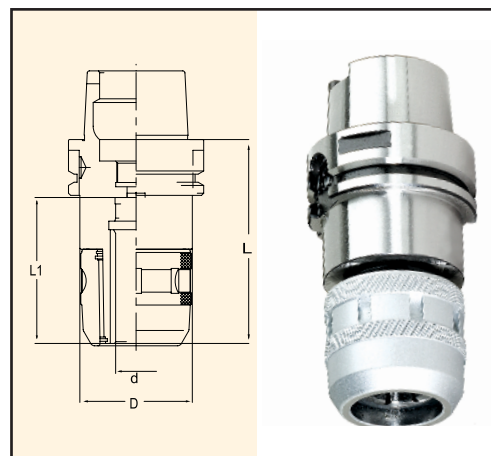


HSK Milling Chucks



HSK100A

Part Number	Collet Size 	Clamping Range	Spanner Wrench 	d	L	L1	D
HSK100A-C3/4-115	KM3/4	0.125-0.750"	9HC22	0.750"	4.528"	3.150"	2.047"
HSK100A-C3/4-135	KM3/4	0.125-0.750"	9HC22	0.750"	5.315"	3.150"	2.047"
HSK100A-C1-115	KM1	0.125-1.000"	9HC25	1.000"	4.528"	3.150"	2.362"
HSK100A-C1-135	KM1	0.125-1.000"	9HC25	1.000"	5.315"	3.150"	2.362"
HSK100A-C1.1/4-115	KM1-1/4	0.187-1.250"	9HC32	1.250"	4.528"	3.268"	2.717"
HSK100A-C1.1/4-165	KM1-1/4	0.187-1.250"	9HC32	1.250"	6.496"	3.189"	2.717"
HSK100A-C32-135	KM32	3mm - 32mm	9HC32	32mm	5.315"	4.055"	2.717"
HSK100A-C2-125	KM2	1.000-2.000"	9HC50	2.000"	4.921"	3.543"	4.134"

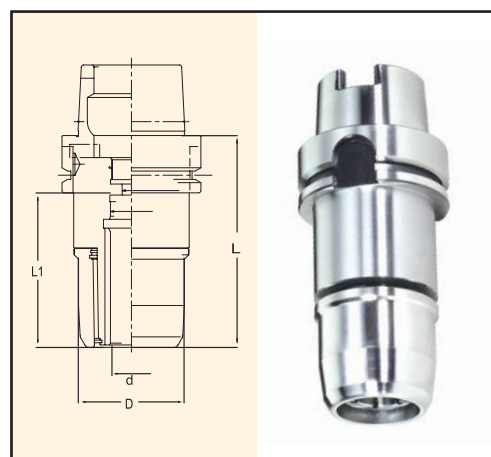
Note: Spanner wrench, coolant tube and coolant tube wrench not included. Please see page 159 for more details





HSK100A High Speed

Part Number	Collet Size 	Clamping Range	Wrench 	d	L	L1	D
HSK100A-C3/4-115G	KM3/4	0.125 - 0.750"	GH20	0.750"	4.528"	2.244"	1.890"
HSK100A-C3/4-135G	KM3/4	0.125 - 0.750"	GH20	0.750"	5.315"	2.244"	1.890"
HSK100A-C1-115G	KM1	0.125 - 1.000"	GH25	1.000"	4.528"	2.362"	2.165"
HSK100A-C1-135G	KM1	0.125 - 1.000"	GH25	1.000"	5.315"	2.362"	2.165"
HSK100A-C1.1/4-115G	KM1.1/4	0.187 - 1.250"	GH32	1.250"	4.528"	2.559"	2.677"
HSK100A-C1.1/4-165G	KM1.1/4	0.187 - 1.250"	GH32	1.250"	6.496"	2.756"	2.677"

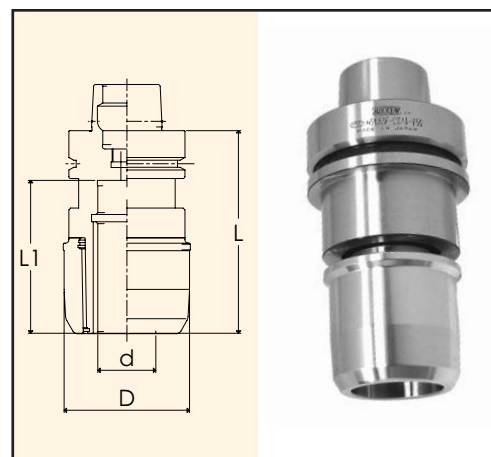
Note: High-speed wrench, coolant tube and coolant tube wrench not included. Please see page 159 for more details.



HSK63F High Speed

Part Number	Collet Size 	Clamping Range	Wrench 	d	L	L1	D
HSK63F-C3/4-95G	KM3/4	0.125-0.750"	GH22	0.750"	3.740"	2.677"	1.890"
HSK63F-C1-100G	KM1	0.125-1.000"	GH25	1.000"	3.937"	2.952"	2.165"
HSK63F-C1.1/4-110G	KM1.1/4	0.187-1.250"	GH32	1.250"	4.331"	3.267"	2.677"

Note: High-speed wrench, coolant tube and coolant tube wrench not included. Please see page 159 for more details.



Accessories:



KM and NK Collets
Page 155-156



Spanner Wrench
Page 159



Back-Up Screw
Page 159



Coolant-thru and slotted Nuts
Page 157-158

NMTB Milling Chucks

- Nikken patented design
- Nut body contact, nose clamping and anti-vibration mechanism
- Thick body and internal slots provide extremely strong chucking torque and rigidity
- Quiet and stable heavy milling
- 140% more bearing surface than competitors' milling chucks



TIR: 0.0002" at 4xD



Speed: up to 20,000 rpm



Set-up: quick and easy



Coolant-thru: thru-tool coolant



Drilling
★★★★☆





Milling
★★★★★





Reaming
★★★★☆

Please note that the maximum RPM listed in our catalog may vary depending on the toolholder shank, weight, balanceability and the G rating.

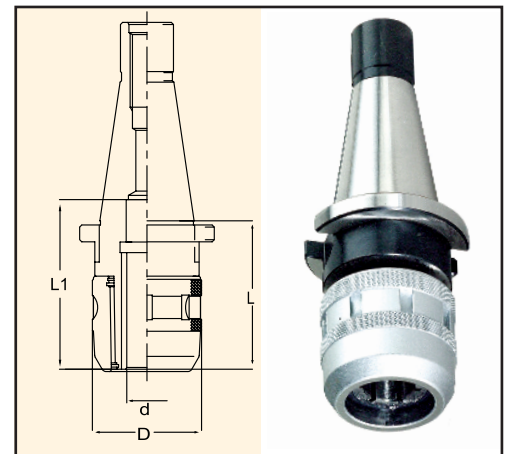
NMTB40

Part Number	Collet Size 	Clamping Range	Spanner Wrench 	d	L	L1	D
NMTB40-C3/4-70	KM3/4	0.125-0.750"	9HC22	0.750"	2.756"	3.150"	2.047"
NMTB40-C1.1/4-105	KM1-1/4	0.187-1.250"	9HC25	1.250"	4.134"	3.150"	2.717"

NMTB50

Part Number	Collet Size 	Clamping Range	Spanner Wrench 	d	L	L1	D
NMTB50-C3/4-65	KM3/4	0.125-0.750"	9HC22	0.750"	2.559"	3.150"	2.047"
NMTB50-C1.1/4-90	KM1-1/4	0.187-1.250"	9HC25	1.250"	3.543"	4.134"	2.717"
NMTB50-C2-105	KM2	1.000-2.000"	9HC50	2.000"	4.134"	3.543"	4.134"

Note: Spanner wrench not included
All NMTB shanks are suitable for use with Erickson QC spindles.

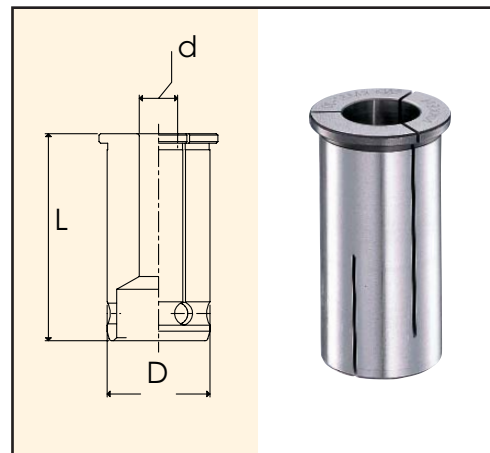


Accessories:



KM Collets

Milling chuck collets are designed to ensure uniform fit around the cutting tool shank. This provides maximum gripping power as well as concentric positioning of the cutting tool.



Collet Series	L	D	Collet Range
KM3/4	2.08" (53mm)	0.98" (25mm)	1/8" - 5/8"
KM1	2.32" (59mm)	1.14" (29mm)	1/8" - 7/8"
KM1.1/4	2.53" (64.5mm)	1.45" (37mm)	3/16" - 1"
KM2	3.26" (83mm)	2.28" (58mm)	1" - 1.1/2"
KM32mm	2.53" (64.5mm)	1.45" (37mm)	3/16" - 1"

KM collets do not collapse.

Collet Series	INCH		METRIC	
	Size	Part Number	Size	Part Number
3/4"	1/8"	KM3/4-1/8	6mm	KM3/4-6
	3/16"	KM3/4-3/16	7mm	KM3/4-7
	1/4"	KM3/4-1/4	8mm	KM3/4-8
	5/16"	KM3/4-5/16	10mm	KM3/4-10
	3/8"	KM3/4-3/8	12mm	KM3/4-12
	7/16"	KM3/4-7/16	14mm	KM3/4-14
	1/2"	KM3/4-1/2	16mm	KM3/4-16
	9/16"	KM3/4-9/16	-	-
1"	5/8"	KM3/4-5/8	-	-
	1/8"	KM1-1/8	6mm	KM1-6
	3/16"	KM1-3/16	8mm	KM1-8
	1/4"	KM1-1/4	10mm	KM1-10
	5/16"	KM1-5/16	12mm	KM1-12
	3/8"	KM1-3/8	14mm	KM1-14
	7/16"	KM1-7/16	16mm	KM1-16
	1/2"	KM1-1/2	18mm	KM1-18
	5/8"	KM1-5/8	20mm	KM1-20
	3/4"	KM1-3/4	-	-
1.1/4"	7/8"	KM1-7/8	-	-
	3/16"	KM1.1/4-3/16	6mm	KM1.1/4-6
	1/4"	KM1.1/4-1/4	8mm	KM1.1/4-8
	5/16"	KM1.1/4-5/16	10mm	KM1.1/4-10
	3/8"	KM1.1/4-3/8	12mm	KM1.1/4-12
	7/16"	KM1.1/4-7/16	14mm	KM1.1/4-14
	1/2"	KM1.1/4-1/2	16mm	KM1.1/4-16
	9/16"	KM1.1/4-9/16	20mm	KM1.1/4-20
	5/8"	KM1.1/4-5/8	25mm	KM1.1/4-25
	3/4"	KM1.1/4-3/4	-	-
	7/8"	KM1.1/4-7/8	-	-
1"	KM1.1/4-1	-	-	

Collet Series	INCH		METRIC	
	Size	Part Number	Size	Part Number
32mm	3/16"	KM32-3/16	6mm	KM32-6
	1/4"	KM32-1/4	8mm	KM32-8
	5/16"	KM32-5/16	10mm	KM32-10
	3/8"	KM32-3/8	12mm	KM32-12
	7/16"	KM32-7/16	14mm	KM32-14
	1/2"	KM32-1/2	16mm	KM32-16
	9/16"	KM32-9/16	20mm	KM32-20
	5/8"	KM32-5/8	25mm	KM32-25
	3/4"	KM32-3/4	26mm	KM32-26
	7/8"	KM32-7/8	-	-
2"	1"	KM2-1	-	-
	1-1/4"	KM2-1-1/4	-	-
	1-1/2"	KM2-1-1/2	-	-

KM Collet Set

Part Number	Description
KM3/4-09S	9 piece set 1/8" - 5/8"
KM3/4-07S	7 piece set 6mm -16mm
KM1-10S	10 piece set 1/8" - 7/8"
KM1-08S	8 piece set 6mm - 20mm
KM1.1/4-11S	11 piece set 3/16" - 1"
KM1.1/4-08S	8 piece set 6mm - 25mm
KM32-11S	11 piece set 3/16" - 1"
KM32-09S	9 piece set 6mm - 26mm

Accessories:



KM and NK Collets
Page 155-156



Spanner Wrench
Page 159



Back-Up Screw
Page 159

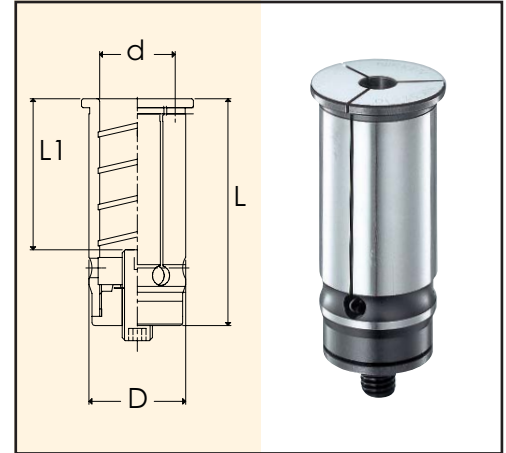


Coolant-thru and Slotted Nuts
Page 157-158

NK Collets - Depth Adjustable

Collet Series	D	L	L1	Collet Range
NK3/4	0.98" (25mm)	2.4" (63mm)	50mm max. depth	1/8" - 5/8"
NK1	1.14" (29mm)	2.67" (68mm)	55mm max. depth	1/8" - 7/8"
NK1.1/4	1.45" (37mm)	2.96" (75.3mm)	61mm max. depth	3/16" - 1"
NK2	2.28" (58mm)	3.67" (93.3mm)	79mm max. depth	1" - 1.1/2"
NK32mm	1.45" (37mm)	2.96" (75.3mm)	61mm max. depth	3/16" - 1"

Cutter length adjustment on the collet is possible from front and back.



Collet Series	INCH		METRIC	
	Size	Part Number	Size	Part Number
3/4"	1/8"	NK3/4-1/8	6mm	NK3/4-6
	3/16"	NK3/4-3/16	7mm	NK3/4-7
	1/4"	NK3/4-1/4	8mm	NK3/4-8
	5/16"	NK3/4-5/16	10mm	NK3/4-10
	3/8"	NK3/4-3/8	12mm	NK3/4-12
	7/16"	NK3/4-7/16	14mm	NK3/4-14
	1/2"	NK3/4-1/2	16mm	NK3/4-16
	9/16"	NK3/4-9/16	-	-
	5/8"	NK3/4-5/8	-	-
1"	1/8"	NK1-1/8	6mm	NK1-6
	3/16"	NK1-3/16	8mm	NK1-8
	1/4"	NK1-1/4	10mm	NK1-10
	5/16"	NK1-5/16	12mm	NK1-12
	3/8"	NK1-3/8	14mm	NK1-14
	7/16"	NK1-7/16	16mm	NK1-16
	1/2"	NK1-1/2	18mm	NK1-18
	5/8"	NK1-5/8	20mm	NK1-20
	3/4"	NK1-3/4	-	-
1.1/4"	3/16"	NK1.1/4-3/16	6mm	NK1.1/4-6
	1/4"	NK1.1/4-1/4	8mm	NK1.1/4-8
	5/16"	NK1.1/4-5/16	10mm	NK1.1/4-10
	3/8"	NK1.1/4-3/8	12mm	NK1.1/4-12
	7/16"	NK1.1/4-7/16	14mm	NK1.1/4-14
	1/2"	NK1.1/4-1/2	16mm	NK1.1/4-16
	9/16"	NK1.1/4-9/16	20mm	NK1.1/4-20
	5/8"	NK1.1/4-5/8	25mm	NK1.1/4-25
	3/4"	NK1.1/4-3/4	-	-
	7/8"	NK1.1/4-7/8	-	-
1"	NK1.1/4-1	-	-	

Collet Series	INCH		METRIC	
	Size	Part Number	Size	Part Number
32mm	3/16"	NK32-3/16	6mm	NK32-6
	1/4"	NK32-1/4	8mm	NK32-8
	5/16"	NK32-5/16	10mm	NK32-10
	3/8"	NK32-3/8	12mm	NK32-12
	7/16"	NK32-7/16	14mm	NK32-14
	1/2"	NK32-1/2	16mm	NK32-16
	9/16"	NK32-9/16	20mm	NK32-20
	5/8"	NK32-5/8	25mm	NK32-25
	3/4"	NK32-3/4	26mm	NK32-26
	7/8"	NK32-7/8	-	-
2"	1"	NK32-1	-	-
	1-1/4"	NK2-1-1/4	-	-
	1-1/2"	NK2-1-1/2	-	-

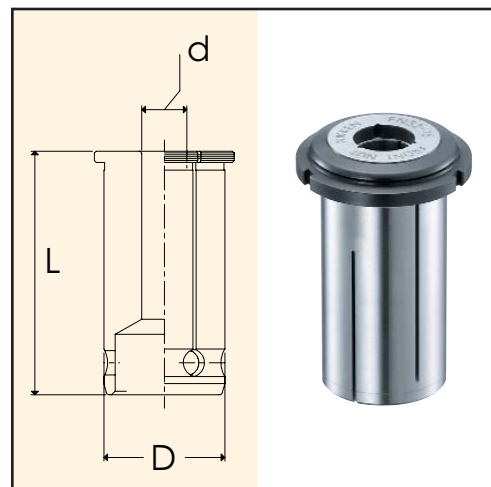
Accessories:



CCK Coolant Collet System

Milling Chucks

Collet Series	L	D	Collet Range
3/4"	2.08" (53mm)	0.98" (25mm)	1/8" - 5/8"
1"	2.32" (59mm)	1.14" (29mm)	1/8" - 7/8"
1.1/4"	2.53" (64.5mm)	1.45" (37mm)	3/16" - 1"
2"	3.26" (83mm)	2.28" (58mm)	1" - 1.1/2"
32mm	2.53" (64.5mm)	1.45" (37mm)	3/16" - 1"



Collet series	Size	Coolant Collet	Coolant-Thru Nut	Slotted Nut	Disc Wrench
3/4"	1/8"	CCK3/4-1/8	CKFN3/4-1/8C	CKFN3/4-1/8	CCKL20
	3/16"	CCK3/4-3/16	CKFN3/4-3/16C	CKFN3/4-3/16	
	1/4"	CCK3/4-1/4	CKFN3/4-1/4C	CKFN3/4-1/4	
	5/16"	CCK3/4-5/16	CKFN3/4-5/16C	CKFN3/4-5/16	
	3/8"	CCK3/4-3/8	CKFN3/4-3/8C	CKFN3/4-3/8	
	7/16"	CCK3/4-7/16	CKFN3/4-7/16C	CKFN3/4-7/16	
	1/2"	CCK3/4-1/2	CKFN3/4-1/2C	CKFN3/4-1/2	
	9/16"	CCK3/4-9/16	CKFN3/4-9/16C	CKFN3/4-9/16	
	5/8"	CCK3/4-5/8	CKFN3/4-5/8C	CKFN3/4-5/8	
	6mm	CCK3/4-6	CKFN3/4-6C	CKFN3/4-6	
	7mm	CCK3/4-7	CKFN3/4-7C	CKFN3/4-7	
	8mm	CCK3/4-8	CKFN3/4-8C	CKFN3/4-8	
	10mm	CCK3/4-10	CKFN3/4-10C	CKFN3/4-10	
	12mm	CCK3/4-12	CKFN3/4-12C	CKFN3/4-12	
	14mm	CCK3/4-14	CKFN3/4-14C	CKFN3/4-14	
	16mm	CCK3/4-16	CKFN3/4-16C	CKFN3/4-16	
1"	1/8"	CCK1-1/8	CKFN1-1/8C	CKFN1-1/8	CCKL25
	3/16"	CCK1-3/16	CKFN1-3/16C	CKFN1-3/16	
	1/4"	CCK1-1/4	CKFN1-1/4C	CKFN1-1/4	
	5/16"	CCK1-5/16	CKFN1-5/16C	CKFN1-5/16	
	3/8"	CCK1-3/8	CKFN1-3/8C	CKFN1-3/8	
	7/16"	CCK1-7/16	CKFN1-7/16C	CKFN1-7/16	
	1/2"	CCK1-1/2	CKFN1-1/2C	CKFN1-1/2	
	5/8"	CCK1-5/8	CKFN1-5/8C	CKFN1-5/8	
	3/4"	CCK1-3/4	CKFN1-3/4C	CKFN1-3/4	
	7/8"	CCK1-7/8	CKFN1-7/8C	CKFN1-7/8	
	6mm	CCK1-6	CKFN1-6C	CKFN1-6	
	8mm	CCK1-8	CKFN1-8C	CKFN1-8	
	10mm	CCK1-10	CKFN1-10C	CKFN1-10	

CCK Coolant Collet System (cont.)

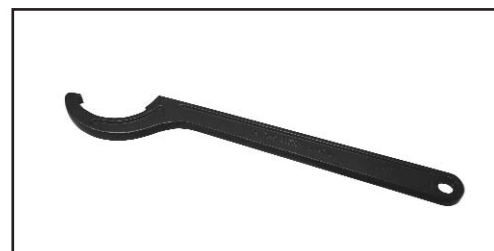


Collet series	Size	Coolant Collet	Coolant-Thru Nut	Slotted Nut	Disc Wrench
1"	12mm	CCK1-12	CKFN1-12C	CKFN1-12	CCKL25
	14mm	CCK1-14	CKFN1-14C	CKFN1-14	
	16mm	CCK1-16	CKFN1-16C	CKFN1-16	
	18mm	CCK1-18	CKFN1-18C	CKFN1-18	
	20mm	CCK1-20	CKFN1-20C	CKFN1-20	
1.1/4"	3/16"	CCK1.1/4-3/16	CKFN1.1/4-3/16C	CKFN1.1/4-3/16	CCKL32
	1/4"	CCK1.1/4-1/4	CKFN1.1/4-1/4C	CKFN1.1/4-1/4	
	5/16"	CCK1.1/4-5/16	CKFN1.1/4-5/16C	CKFN1.1/4-5/16	
	3/8"	CCK1.1/4-3/8	CKFN1.1/4-3/8C	CKFN1.1/4-3/8	
	7/16"	CCK1.1/4-7/16	CKFN1.1/4-7/16C	CKFN1.1/4-7/16	
	1/2"	CCK1.1/4-1/2	CKFN1.1/4-1/2C	CKFN1.1/4-1/2	
	9/16"	CCK1.1/4-9/16	CKFN1.1/4-9/16C	CKFN1.1/4-9/16	
	5/8"	CCK1.1/4-5/8	CKFN1.1/4-5/8C	CKFN1.1/4-5/8	
	3/4"	CCK1.1/4-3/4	CKFN1.1/4-3/4C	CKFN1.1/4-3/4	
	7/8"	CCK1.1/4-7/8	CKFN1.1/4-7/8C	CKFN1.1/4-7/8	
	1"	CCK1.1/4-1	CKFN1.1/4-1C	CKFN1.1/4-1	
	6mm	CCK1.1/4-6	CKFN1.1/4-6C	CKFN1.1/4-6	
	8mm	CCK1.1/4-8	CKFN1.1/4-8C	CKFN1.1/4-8	
	10mm	CCK1.1/4-10	CKFN1.1/4-10C	CKFN1.1/4-10	
	12mm	CCK1.1/4-12	CKFN1.1/4-12C	CKFN1.1/4-12	
	14mm	CCK1.1/4-14	CKFN1.1/4-14C	CKFN1.1/4-14	
	16mm	CCK1.1/4-16	CKFN1.1/4-16C	CKFN1.1/4-16	
	20mm	CCK1.1/4-20	CKFN1.1/4-20C	CKFN1.1/4-20	
	25mm	CCK1.1/4-25	CKFN1.1/4-25C	CKFN1.1/4-25	
2"	1"	CCK2-1	CKFN2-1C	CKFN2-1	CCKL50
	1-1/4"	CCK2-1.1/4	CKFN2-1.1/4C	CKFN2-1.1/4	
	1-1/2"	CCK2-1.1/2	CKFN2-1.1/2C	CKFN2-1.1/2	
32mm	3/16"	CCK32-3/16	CKFN32-3/16C	CKFN32-3/16	CCKL32
	1/4"	CCK32-1/4	CKFN32-1/4C	CKFN32-1/4	
	5/16"	CCK32-5/16	CKFN32-5/16C	CKFN32-5/16	
	3/8"	CCK32-3/8	CKFN32-3/8C	CKFN32-3/8	
	7/16"	CCK32-7/16	CKFN32-7/16C	CKFN32-7/16	
	1/2"	CCK32-1/2	CKFN32-1/2C	CKFN32-1/2	
	9/16"	CCK32-9/16	CKFN32-9/16C	CKFN32-9/16	
	5/8"	CCK32-5/8	CKFN32-5/8C	CKFN32-5/8	
	3/4"	CCK32-3/4	CKFN32-3/4C	CKFN32-3/4	
	7/8"	CCK32-7/8	CKFN32-7/8C	CKFN32-7/8	
	1"	CCK32-1	CKFN32-1C	CKFN32-1	
	6mm	CCK32-6	CKFN32-6C	CKFN32-6	
	8mm	CCK32-8	CKFN32-8C	CKFN32-8	
	10mm	CCK32-10	CKFN32-10C	CKFN32-10	
	12mm	CCK32-12	CKFN32-12C	CKFN32-12	
	14mm	CCK32-14	CKFN32-14C	CKFN32-14	
	16mm	CCK32-16	CKFN32-16C	CKFN32-16	
	20mm	CCK32-20	CKFN32-20C	CKFN32-20	
	25mm	CCK32-25	CKFN32-25C	CKFN32-25	

Accessories

Wrench

Standard style Part Number	High Speed style Part Number	Use with
9HC22	GH20	3/4" milling chuck
9HC25	GH25	1" milling chuck
9HC32	GH32 GH32S	1.1/4" and 32mm milling chuck - OD = 68mm 1.1/4" and 32mm milling chuck - OD = 62-64mm
9HC50	-	2" milling chuck



Back-Up Screw

Standard style Part Number	Coolant-thru style Part Number	Use with
750TL-3	750TL-3(C)	3/4" milling chuck
1000TL-3	1000TL-3(C)	1" milling chuck
1250TL-2	1250TL-2(C)	1.1/4" milling chuck with ID depth of 77mm or less
1250TL-3	1250TL-3(C)	1.1/4" milling chuck with ID depth of 105mm or more



Coolant Tube for HSK Holders

Part Number	Description
HSK63-TUBE	Coolant tube for HSK63 Holders
HSK100-TUBE	Coolant tube for HSK100 Holders



Coolant Tube Wrench for HSK Holders

Coolant tube wrenches are needed to remove or install coolant tubes in HSK toolholders

Part Number	Description
HSK63-WRENCH	Wrench for HSK63 Coolant Tube
HSK100-WRENCH	Wrench for HSK100 Coolant Tube



Direct Chucking Nut

For more information on direct chucking accessories for 32mm milling chucks, please call us at: (800) 543-6237.

