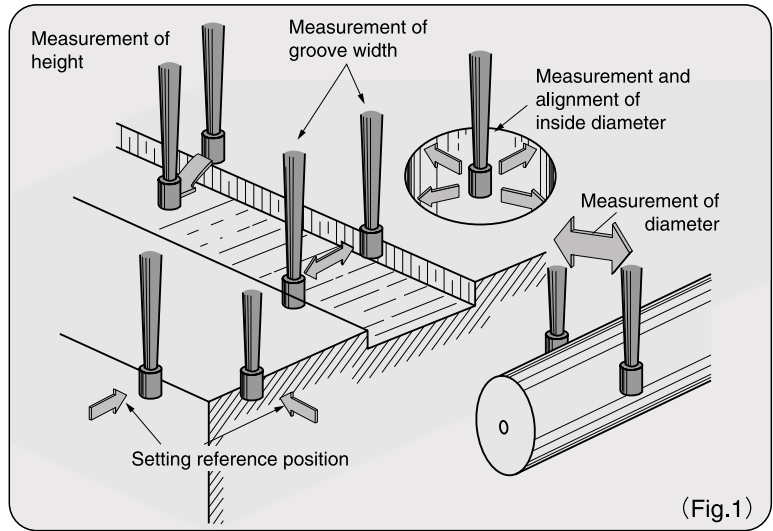
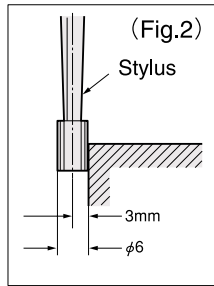


Thank you for your purchase of NIKKEN products. We can recommend our products with our confidence, however, please read this manual for long terms. And, please keep it where the operator can refer to it whenever necessary.

■ HOW TO KNOW THE TOUCHING POSITION

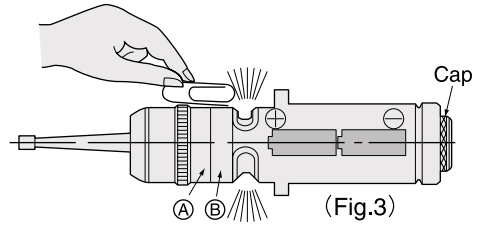
When the stylus is slowly touched to the measuring surface as shown in Fig.2, the red lamp (LED) will light immediately after touching.

A position where a half of the stylus diameter is compensated from the touching position, will become the touching position.



■ ENSUREMENT OF LIGHTING

Insert the dry cells as shown in the figure and ensure the red lamp lights by short-circuiting the (A) and (B) parts with a metal piece such as a crip, an L-wrench etc.



■ HOW TO EXCHANGE THE DRY CELLS

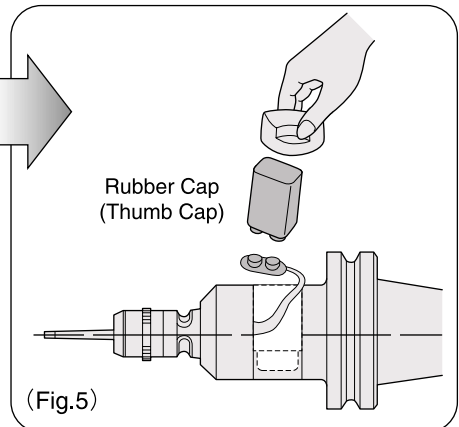
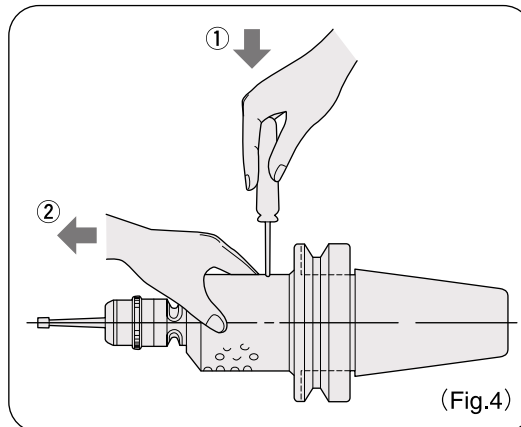
● In case of the K20 & K32 shank

Remove the cap as shown in Fig.3 and exchange the dry cells paying attention to their polarities.

● In case of the BT shank (see Fig.4 , Fig.5)

Pull the cover in the direction of arrow ② while pushing the stopper ball with a thin bar such as a slender screw driver ①, and the dry cells can be exchanged as shown by Fig.5.

SHANK	DRY CELL
K20 & K32 shanks	Quintuple cell type:2pcs.
BT shank	S-006P-9V type:1pcs.



⚠ CAUTION

- MICRO-TOUCH can not be used for the work piece without conductivity.
- Please avoid to use under presence of coolant.
- Quotation fee of the repair is always necessary whether repair or not.

NIKKEN NIKKEN KOSAKUSHO WORKS, LTD.

Head office : 5-1, 1-chome, Minamishinden, Daito, Osaka, Japan

Tel : 072-869-5820 Fax : 072-869-6220

http://www.nikken-world.com
e-mail : export@nikken-kosakusho.co.jp