

R8/5C/3J/16C COLLETS



R8/5C/3J/16C

R8/5C/3J/16C COLLETS



R8 COLLETS

| Part Number (Inch) | Size | Part Number (Inch) | Size | Part Number (Inch) | Size |
|--------------------|--------|--------------------|--------|--------------------|--------|
| 800-004 | 1/16" | 800-024 | 3/8" | 800-044 | 11/16" |
| 800-006 | 3/32" | 800-026 | 13/32" | 800-046 | 23/32" |
| 800-008 | 1/8" | 800-028 | 7/16" | 800-048 | 3/4" |
| 800-010 | 5/32" | 800-030 | 15/32" | 800-050* | 25/32" |
| 800-012 | 3/16" | 800-032 | 1/2" | 800-052* | 13/16" |
| 800-014 | 7/32" | 800-034 | 17/32" | 800-054* | 27/32" |
| 800-016 | 1/4" | 800-036 | 9/16" | 800-056* | 7/8" |
| 800-018 | 9/32" | 800-038 | 19/32" | 800-064* | 1" |
| 800-020 | 5/16" | 800-040 | 5/8" | | |
| 800-022 | 11/32" | 800-042 | 21/32" | | |

Note:

- *Cannot be used with cutting tools that have notches, flats, or Weldon Shank. We recommend using End Mill Holders.
- Limited cutting tool shank insertion depth. See drawings on website.

| Part Number (Metric) | Size | Part Number (Metric) | Size | Part Number (Metric) | Size |
|----------------------|------|----------------------|------|----------------------|------|
| 820-003 | 3mm | 820-009 | 9mm | 820-015 | 15mm |
| 820-004 | 4mm | 820-010 | 10mm | 820-016 | 16mm |
| 820-005 | 5mm | 820-011 | 11mm | 820-017 | 17mm |
| 820-006 | 6mm | 820-012 | 12mm | 820-018 | 18mm |
| 820-007 | 7mm | 820-013 | 13mm | 820-019 | 19mm |
| 820-008 | 8mm | 820-014 | 14mm | 820-020* | 20mm |

Note: *Limited cutting tool shank insertion depth. See drawing for depth.

R8 COLLET SETS

| Part Number | Description | Size Range |
|---------------|-------------------------------|-------------------------------|
| 810-SET-06 | 6 Piece R8 Collet Set | 1/8" - 3/4" by 1/8ths |
| 810-SET-08 | 8 Piece R8 Collet Set | 1/8" - 1" by 1/8ths |
| 810-SET-11 | 11 Piece R8 Collet Set | 1/8" - 3/4" by 1/16ths |
| 810-SET-12 | 12 Piece R8 Collet Set | 1/8" - 3/4" by 1/16ths + 7/8" |
| 810-SET-13 | 13 Piece R8 Collet Set | 1/8" - 7/8" by 1/16ths |
| 810-SET-14 | 14 Piece R8 Collet Set | 1/16"-7/8" by 1/16ths |
| 810-SET-21 | 21 Piece R8 Collet Set | 1/8" - 3/4" by 1/32nds |
| 810-SET-23 | 23 Piece R8 Collet Set | 1/16" - 3/4" by 1/32nds |
| 810-SET-25 | 25 Piece R8 Collet Set | 1/8" - 7/8" by 1/32nds |
| 810-SET-27 | 27 Piece R8 Collet Set | 1/16" - 7/8" by 1/32nds |
| 820-SET-18-MM | 18 Piece R8 Metric Collet Set | 3 - 20mm by 1mm |

R8 COLLET RACK

| Part Number | Description |
|--------------|--|
| RACK-R8/SK20 | Metal Rack, holds 24 piece R8 Collets or R8 Chucks |



ACCURACY

| Size Range (Inch) | T.I.R. |
|-------------------|--------|
| 1/16" - 3/8" | 0.0007 |
| 13/32" - 1" | 0.0011 |

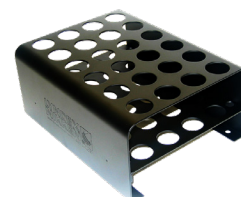
| Size Range (Metric) | T.I.R. |
|---------------------|--------|
| 3 - 10 mm | 0.0007 |
| 11 - 20mm | 0.0011 |

CUTTING TOOL SHANK TOLERANCE

| Collet Series | Gripping Range |
|---------------|----------------|
| R8 Collets | +0/- .004" |

EMERGENCY COLLETS

| Part Number (Inch) | Size |
|--------------------|---|
| 860-001S | R8 Steel Emergency Collet: 1/16" pilot hole |



R8/5C/3J/16C COLLETS



5C COLLETS

5C ROUND COLLETS

| Part Number (Inch) | Size | Part Number (Inch) | Size | Part Number (Inch) | Size |
|--------------------|--------|--------------------|--------|--------------------|---------|
| 500-003 | 3/64" | 500-027 | 27/64" | 500-051 | 51/64" |
| 500-004 | 1/16" | 500-028 | 7/16" | 500-052 | 13/16" |
| 500-005 | 5/64" | 500-029 | 29/64" | 500-053 | 53/64" |
| 500-006 | 3/32" | 500-030 | 15/32" | 500-054 | 27/32" |
| 500-007 | 7/64" | 500-031 | 31/64" | 500-055 | 55/64" |
| 500-008 | 1/8" | 500-032 | 1/2" | 500-056 | 7/8" |
| 500-009 | 9/64" | 500-033 | 33/64" | 500-057 | 57/64" |
| 500-010 | 5/32" | 500-034 | 17/32" | 500-058 | 29/32" |
| 500-011 | 11/64" | 500-035 | 35/64" | 500-059 | 59/64" |
| 500-012 | 3/16" | 500-036 | 9/16" | 500-060 | 15/16" |
| 500-013 | 13/64" | 500-037 | 37/64" | 500-061 | 61/64" |
| 500-014 | 7/32" | 500-038 | 19/32" | 500-062 | 31/32" |
| 500-015 | 15/64" | 500-039 | 39/64" | 500-063 | 63/64" |
| 500-016 | 1/4" | 500-040 | 5/8" | 500-064 | 1" |
| 500-017 | 17/64" | 500-041 | 41/64" | 500-065* | 1-1/64" |
| 500-018 | 9/32" | 500-042 | 21/32" | 500-066* | 1-1/32" |
| 500-019 | 19/64" | 500-043 | 43/64" | 500-067* | 1-3/64" |
| 500-020 | 5/16" | 500-044 | 11/16" | 500-068* | 1-1/16" |
| 500-021 | 21/64" | 500-045 | 45/64" | 500-069* | 1-5/64" |
| 500-022 | 11/32" | 500-046 | 23/32" | 500-070* | 1-3/32" |
| 500-023 | 23/64" | 500-047 | 47/64" | 500-071* | 1-7/64" |
| 500-024 | 3/8" | 500-048 | 3/4" | 500-072* | 1-1/8" |
| 500-025 | 25/64" | 500-049 | 49/64" | | |
| 500-026 | 13/32" | 500-050 | 25/32" | | |

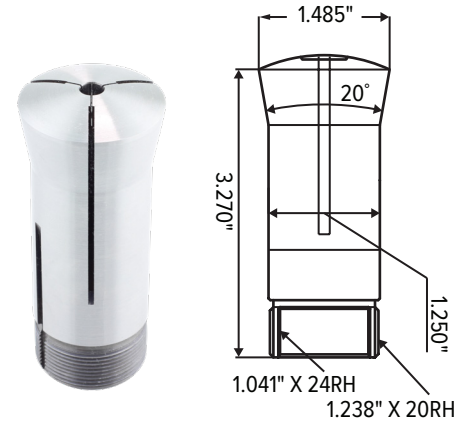
Note:

- *Collet has stepped internal diameter and cannot be used for bar feed work. Step depth approximately 40mm.

| Part Number (Metric) | Size | Part Number (Metric) | Size | Part Number (Metric) | Size |
|----------------------|------|----------------------|------|----------------------|------|
| 520-003 | 3mm | 520-011 | 11mm | 520-019 | 19mm |
| 520-004 | 4mm | 520-012 | 12mm | 520-020 | 20mm |
| 520-005 | 5mm | 520-013 | 13mm | 520-021 | 21mm |
| 520-006 | 6mm | 520-014 | 14mm | 520-022 | 22mm |
| 520-007 | 7mm | 520-015 | 15mm | 520-023 | 23mm |
| 520-008 | 8mm | 520-016 | 16mm | 520-024 | 24mm |
| 520-009 | 9mm | 520-017 | 17mm | 520-025 | 25mm |
| 520-010 | 10mm | 520-018 | 18mm | 520-026* | 26mm |

Note:

- *Collet has stepped internal diameter and cannot be used for bar feed work. Step depth approximately 40mm.



ACCURACY

| Size Range (Inch) | T.I.R |
|-------------------|--------|
| 3/64" - 25/64" | 0.0008 |
| 13/32" - 45/64" | 0.0011 |
| 23/32" - 1.1/8" | 0.0015 |

| Size Range (Metric) | T.I.R |
|---------------------|--------|
| 3 - 10mm | 0.0008 |
| 11 - 18mm | 0.0011 |
| 19 - 26mm | 0.0015 |

WORKPIECE TOLERANCE

| Collet Series | Gripping Range |
|---------------|----------------|
| 5C Collets | +0/-0.004" |

EMERGENCY COLLETS

| Part Number (Inch) | Size |
|--------------------|---|
| 560-001B | 5C Brass collet has 1/16" pilot hole |
| 560-001S | 5C Steel emergency collet has 1/16" pilot hole and hardened threads |



5C Collet Stops
Page 261



5C Collet Blocks
Page 261



5C Collet Rack
Page 261



5C Collet Wrench
Page 261

5C COLLETS

5C COLLET SETS

| Part Number | Description | Size Range |
|-----------------------|--------------------------------|-----------------------------|
| 510-SET-08 | 8 Piece 5C Collet Set | 1/8" - 1" by 1/8ths |
| 510-SET-09 | 9 Piece 5C Collet Set | 1/8" - 1-1/8" by 1/8ths |
| 510-SET-09S | 9 Piece 5C Collet Set | 1/16" + 1/8" - 1" by 1/8ths |
| 510-SET-15 | 15 Piece 5C Collet Set | 1/8" - 1" by 1/16ths |
| 510-SET-16 | 16 Piece 5C Collet Set | 1/8" - 1-1/16" by 1/16ths |
| 510-SET-16S | 16 Piece 5C Collet Set | 1/16" - 1" by 1/16ths |
| 510-SET-17 | 17 Piece 5C Collet Set | 1/16" - 1-1/16" by 1/16ths |
| 510-SET-18 | 18 Piece 5C Collet Set | 1/16" - 1-1/8" by 1/16ths |
| 510-SET-24-MM | 24 Piece 5C Collet Set, Metric | 3.0 - 26.0mm x 1.0mm |
| 510-SET-29 | 29 Piece 5C Collet Set | 1/8" - 1" by 1/32nds |
| 510-SET-31 | 31 Piece 5C Collet Set | 1/8" - 1-1/16" by 1/32nds |
| 510-SET-31S | 31 Piece 5C Collet Set | 1/16" - 1" by 1/32nds |
| 510-SET-33 | 33 Piece 5C Collet Set | 1/16" - 1-1/16" by 1/32nds |
| 510-SET-35 | 35 Piece 5C Collet Set | 1/16" - 1-1/8" by 1/32nds |
| 510-SET-61 | 61 Piece 5C Collet Set | 1/8" - 1-1/16" by 64ths |
| 510-SET-61S | 61 Piece 5C Collet Set | 1/16" - 1" by 64ths |
| 510-SET-65 | 65 Piece 5C Collet Set | 1/8" - 1-1/8" by 64ths |
| 510-SET-65S | 65 Piece 5C Collet Set | 1/16" - 1-1/16" by 64ths |
| 510-SET-69 | 69 Piece 5C Collet Set | 1/16" - 1-1/8" by 64ths |
| 580-SET-07-HEX | 7 Piece 5C Hex Collet Set | 1/8" - 7/8" by 1/8ths |
| 580-SET-13-HEX | 13 Piece 5C Hex Collet Set | 1/8" - 7/8" by 1/16ths |
| 580-SET-06-SQ | 6 Piece 5C Square Collet Set | 1/8" - 3/4" by 1/8ths |
| 580-SET-11-SQ | 11 Piece 5C Square Collet Set | 1/8" - 3/4" by 1/16ths |

5C HEX COLLETS

| Part Number (Inch) | Size |
|--------------------|--------|
| 530-008 | 1/8" |
| 530-012 | 3/16" |
| 530-016 | 1/4" |
| 530-020 | 5/16" |
| 530-024 | 3/8" |
| 530-028 | 7/16" |
| 530-032 | 1/2" |
| 530-036 | 9/16" |
| 530-040 | 5/8" |
| 530-044 | 11/16" |
| 530-048 | 3/4" |
| 530-052 | 13/16" |
| 530-056* | 7/8" |



Note: *Does not have ID threads.

5C SQUARE COLLETS

| Part Number (Inch) | Size |
|--------------------|--------|
| 540-008 | 1/8" |
| 540-012 | 3/16" |
| 540-016 | 1/4" |
| 540-020 | 5/16" |
| 540-024 | 3/8" |
| 540-028 | 7/16" |
| 540-032 | 1/2" |
| 540-036 | 9/16" |
| 540-040 | 5/8" |
| 540-044 | 11/16" |
| 540-048* | 3/4" |



Note: *Does not have ID threads.

ACCURACY (FOR 5C HEX & SQUARE)

| Size Range | T.I.R |
|---------------|--------|
| 1/8" - 11/16" | 0.0025 |
| 3/4" - 7/8" | 0.0031 |

5C STEP COLLETS

| Part Number (Inch) | Size |
|--------------------|------|
| 550-002 | 2" |
| 550-003 | 3" |
| 550-004 | 4" |
| 550-005 | 5" |
| 550-006 | 6" |



Steps Collets have a soft face for easy machining while the 5C collet portion is hardened. 5C collet portion has external threads only to engage into the collet draw bar (no ID threads).



R8/5C/3J/16C COLLETS



5C COLLET ACCESSORIES

5C COLLET STOPS

| Part Number | Description |
|----------------|--|
| 570-ADJ | Adjustable Threaded Collet Stop |
| 570-USA | Non-Threaded Depth Retainer 5C Collet Stop |



570-ADJ



570-USA

5C COLLET BLOCKS

| Part Number | Description |
|-------------------|---|
| 570-HEX | Hex Block with Tightening Ring |
| 570-SQUARE | Square Block with Tightening Ring |
| 570-CLOSE | Quick Closer |
| 570-RING | Replacement Tightening Ring (ring only) |
| 570-BLOCK | Complete Set (all of the above) |



570-HEX



570-SQUARE



570-CLOSE

5C COLLET RACK

| Part Number | Description |
|---------------------------|--|
| RACK-5C/100TG/SK25 | Metal Rack holds 30x 5C, 100TG or SK25 Collets |



5C COLLET WRENCH

| Part Number | Description |
|------------------|------------------|
| 5C-WRENCH | 5C Collet Wrench |



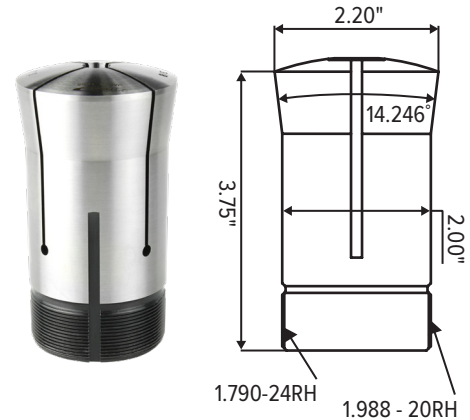
R8/5C/3J/16C

3J COLLETS

3J ROUND COLLETS

| Part Number (Inch) | Size | Part Number (Inch) | Size |
|--------------------|--------|--------------------|----------|
| 300-004 | 1/16" | 300-041 | 41/64" |
| 300-005 | 5/64" | 300-042 | 21/32" |
| 300-006 | 3/32" | 300-043 | 43/64" |
| 300-007 | 7/64" | 300-044 | 11/16" |
| 300-008 | 1/8" | 300-045 | 45/64" |
| 300-009 | 9/64" | 300-046 | 23/32" |
| 300-010 | 5/32" | 300-047 | 47/64" |
| 300-011 | 11/64" | 300-048 | 3/4" |
| 300-012 | 3/16" | 300-049 | 49/64" |
| 300-013 | 13/64" | 300-050 | 25/32" |
| 300-014 | 7/32" | 300-051 | 51/64" |
| 300-015 | 15/64" | 300-052 | 13/16" |
| 300-016 | 1/4" | 300-053 | 53/64" |
| 300-017 | 17/64" | 300-054 | 27/32" |
| 300-018 | 9/32" | 300-055 | 55/64" |
| 300-019 | 19/64" | 300-056 | 7/8" |
| 300-020 | 5/16" | 300-057 | 57/64" |
| 300-021 | 21/64" | 300-058 | 29/32" |
| 300-022 | 11/32" | 300-059 | 59/64" |
| 300-023 | 23/64" | 300-060 | 15/16" |
| 300-024 | 3/8" | 300-061 | 61/64" |
| 300-025 | 25/64" | 300-062 | 31/32" |
| 300-026 | 13/32" | 300-063 | 63/64" |
| 300-027 | 27/64" | 300-064 | 1" |
| 300-028 | 7/16" | 300-068 | 1-1/16" |
| 300-029 | 29/64" | 300-072 | 1-1/8" |
| 300-030 | 15/32" | 300-076 | 1-3/16" |
| 300-031 | 31/64" | 300-080 | 1-1/4" |
| 300-032 | 1/2" | 300-084 | 1-5/16" |
| 300-033 | 33/64" | 300-088 | 1-3/8" |
| 300-034 | 17/32" | 300-092 | 1-7/16" |
| 300-035 | 35/64" | 300-096 | 1-1/2" |
| 300-036 | 9/16" | 300-100 | 1-9/16" |
| 300-037 | 37/64" | 300-104 | 1-5/8" |
| 300-038 | 19/32" | 300-108 | 1-11/16" |
| 300-039 | 39/64" | 300-112 | 1-3/4" |
| 300-040 | 5/8" | | |

Note: All 3J Collets will have ID threads except Part Number 300-112.



ACCURACY

| Size Range | T.I.R |
|-----------------|--------|
| 1/16" - 25/64" | 0.0008 |
| 13/32" - 45/64" | 0.0011 |
| 23/32" - 1-3/4" | 0.0015 |

WORKPIECE TOLERANCE

| Collet Series | Gripping Range |
|---------------|----------------|
| 3J Collets | +0/-0.004" |

EMERGENCY COLLETS

| Part Number (Inch) | Size |
|--------------------|--|
| 360-001S* | Steel Emergency Collet has 1/16" pilot |



* Max Material Size: Round: 1.3/4"
 Square: 1.1/2"
 Hex: 1.1/4"

3J COLLET SETS

| Part Number | Description | Size Range |
|-------------|------------------------|----------------------------|
| 300-SET-08 | 8 Piece 3J Collet Set | 1/8" - 1" by 1/8ths |
| 300-SET-18 | 18 Piece 3J Collet Set | 1/16" - 1.1/8" by 1/16ths |
| 300-SET-29 | 29 Piece 3J Collet Set | 1/8" - 1" by 1/32nds |
| 300-SET-32 | 32 Piece 3J Collet Set | 1/16" - 1.1/16" by 1/32nds |

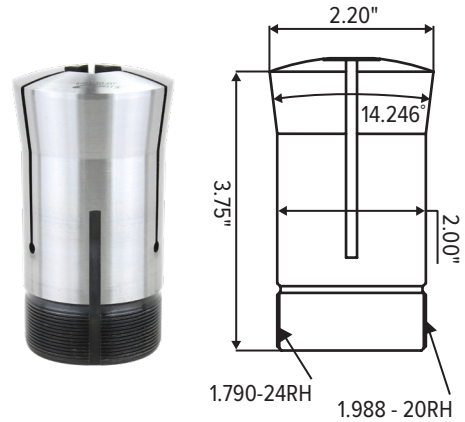
R8/5C/3J/16C COLLETS



3J COLLETS

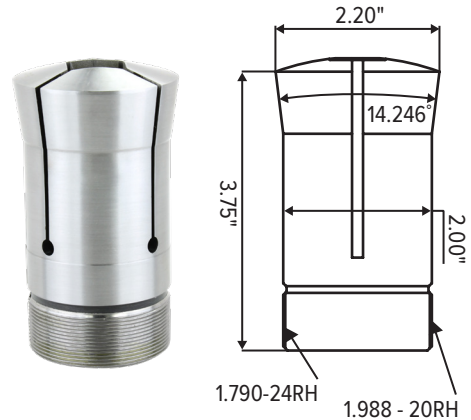
3J HEX COLLETS

| Part Number (Inch) | Size | Part Number (Inch) | Size |
|--------------------|--------|--------------------|---------|
| 330-016 | 1/4" | 330-060 | 15/16" |
| 330-020 | 5/16" | 330-064 | 1" |
| 330-024 | 3/8" | 330-068 | 1-1/16" |
| 330-028 | 7/16" | 330-072 | 1-1/8" |
| 330-032 | 1/2" | 330-076 | 1-3/16" |
| 330-036 | 9/16" | 330-080 | 1-1/4" |
| 330-040 | 5/8" | 330-084 | 1-5/16" |
| 330-044 | 11/16" | 330-088 | 1-3/8" |
| 330-048 | 3/4" | 330-092 | 1-7/16" |
| 330-052 | 13/16" | 330-096 | 1-1/2" |
| 330-056 | 7/8" | | |



3J SQUARE COLLETS

| Part Number (Inch) | Size | Part Number (Inch) | Size |
|--------------------|--------|--------------------|---------|
| 340-016 | 1/4" | 340-052 | 13/16" |
| 340-020 | 5/16" | 340-056 | 7/8" |
| 340-024 | 3/8" | 340-060 | 15/16" |
| 340-028 | 7/16" | 340-064 | 1" |
| 340-032 | 1/2" | 340-068 | 1-1/16" |
| 340-036 | 9/16" | 340-072 | 1-1/8" |
| 340-040 | 5/8" | 340-076 | 1-3/16" |
| 340-044 | 11/16" | 340-080 | 1-1/4" |
| 340-048 | 3/4" | | |



ACCURACY (FOR 3J HEX & SQUARE)

| Size Range | T.I.R |
|---------------|--------|
| 1/4" - 11/16" | 0.0025 |
| 3/4" - 1-1/2" | 0.0031 |

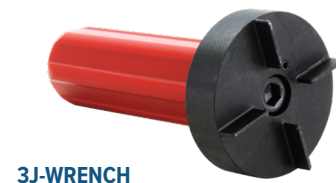
3J COLLET STOP

| Part Number | Description |
|-------------|--|
| 370-USA | Non-Threaded Depth Retainer 3J Collet Stop |
| 370-ADJ | 3J Collet Stop (for use with Collets with Internal Threads) |



3J COLLET WRENCH

| Part Number | Description |
|-------------|---|
| 3J-WRENCH | 4 Prong - to be used with 3J Round, 3J Square, 16C Square |
| 16C-WRENCH | 3 Prong - to be used with 16C Round, 16C Hex and 3J Hex |



R8/5C/3J/16C

16C COLLETS

16C ROUND COLLETS

| Part Number (Inch) | Size | Part Number (Inch) | Size |
|--------------------|--------|--------------------|---------|
| 160-004 | 1/16" | 160-040 | 5/8" |
| 160-005 | 5/64" | 160-041 | 41/64" |
| 160-006 | 3/32" | 160-042 | 21/32" |
| 160-007 | 7/64" | 160-043 | 43/64" |
| 160-008 | 1/8" | 160-044 | 11/16" |
| 160-009 | 9/64" | 160-045 | 45/64" |
| 160-010 | 5/32" | 160-046 | 23/32" |
| 160-011 | 11/64" | 160-047 | 47/64" |
| 160-012 | 3/16" | 160-048 | 3/4" |
| 160-013 | 13/64" | 160-049 | 49/64" |
| 160-014 | 7/32" | 160-050 | 25/32" |
| 160-015 | 15/64" | 160-051 | 51/64" |
| 160-016 | 1/4" | 160-052 | 13/16" |
| 160-017 | 17/64" | 160-053 | 53/64" |
| 160-018 | 9/32" | 160-054 | 27/32" |
| 160-019 | 19/64" | 160-055 | 55/64" |
| 160-020 | 5/16" | 160-056 | 7/8" |
| 160-021 | 21/64" | 160-057 | 57/64" |
| 160-022 | 11/32" | 160-058 | 29/32" |
| 160-023 | 23/64" | 160-059 | 59/64" |
| 160-024 | 3/8" | 160-060 | 15/16" |
| 160-025 | 25/64" | 160-061 | 61/64" |
| 160-026 | 13/32" | 160-062 | 31/32" |
| 160-027 | 27/64" | 160-063 | 63/64" |
| 160-028 | 7/16" | 160-064 | 1" |
| 160-029 | 29/64" | 160-066 | 1-1/32" |
| 160-030 | 15/32" | 160-068 | 1-1/16" |
| 160-031 | 31/64" | 160-072 | 1-1/8" |
| 160-032 | 1/2" | 160-076 | 1-3/16" |
| 160-033 | 33/64" | 160-080 | 1-1/4" |
| 160-034 | 17/32" | 160-084 | 1-5/16" |
| 160-035 | 35/64" | 160-088 | 1-3/8" |
| 160-036 | 9/16" | 160-092 | 1-7/16" |
| 160-037 | 37/64" | 160-096 | 1-1/2" |
| 160-038 | 19/32" | 160-100 | 1-9/16" |
| 160-039 | 39/64" | 160-104 | 1-5/8" |



ACCURACY

| Size Range | T.I.R |
|-----------------|--------|
| 1/16" - 25/64" | 0.0008 |
| 13/32" - 45/64" | 0.0011 |
| 23/32" - 1-5/8" | 0.0015 |

WORKPIECE TOLERANCE

| Collet Series | Gripping Range |
|---------------|----------------|
| 16C Collets | +0/-0.004" |

EMERGENCY COLLETS

| Part Number (Inch) | Size |
|--------------------|---|
| 166-001S* | Steel Emergency Collet has 1/16" pilot hole and hardened threads. |



* Max Material Size: Round: 1.5/8"
 Square: 1.3/8"
 Hex: 1.3/16"

16C COLLET SETS

| Part Number | Description | Size Range |
|-------------|-------------------------|----------------------------|
| 160-SET-08 | 8 Piece 16C Collet Set | 1/8" - 1" by 1/8ths |
| 160-SET-18 | 18 Piece 16C Collet Set | 1/16" - 1.1/16" by 1/16ths |
| 160-SET-29 | 29 Piece 16C Collet Set | 1/8" - 1" by 1/32nds |

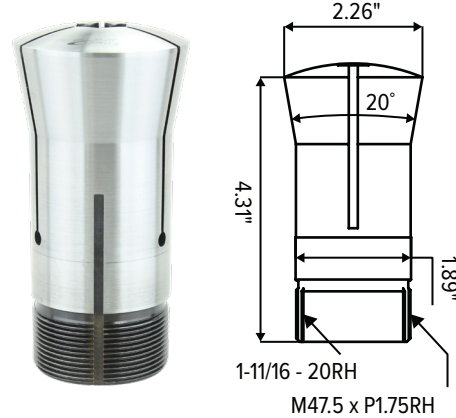
R8/5C/3J/16C COLLETS



16C COLLETS

16C HEX COLLETS

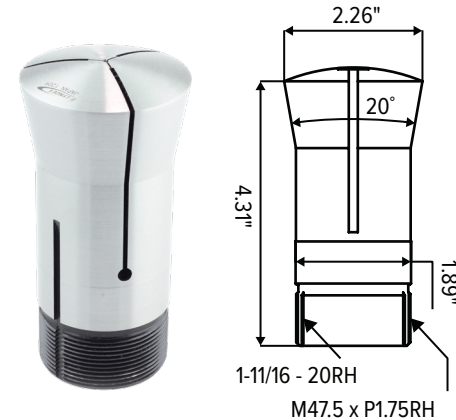
| Part Number (Inch) | Size | Part Number (Inch) | Size |
|--------------------|--------|--------------------|---------|
| 163-008 | 1/8" | 163-052 | 13/16" |
| 163-012 | 3/16" | 163-056 | 7/8" |
| 163-016 | 1/4" | 163-060 | 15/16" |
| 163-020 | 5/16" | 163-064 | 1" |
| 163-024 | 3/8" | 163-068 | 1-1/16" |
| 163-028 | 7/16" | 163-072 | 1-1/8" |
| 163-032 | 1/2" | 163-076 | 1-3/16" |
| 163-036 | 9/16" | 163-080 | 1-1/4" |
| 163-040 | 5/8" | 163-084 | 1-5/16" |
| 163-044 | 11/16" | 163-088 | 1-3/8" |
| 163-048 | 3/4" | | |



16C SQUARE COLLETS

| Part Number (Inch) | Size | Part Number (Inch) | Size |
|--------------------|-------|--------------------|---------|
| 164-008 | 1/8" | 164-044 | 11/16" |
| 164-012 | 3/16" | 164-048 | 3/4" |
| 164-016 | 1/4" | 164-052 | 13/16" |
| 164-020 | 5/16" | 164-056 | 7/8" |
| 164-024 | 3/8" | 164-060 | 15/16" |
| 164-028 | 7/16" | 164-064 | 1" |
| 164-032 | 1/2" | 164-068 | 1-1/16" |
| 164-036 | 9/16" | 164-072 | 1-1/8" |
| 164-040 | 5/8" | 164-076* | 1-3/16" |

Note: *Does not have ID threads.



ACCURACY (FOR 16C HEX & SQUARE)

| Size Range | T.I.R |
|---------------|--------|
| 1/8" - 11/16" | 0.0025 |
| 3/4" - 1-3/8" | 0.0031 |

16C COLLET STOP

| Part Number | Description |
|-------------|---|
| 160-USA | Non-Threaded Depth Retainer 16C Collet Stop |
| 160-ADJ | Threaded Depth Retainer 16C Collet Stop |



16C COLLET WRENCH

| Part Number | Description |
|-------------|---|
| 16C-WRENCH | 3 Prong - to be used with 16C Round, 16C Hex and 3J Hex |



R8/5C/3J/16C



QUICK CHANGE FLEX COLLETS

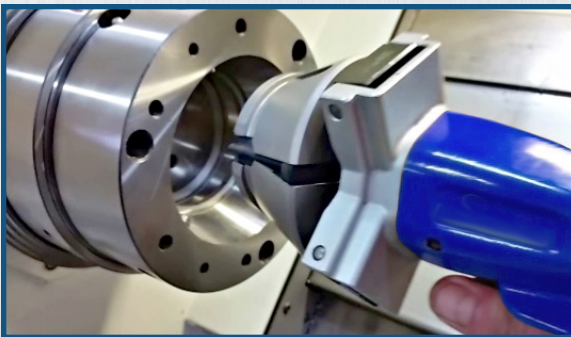
AVAILABLE NOW!



**COLLET CHANGE
IN 10 SECONDS!**



- **QUICK SET-UP TIME** - Collet can be switched to any size within seconds, not minutes
- **INCREASED PRECISION** - Collet accuracy is .0004" or better
- **INCREASED GRIP FORCE** - Collet collapses parallel to work piece, not angular
- **INCREASED CLAMPING RANGE** - Quick Change Flex collets allow work pieces to be up to +/- .0156" from nominal diameter



For more information and to download our QCFC Product Catalog, please visit:
lyndexnikken.com/online-catalogs



847-367-4800 | sales@lyndexnikken.com
lyndexnikken.com

Connect With Us!

