

## LYNDEX-NIKKEN PRODUCT WARRANTY

### TOOLHOLDER WARRANTY

- All standard tooling and collets from Lyndex-Nikken have a 1 year warranty against manufacturer defects and workmanship.
- Warranty is void if physical harm is done to the tool or misused outside of its intended purpose.



### SHRINK FIT UNIT WARRANTY

- All shrink fit units have a 1 year warranty against manufacturer defects and workmanship.
- Proper installation is required to maintain the 1 year manufacturing warranty.
- 200V Units – MUST be on dedicated protected network with 3 Phase 200-240V 50-60Hz with a 32A circuit breaker with a 30mA differential.
- 400V Units – MUST be on dedicated protected network with 3 Phase 400-480V 50-60Hz with a 32A circuit breaker with a 30mA differential.
- Cooling Towers requires dry filtered air at 85-125psi and be securely mounted.
- Warranty is void if physical harm is done to the unit or used outside of its intended purpose.



### ANGLE HEADS WARRANTY

- All angle heads come with a 1 year warranty against manufacturing defects and workmanship.
- All L/N angle heads need to be application approved in order for the warranty to be valid.
- Warranty becomes void if customer disassembles tool or if customer physically damages the tool.
- On repairs, there is a 6 month warranty on replacement parts and workmanship.
- Preventative Maintenance packages are available by request.
- Warranty DOES NOT apply for NSK attachments on Modular Angle Heads.
- Angle Heads should be checked periodically for heat generation / T.I.R. / noise generation and sent in accordingly.
- Internal coolant tools should be sent in every 6 months to 1 year based on usage.



## LYNDEX-NIKKEN PRODUCT WARRANTY

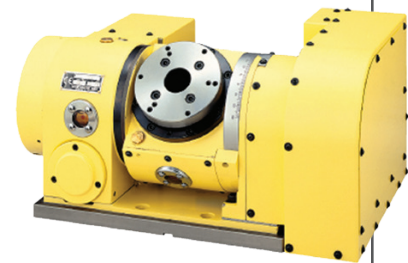
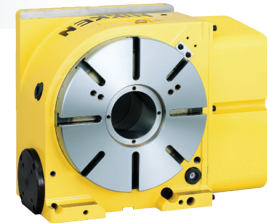
### LIVE TOOLS WARRANTY

- All live tooling comes with a 1 year warranty against manufacturing defects and workmanship.
- Warranty becomes void if customer disassembles tool or if customer physically damages the tool.
- On repairs, there is a 6 month warranty on replacement parts and workmanship.
- Preventative Maintenance packages are available by request.
- Live tools should be checked periodically for heat generation / T.I.R. / noise generation and sent in accordingly.
- Internal coolant tools should be sent in every 6 months to 1 year based on usage.



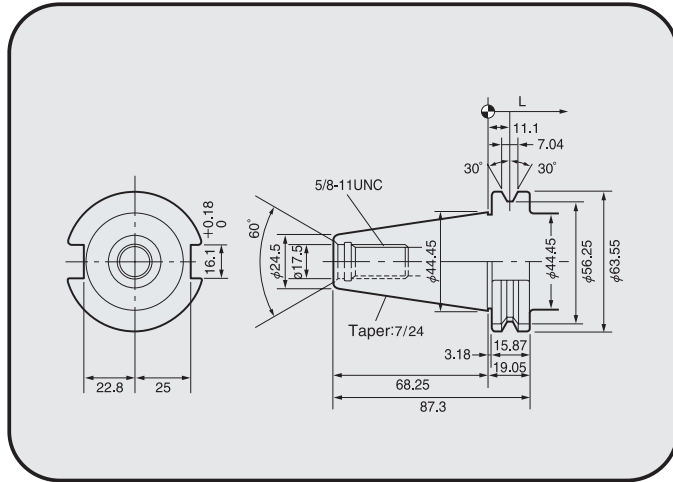
### ROTARY TABLES WARRANTY

- Warranty of table is 1 year against manufacturer defects and workmanship.
- If customer has table repaired by Lyndex-Nikken, warranty on repair is 3 months against manufacturer defects and workmanship.
- Preventative Maintenance packages available by request.
- Warranty also covers all support tables, tailstocks, chucks and collet fixture assemblies as well.
- Warranty will also be void if installation of table is not by a certified technician from Lyndex-Nikken or other machine tool dealer.
- Failure to do so could result in damaged electrical components that Lyndex-Nikken will not be responsible for.
- Warranty is void if customer disassembles table or causes physical harm to the rotary table.

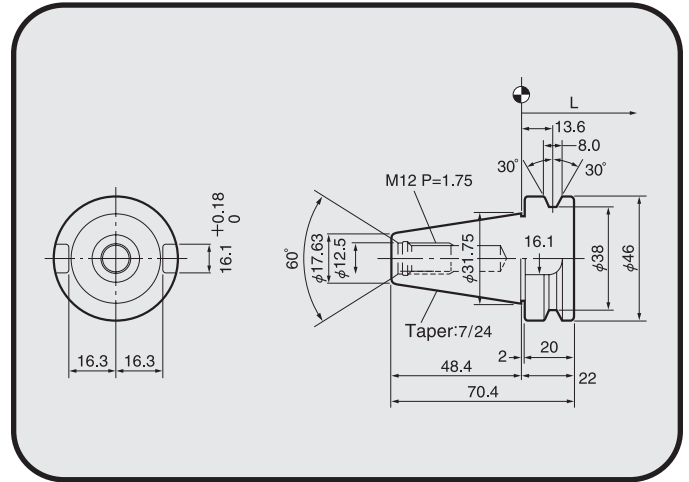


## TAPER SPECIFICATIONS

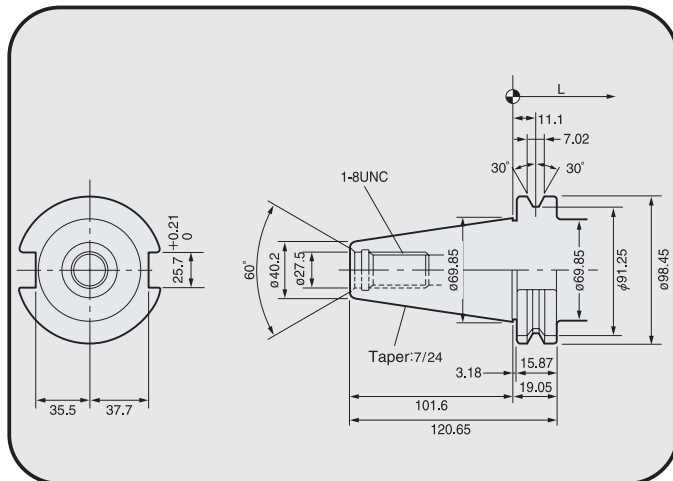
### CAT40



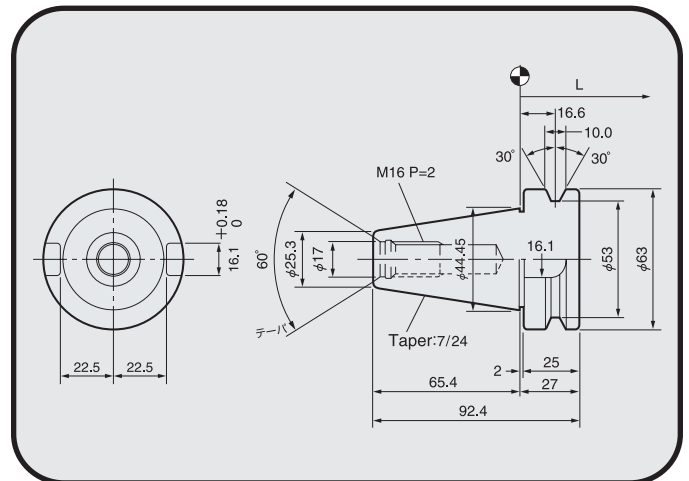
### BT30



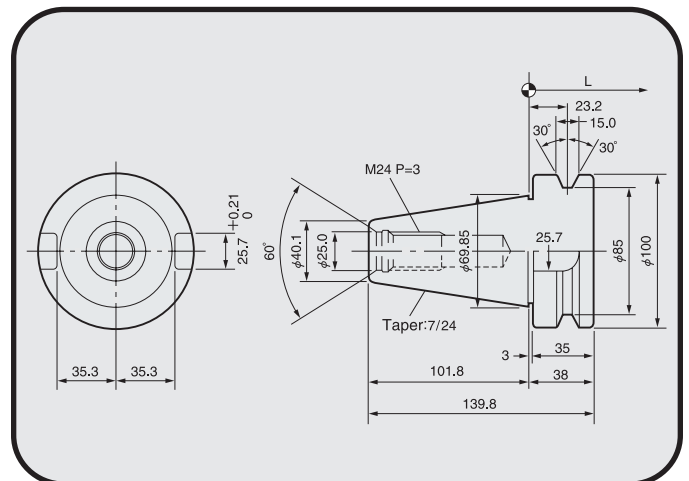
### CAT50



### BT40



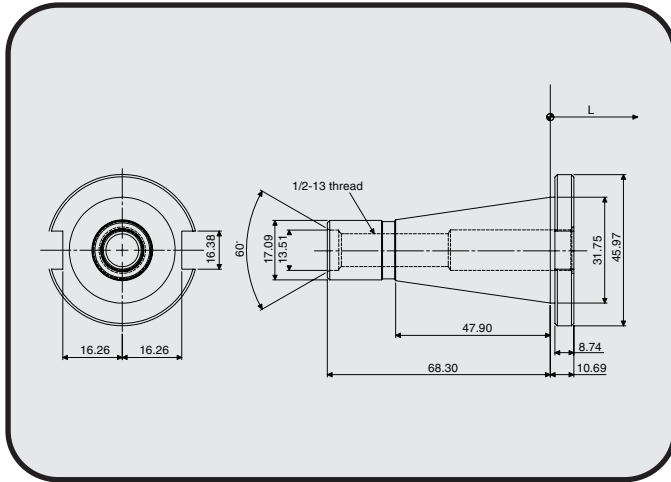
### BT50



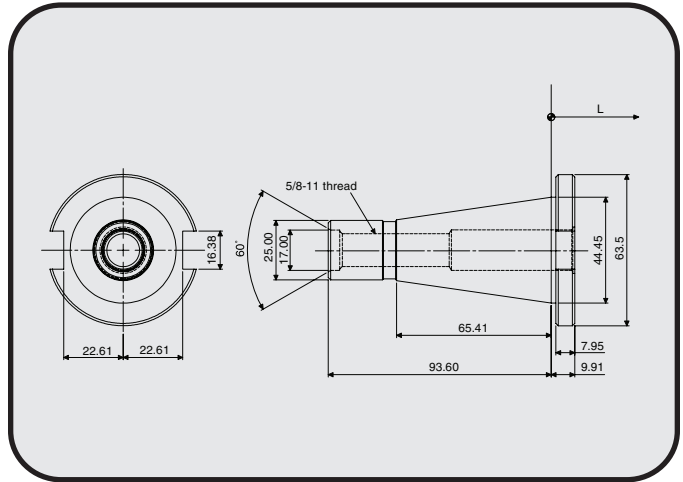


## TAPER SPECIFICATIONS

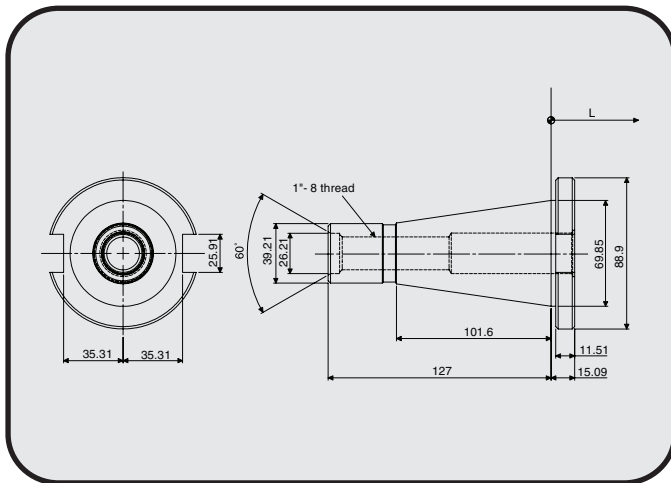
### NMTB30



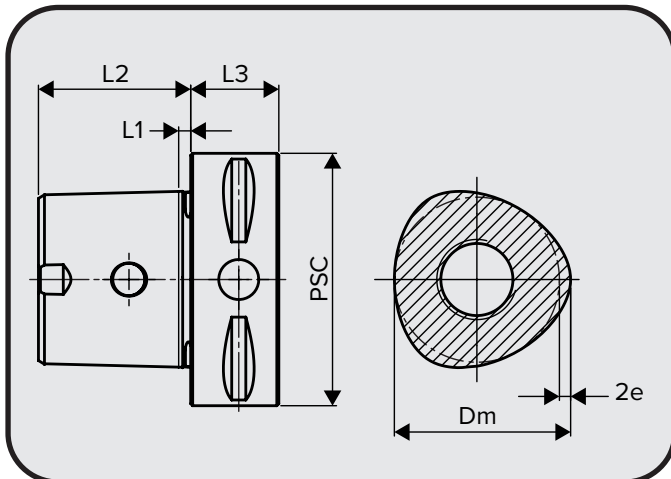
### NMTB40



### NMTB50



### POLYGONAL C3-C8 - ISO 26623-1



PSC	Size	Dm	e	L1	L2	L3 min.
32	C3	22	0.70	2.50	19	15
40	C4	28	0.90	2.50	24	20
50	C5	35	1.12	3.00	30	20
63	C6	44	1.40	3.00	38	22
80	C8	55	2.00	3.00	48	30

Note: All dimensions in this chart are in millimeters.



## SK DRILL CHART

FRACTION SIZE	# SIZE	LETTER SIZE	METRIC SIZE	DECIMAL INCHES	SK6 COLLETS	SK10 COLLETS	SK13 COLLETS	SK16 COLLETS	SK20 COLLETS	SK25 COLLETS
	80			0.0135						
	79			0.0145						
1/64				0.0156						
	78			0.0160						
	77			0.0180						
			0.5	0.0197						
	76			0.0200						
	75			0.0210						
	74			0.0225						
	73			0.0240						
	72			0.0250						
	71			0.0260						
	70			0.0280	SK6-0.8					
	69			0.0292	SK6-0.8					
			0.75	0.0295	SK6-0.8					
	68			0.0310	SK6-0.8					
1/32				0.0312	SK6-0.8					
	67			0.0320						
	66			0.0330						
	65			0.0350	SK6-1	SK10-1				
	64			0.0360	SK6-1	SK10-1				
	63			0.0370	SK6-1	SK10-1				
	62			0.0380	SK6-1	SK10-1				
	61			0.0390	SK6-1	SK10-1				
			1	0.0394	SK6-1	SK10-1				
	60			0.0400						
	59			0.0410						
	58			0.0420						
	57			0.0430						
	56			0.0465	SK6-1.25	SK10-1.25				
3/64				0.0469	SK6-1.25	SK10-1.25				
			1.25	0.0492	SK6-1.25	SK10-1.25				
	55			0.0520	SK6-1.5	SK10-1.5				
	54			0.0550	SK6-1.5	SK10-1.5				
			1.5	0.0591	SK6-1.5	SK10-1.5				
	53			0.0595						
1/16				0.0625	SK6-1.75	SK10-1.75				
	52			0.0635	SK6-1.75	SK10-1.75				
	51			0.0670	SK6-1.75	SK10-1.75				
			1.75	0.0689	SK6-1.75	SK10-1.75				
	50			0.0700	SK6-2	SK10-2				
	49			0.0730	SK6-2	SK10-2				
	48			0.0760	SK6-2	SK10-2				
5/64				0.0781	SK6-2	SK10-2				
	47			0.0785	SK6-2	SK10-2				
			2	0.0787	SK6-2	SK10-2				
	46			0.0810	SK6-2.25	SK10-2.25				
	45			0.0820	SK6-2.25	SK10-2.25				
	44			0.0860	SK6-2.25	SK10-2.25				

## SK DRILL CHART

FRACTION SIZE	# SIZE	LETTER SIZE	METRIC SIZE	DECIMAL INCHES	SK6 COLLETS	SK10 COLLETS	SK13 COLLETS	SK16 COLLETS	SK20 COLLETS	SK25 COLLETS
			2.25	0.0886	SK6-2.25	SK10-2.25				
	43			0.0890	SK6-2.5	SK10-2.5				
	42			0.0935	SK6-2.5	SK10-2.5				
3/32				0.0938	SK6-2.5	SK10-2.5				
	41			0.0960	SK6-2.5	SK10-2.5				
	40			0.0980	SK6-2.5	SK10-2.5				
			2.5	0.0984	SK6-2.5	SK10-2.5				
	39			0.0995	SK6-2.75	SK10-2.75				
	38			0.1015	SK6-2.75	SK10-2.75				
	37			0.1040	SK6-2.75	SK10-2.75				
	36			0.1065	SK6-2.75	SK10-2.75				
			2.75	0.1083	SK6-2.75	SK10-2.75		SK16-3		
7/64				0.1094	SK6-3	SK10-3		SK16-3		
	35			0.1100	SK6-3	SK10-3	SK13-3	SK16-3		
	34			0.1110	SK6-3	SK10-3	SK13-3	SK16-3		
	33			0.1130	SK6-3	SK10-3	SK13-3	SK16-3		
	32			0.1160	SK6-3	SK10-3	SK13-3	SK16-3		
			3	0.1181	SK6-3	SK10-3	SK13-3	SK16-3		
	31			0.1200	SK6-3.5	SK10-3.5	SK13-3.5	SK16-3.5		
1/8				0.1250	SK6-3.5/SK6-1/8A	SK10-3.5/ SK10-1/8A	SK13-3.5/SK13-1/8A	SK16-3.5/ SK16-1/8A	SK20-1/8A	
			3.25	0.1280	SK6-3.5	SK10-3.5	SK13-3.5	SK16-3.5		
	30			0.1285	SK6-3.5	SK10-3.5	SK13-3.5	SK16-3.5		
	29			0.1360	SK6-3.5	SK10-3.5	SK13-3.5	SK16-3.5		
			3.5	0.1378	SK6-3.5	SK10-3.5	SK13-3.5	SK16-3.5		
	28			0.1405	SK6-4	SK10-4	SK13-4	SK16-4	SK20-4	
9/64				0.1406	SK6-4	SK10-4	SK13-4	SK16-4	SK20-4	
	27			0.1440	SK6-4	SK10-4	SK13-4	SK16-4	SK20-4	
	26			0.1470	SK6-4	SK10-4	SK13-4	SK16-4	SK20-4	
			3.75	0.1476	SK6-4	SK10-4	SK13-4	SK16-4	SK20-4	
	25			0.1495	SK6-4	SK10-4	SK13-4	SK16-4	SK20-4	
	24			0.1520	SK6-4	SK10-4	SK13-4	SK16-4	SK20-4	
	23			0.1540	SK6-4	SK10-4	SK13-4	SK16-4	SK20-4	
5/32				0.1562	SK6-4	SK10-4	SK13-4	SK16-4	SK20-4	
	22			0.1570	SK6-4	SK10-4	SK13-4	SK16-4	SK20-4	
			4	0.1575	SK6-4	SK10-4	SK13-4	SK16-4	SK20-4	
	21			0.1590	SK6-4.5	SK10-4.5	SK13-4.5	SK16-4.5	SK20-4.5	
	20			0.1610	SK6-4.5	SK10-4.5	SK13-4.5	SK16-4.5	SK20-4.5	
	19			0.1660	SK6-4.5	SK10-4.5	SK13-4.5	SK16-4.5	SK20-4.5	
			4.25	0.1673	SK6-4.5	SK10-4.5	SK13-4.5	SK16-4.5	SK20-4.5	
	18			0.1695	SK6-4.5	SK10-4.5	SK13-4.5	SK16-4.5	SK20-4.5	
11/64				0.1719	SK6-4.5	SK10-4.5	SK13-4.5	SK16-4.5	SK20-4.5	
	17			0.1730	SK6-4.5	SK10-4.5	SK13-4.5	SK16-4.5	SK20-4.5	
	16			0.1770	SK6-4.5	SK10-4.5	SK13-4.5	SK16-4.5	SK20-4.5	
			4.5	0.1772	SK6-4.5	SK10-4.5	SK13-4.5	SK16-4.5	SK20-4.5	
	15			0.1800	SK6-5.0	SK10-5	SK13-5	SK16-5	SK20-5	
	14			0.1820	SK6-5.0	SK10-5	SK13-5	SK16-5	SK20-5	
	13			0.1850	SK6-5.0	SK10-5	SK13-5	SK16-5	SK20-5	
			4.75	0.1870	SK6-5.0	SK10-5	SK13-5	SK16-5	SK20-5	
3/16				0.1875	SK6-5.0/SK6-3/16A	SK10-5/ SK10-3/16A	SK13-5/SK13-3/16A	SK16-5/ SK16-3/16A	SK20-5/ SK20-3/16A	SK25-3/16A



## SK DRILL CHART

FRACTION SIZE	# SIZE	LETTER SIZE	METRIC SIZE	DECIMAL INCHES	SK6 COLLETS	SK10 COLLETS	SK13 COLLETS	SK16 COLLETS	SK20 COLLETS	SK25 COLLETS
	12			0.1890	SK6-5.0	SK10-5	SK13-5	SK16-5	SK20-5	
	11			0.1910	SK6-5.0	SK10-5	SK13-5	SK16-5	SK20-5	
	10			0.1935	SK6-5.0	SK10-5	SK13-5	SK16-5	SK20-5	
	9			0.1960	SK6-5.0	SK10-5	SK13-5	SK16-5	SK20-5	
			5	0.1969	SK6-5.0	SK10-5	SK13-5	SK16-5	SK20-5	
	8			0.1990	SK6-5.5	SK10-5.5	SK13-5.5	SK16-5.5	SK20-5.5	
	7			0.2010	SK6-5.5	SK10-5.5	SK13-5.5	SK16-5.5	SK20-5.5	
13/64				0.2031	SK6-5.5	SK10-5.5	SK13-5.5	SK16-5.5	SK20-5.5	
	6			0.2040	SK6-5.5	SK10-5.5	SK13-5.5	SK16-5.5	SK20-5.5	
	5			0.2055	SK6-5.5	SK10-5.5	SK13-5.5	SK16-5.5	SK20-5.5	
			5.25	0.2067	SK6-5.5	SK10-5.5	SK13-5.5	SK16-5.5	SK20-5.5	
	4			0.2090	SK6-5.5	SK10-5.5	SK13-5.5	SK16-5.5	SK20-5.5	
	3			0.2130	SK6-5.5	SK10-5.5	SK13-5.5	SK16-5.5	SK20-5.5	
			5.5	0.2165	SK6-5.5	SK10-5.5	SK13-5.5	SK16-5.5	SK20-5.5	
7/32				0.2188	SK6-6	SK10-6	SK13-6	SK16-6	SK20-6	
	2			0.2210	SK6-6	SK10-6	SK13-6	SK16-6	SK20-6	
			5.75	0.2264	SK6-6	SK10-6	SK13-6	SK16-6	SK20-6	
	1			0.2280	SK6-6	SK10-6	SK13-6	SK16-6	SK20-6	
		A		0.2340	SK6-6	SK10-6	SK13-6	SK16-6	SK20-6	
15/64				0.2344	SK6-6	SK10-6	SK13-6	SK16-6	SK20-6	
			6	0.2362	SK6-6	SK10-6	SK13-6	SK16-6	SK20-6	
		B		0.2380		SK10-6.5	SK13-6.5	SK16-6.5	SK20-6.5	
		C		0.2420		SK10-6.5	SK13-6.5	SK16-6.5	SK20-6.5	
		D		0.2460		SK10-6.5	SK13-6.5	SK16-6.5	SK20-6.5	
			6.25	0.2461		SK10-6.5	SK13-6.5	SK16-6.5	SK20-6.5	
1/4		E		0.2500	SK6-1/4A	SK10-6.5/ SK10-1/4A	SK13-6.5/ SK13-1/4A	SK16-6.5/ SK16-1/4A	SK20-6.5/ SK20-1/4A	SK25-1/4A
			6.5	0.2559		SK10-6.5	SK13-6.5	SK16-6.5	SK20-6.5	
		F		0.2570		SK10-7	SK13-7	SK16-7	SK20-7	
		G		0.2610		SK10-7	SK13-7	SK16-7	SK20-7	
17/64				0.2656		SK10-7	SK13-7	SK16-7	SK20-7	
			6.75	0.2657		SK10-7	SK13-7	SK16-7	SK20-7	
		H		0.2660		SK10-7	SK13-7	SK16-7	SK20-7	
		I		0.2720		SK10-7	SK13-7	SK16-7	SK20-7	
			7	0.2756		SK10-7	SK13-7	SK16-7	SK20-7	
		J		0.2770		SK10-7.5	SK13-7.5	SK16-7.5	SK20-7.5	
		K		0.2810		SK10-7.5	SK13-7.5	SK16-7.5	SK20-7.5	
9/32				0.2812		SK10-7.5	SK13-7.5	SK16-7.5	SK20-7.5	
			7.25	0.2854		SK10-7.5	SK13-7.5	SK16-7.5	SK20-7.5	
		L		0.2900		SK10-7.5	SK13-7.5	SK16-7.5	SK20-7.5	
		M		0.2950		SK10-7.5	SK13-7.5	SK16-7.5	SK20-7.5	SK25-8
			7.5	0.2953		SK10-7.5	SK13-7.5	SK16-7.5	SK20-7.5	SK25-8
19/64				0.2969		SK10-8	SK13-8	SK16-8	SK20-8	SK25-8
		N		0.3020		SK10-8	SK13-8	SK16-8	SK20-8	SK25-8
			7.75	0.3051		SK10-8	SK13-8	SK16-8	SK20-8	SK25-8
5/16				0.3125		SK10-8/ SK10-5/16A	SK13-8/ SK13-5/16A	SK16-8/ SK16-5/16A	SK20-8/ SK20-5/16A	SK25-8/ SK25-5/16A
			8	0.3150		SK10-8	SK13-8	SK16-8	SK20-8	SK25-8
		O		0.3160		SK10-8.5	SK13-8.5	SK16-8.5	SK20-8.5	
		P		0.3230		SK10-8.5	SK13-8.5	SK16-8.5	SK20-8.5	
			8.25	0.3248		SK10-8.5	SK13-8.5	SK16-8.5	SK20-8.5	

## SK DRILL CHART

FRACTION SIZE	# SIZE	LETTER SIZE	METRIC SIZE	DECIMAL INCHES	SK6 COLLETS	SK10 COLLETS	SK13 COLLETS	SK16 COLLETS	SK20 COLLETS	SK25 COLLETS
21/64				0.3281		SK10-8.5	SK13-8.5	SK16-8.5	SK20-8.5	
		Q		0.3320		SK10-8.5	SK13-8.5	SK16-8.5	SK20-8.5	
			8.5	0.3346		SK10-8.5	SK13-8.5	SK16-8.5	SK20-8.5	
		R		0.3390		SK10-9	SK13-9	SK16-9	SK20-9	
11/32				0.3438		SK10-9	SK13-9	SK16-9	SK20-9	
			8.75	0.3445		SK10-9	SK13-9	SK16-9	SK20-9	
		S		0.3480		SK10-9	SK13-9	SK16-9	SK20-9	
			9	0.3543		SK10-9	SK13-9	SK16-9	SK20-9	
		T		0.3580		SK10-9.5	SK13-9.5	SK16-9.5	SK20-9.5	
23/64				0.3594		SK10-9.5	SK13-9.5	SK16-9.5	SK20-9.5	
			9.25	0.3642		SK10-9.5	SK13-9.5	SK16-9.5	SK20-9.5	
		U		0.3680		SK10-9.5	SK13-9.5	SK16-9.5	SK20-9.5	
			9.5	0.3740		SK10-9.5	SK13-9.5	SK16-9.5	SK20-9.5	SK25-10
3/8				0.3750		SK10-10/ SK10-3/8A	SK13-10/SK13-3/8A	SK16-10/ SK16-3/8A	SK20-10/ SK20-3/8A	SK25-10/SK25-3/8A
		V		0.3770		SK10-10	SK13-10	SK16-10	SK20-10	SK25-10
			9.75	0.3839		SK10-10	SK13-10	SK16-10	SK20-10	SK25-10
		W		0.3860		SK10-10	SK13-10	SK16-10	SK20-10	SK25-10
25/64				0.3906		SK10-10	SK13-10	SK16-10	SK20-10	SK25-10
			10	0.3937		SK10-10	SK13-10	SK16-10	SK20-10	SK25-10
		X		0.3970			SK13-10.5	SK16-10.5	SK20-10.5	
		Y		0.4040			SK13-10.5	SK16-10.5	SK20-10.5	
13/32				0.4063			SK13-10.5	SK16-10.5	SK20-10.5	
		Z		0.4130			SK13-10.5	SK16-10.5	SK20-10.5	
			10.5	0.4134			SK13-10.5	SK16-10.5	SK20-10.5	
27/64				0.4219			SK13-11	SK16-11	SK20-11	
			11	0.4331			SK13-11	SK16-11	SK20-11	
7/16				0.4375			SK13-11.5/SK13-7/16A	SK16-11.5/ SK16-7/16A	SK20-11.5/ SK20-7/16A	SK25-7/16A
			11.5	0.4528			SK13-11.5	SK16-11.5	SK20-11.5	
29/64				0.4531			SK13-12	SK16-12	SK20-12	SK25-12
15/32				0.4688			SK13-12	SK16-12	SK20-12	SK25-12
			12	0.4724			SK13-12	SK16-12	SK20-12	SK25-12
31/64				0.4844			SK13-12.5	SK16-12.5	SK20-12.5	
			12.5	0.4921			SK13-12.5	SK16-12.5	SK20-12.5	
1/2				0.5000			SK13-13/SK13-1/2A	SK16-13/ SK16-1/2A	SK20-13/ SK20-1/2A	SK25-1/2A
			13	0.5118			SK13-13	SK16-13	SK20-13	
33/64				0.5156				SK16-13.5	SK20-13.5	
17/32				0.5312				SK16-13.5	SK20-13.5	
			13.5	0.5315				SK16-13.5	SK20-13.5	
35/64				0.5469				SK16-14	SK20-14	
			14	0.5512				SK16-14	SK20-14	
9/16				0.5625				SK16-14.5/ SK16-9/16A	SK20-14.5/ SK20-9/16A	SK25-9/16A
			14.5	0.5709				SK16-14.5	SK20-14.5	
37/64				0.5781				SK16-15	SK20-15	
			15	0.5906				SK16-15	SK20-15	
19/32				0.5938				SK16-15.5	SK20-15.5	
39/64				0.6094				SK16-15.5	SK20-15.5	
			15.5	0.6102				SK16-15.5	SK20-15.5	
5/8				0.6250				SK16-16/ SK16-5/8A	SK20-16/ SK20-5/8A	SK25-16/ SK25-5/8A
			16	0.6299				SK16-16	SK20-16	SK25-16



## SK DRILL CHART

FRACTION SIZE	# SIZE	LETTER SIZE	METRIC SIZE	DECIMAL INCHES	SK6 COLLETS	SK10 COLLETS	SK13 COLLETS	SK16 COLLETS	SK20 COLLETS	SK25 COLLETS
41/64				0.6406					SK20-16.5	SK25-16.5
			16.5	0.6496					SK20-16.5	SK25-16.5
21/32				0.6562					SK20-17	SK25-17
			17	0.6693					SK20-17	SK25-17
43/64				0.6719					SK20-17.5	SK25-17.5
11/16				0.6875					SK20-17.5	SK25-17.5
			17.5	0.6890					SK20-17.5	SK25-17.5
45/64				0.7031					SK20-18	SK25-18
			18	0.7087					SK20-18	SK25-18
23/32				0.7188					SK20-18.5	SK25-18.5
			18.5	0.7283					SK20-18.5	SK25-18.5
47/64				0.7344					SK20-19	SK25-19
			19	0.7480					SK20-19	SK25-19
3/4				0.7500					SK20-19.5/ SK20-3/4A	SK25-19.5/ SK25-3/4A
49/64				0.7656					SK20-19.5	SK25-19.5
			19.5	0.7677					SK20-19.5	SK25-19.5
25/32				0.7813					SK20-20	SK25-20
			20	0.7874					SK20-20	SK25-20
51/64				0.7969						SK25-20.5
			20.5	0.8071						SK25-20.5
13/16				0.8125						SK25-21
			21	0.8268						SK25-21
53/64				0.8281						SK25-21.5
27/32				0.8438						SK25-21.5
			21.5	0.8465						SK25-21.5
55/64				0.8594						SK25-22
			22	0.8661						SK25-22
7/8				0.8750						SK25-22.5/SK25-7/8A
			22.5	0.8858						SK25-22.5
57/64				0.8906						SK25-23
			23	0.9055						SK25-23
29/32				0.9062						SK25-23.5
59/64				0.9219						SK25-23.5
			23.5	0.9252						SK25-23.5
15/16				0.9375						SK25-24
			24	0.9449						SK25-24
61/64				0.9531						SK25-24.5
			24.5	0.9646						SK25-24.5
31/32				0.9688						SK25-25
			25	0.9843						SK25-25
63/64				0.9844						SK25-25.4
1				1						SK25-25.4

## INDEX

Part Number	Page	Part Number	Page	Part Number	Page	Part Number	Page
010-003	240	018-024	240	030-008	239	075-030(C)	233
010-004	240	018-025	240	030-009	239	075-031	233
010-005	240	018-026	240	030-010	239	075-031(C)	233
010-006	240	018-027	240	030-011	239	075-032	233
010-007	240	018-028	240	030-012	239	075-032(C)	233
010-008	240	018-029	240	030-013	239	075-033	233
010-009	240	018-030	240	030-014	239	075-033(C)	233
010-010	240	018-031	240	030-015	239	075-034	233
010-011	240	018-032	240	030-016	239	075-034(C)	233
010-012	240	018-033	240	030-EXT-500	238	075-035	233
010-013	240	018-034	240	030-EXT-500S	238	075-035(C)	233
010-014	240	018-035	240	030-SET-07	239	075-036	233
010-015	240	018-036	240	030-SET-09	239	075-036(C)	233
010-016	240	018-037	240	030-SET-13	239	075-037	233
010-017	240	018-038	240	030-SET-14	239	075-037(C)	233
010-018	240	018-039	240	032-SPAN	74	075-038	233
010-019	240	018-040	240	040-SPAN	74	075-038(C)	233
010-020	240	018-041	240	075-003	233	075-039	233
010-021	240	018-042	240	075-004	233	075-039(C)	233
010-022	240	018-043	240	075-005	233	075-040	233
010-023	240	018-044	240	075-006	233	075-040(C)	233
010-024	240	018-045	240	075-007	233	075-041	233
010-025	240	018-046	240	075-008	233	075-041(C)	233
010-026	240	018-047	240	075-008(C)	233	075-042	233
010-027	240	018-048	240	075-009	233	075-042(C)	233
010-028	240	018-EXT-125	238	075-009(C)	233	075-043	233
010-029	240	018-EXT-125S	238	075-010	233	075-043(C)	233
010-030	240	018-SET-09	240	075-010(C)	233	075-044	233
010-031	240	018-SET-17	240	075-011	233	075-044(C)	233
010-032	240	018-SET-21	240	075-011(C)	233	075-045	233
010-033	240	018-SET-33	240	075-012	233	075-045(C)	233
010-034	240	018-SET-41	240	075-012(C)	233	075-046	233
010-035	240	020-003	239	075-013	233	075-046(C)	233
010-036	240	020-004	239	075-013(C)	233	075-047	233
010-EXT-100	238	020-005	239	075-014	233	075-047(C)	233
010-EXT-100S	238	020-006	239	075-014(C)	233	075-048	233
010-SET-08	240	020-007	239	075-015	233	075-048(C)	233
010-SET-11	240	020-008	239	075-015(C)	233	075-SET-12	233
010-SET-15	240	020-009	239	075-016	233	075-SET-17	233
010-SET-17	240	020-010	239	075-016(C)	233	075-SET-23	233
010-SET-21	240	020-011	239	075-017	233	075-SET-27	233
010-SET-29	240	020-012	239	075-017(C)	233	075-SET-45	233
010-SET-33	240	020-013	239	075-018	233	08-MANUT	74
011-HEX	74	020-014	239	075-018(C)	233	08-NASPAN	74
016-SPAN	41, 74	020-015	239	075-019	233	1/2-KEYSET	188
018-003	240	020-016	239	075-019(C)	233	100-003	234
018-004	240	020-017	239	075-020	233	100-004	234
018-005	240	020-018	239	075-020(C)	233	100-005	234
018-006	240	020-019	239	075-021	233	100-006	234
018-007	240	020-020	239	075-021(C)	233	100-007	234
018-008	240	020-021	239	075-022	233	100-008	234
018-008	240	020-022	239	075-022(C)	233	100-009	234
018-009	240	020-023	239	075-023	233	100-010	234
018-010	240	020-024	239	075-023(C)	233	100-011	234
018-011	240	020-EXT-750	238	075-024	233	100-012	234
018-012	240	020-EXT-750S	238	075-024(C)	233	100-013	234
018-013	240	020-SET-09	239	075-025	233	100-014	234
018-014	240	020-SET-11	239	075-025(C)	233	100-015	234
018-015	240	020-SET-17	239	075-026	233	100-016	234
018-016	240	020-SET-21	239	075-026(C)	233	100-016(C)	234
018-017	240	020-SPAN	74	075-027	233	100-017	234
018-018	240	025-SPAN	74	075-027(C)	233	100-017(C)	234
018-019	240	030-003	239	075-028	233	100-018	234
018-020	240	030-004	239	075-028(C)	233	100-018(C)	234
018-021	240	030-005	239	075-029	233	100-019	234
018-022	240	030-006	239	075-029(C)	233	100-019(C)	234
018-023	240	030-007	239	075-030	233	100-020	234



## INDEX

Part Number	Page	Part Number	Page	Part Number	Page	Part Number	Page
100-020(C)	234	100-054	234	100-SET-30	234	160-053	264
100-021	234	100-054(C)	234	100-SET-41	234	160-054	264
100-021(C)	234	100-055	234	100-SET-41(C)	234	160-055	264
100-022	234	100-055(C)	234	100-SET-45	234	160-056	264
100-022(C)	234	100-056	234	100-SET-59	234	160-057	264
100-023	234	100-056(C)	234	100TG-NUT	236	160-058	264
100-023(C)	234	100-057	234	100TG-SPAN	236	160-059	264
100-024	234	100-057(C)	234	1-1/2-KEYSET	188	160-060	264
100-024(C)	234	100-058	234	1-1/2-STUBKEY	254	160-061	264
100-025	234	100-058(C)	234	1-1/2-STUBNUT	254	160-062	264
100-025(C)	234	100-059	234	1-1/4-KEYSET	188	160-063	264
100-026	234	100-059(C)	234	1-1/4-STUBKEY	254	160-064	264
100-026(C)	234	100-060	234	1-1/4-STUBNUT	254	160-066	264
100-027	234	100-060(C)	234	11N	196	160-068	264
100-027(C)	234	100-061	234	1250TL-2(C)	155	160-072	264
100-028	234	100-061(C)	234	1250TL-3(C)	155	160-076	264
100-028(C)	234	100-062	234	130-JT33	196	160-080	264
100-029	234	100-062(C)	234	14N	196	160-084	264
100-029(C)	234	100-063	234	160-004	264	160-088	264
100-030	234	100-063(C)	234	160-005	264	160-092	264
100-030(C)	234	100-064	234	160-006	264	160-096	264
100-031	234	100-064(C)	234	160-007	264	160-100	264
100-031(C)	234	1000TL-3(C)	155	160-008	264	160-104	264
100-032	234	100-203	235	160-009	264	160-ADJ	265
100-032(C)	234	100-204	235	160-010	264	160-J6	196
100-033	234	100-205	235	160-011	264	160-SET-08	264
100-033(C)	234	100-206	235	160-012	264	160-SET-18	264
100-034	234	100-206(C)	235	160-013	264	160-SET-29	264
100-034(C)	234	100-207	235	160-014	264	160-USA	265
100-035	234	100-208	235	160-015	264	163-008	265
100-035(C)	234	100-208(C)	235	160-016	264	163-012	265
100-036	234	100-210	235	160-017	264	163-016	265
100-036(C)	234	100-210(C)	235	160-018	264	163-020	265
100-037	234	100-211	235	160-019	264	163-024	265
100-037(C)	234	100-212	235	160-020	264	163-028	265
100-038	234	100-212(C)	235	160-021	264	163-032	265
100-038(C)	234	100-213	235	160-022	264	163-036	265
100-039	234	100-214	235	160-023	264	163-040	265
100-039(C)	234	100-214(C)	235	160-024	264	163-044	265
100-040	234	100-216	235	160-025	264	163-048	265
100-040(C)	234	100-216(C)	235	160-026	264	163-052	265
100-041	234	100-218	235	160-027	264	163-056	265
100-041(C)	234	100-218(C)	235	160-028	264	163-060	265
100-042	234	100-219	235	160-029	264	163-064	265
100-042(C)	234	100-220	235	160-030	264	163-068	265
100-043	234	100-220(C)	235	160-031	264	163-072	265
100-043(C)	234	100-222	235	160-032	264	163-076	265
100-044	234	100-222(C)	235	160-033	264	163-080	265
100-044(C)	234	100-224	235	160-034	264	163-084	265
100-045	234	100-224(C)	235	160-035	264	163-088	265
100-045(C)	234	100-225	235	160-036	264	164-008	265
100-046	234	100-225(C)	235	160-037	264	164-012	265
100-046(C)	234	100-226	235	160-038	264	164-016	265
100-047	234	100-226(C)	235	160-039	264	164-020	265
100-047(C)	234	100DA-3	241	160-040	264	164-024	265
100-048	234	100DA-4	241	160-041	264	164-028	265
100-048(C)	234	100DA-NUT	241	160-042	264	164-032	265
100-049	234	100-J2	196	160-043	264	164-036	265
100-049(C)	234	100-J33	196	160-044	264	164-040	265
100-050	234	100-SET-08	234	160-045	264	164-044	265
100-050(C)	234	100-SET-11	234	160-046	264	164-048	265
100-051	234	100-SET-11(C)	234	160-047	264	164-052	265
100-051(C)	234	100-SET-13-MM	234	160-048	264	164-056	265
100-052	234	100-SET-15	234	160-049	264	164-060	265
100-052(C)	234	100-SET-21	234	160-050	264	164-064	265
100-053	234	100-SET-21(C)	234	160-051	264	164-068	265
100-053(C)	234	100-SET-23	234	160-052	264	164-072	265

## INDEX

Part Number	Page	Part Number	Page	Part Number	Page	Part Number	Page
164-076	265	300-050	262	340-060	263	500-056	259
166-001S	264	300-051	262	340-064	263	500-057	259
16C-WRENCH	263, 265	300-052	262	340-068	263	500-058	259
16N	196	300-053	262	340-072	263	500-059	259
180DA-3	241	300-054	262	340-076	263	500-060	259
180DA-4	241	300-055	262	340-080	263	500-061	259
180DA-NUT	241	300-056	262	34-02	196	500-062	259
18N	196	300-057	262	34-06	196	500-063	259
1-KEYSET	188	300-058	262	34-33	196	500-064	259
1-STUBKEY	254	300-059	262	360-001S	262	500-065	259
1-STUBNUT	254	300-060	262	370-ADJ	263	500-066	259
200DA-3	241	300-061	262	370-USA	263	500-067	259
200DA-4	241	300-062	262	3J-WRENCH	263	500-068	259
200DA-NUT	241	300-063	262	40-KEYSET	188	500-069	259
2-1/2-KEYSET	188	300-064	262	500-003	259	500-070	259
22-KEYSET	188	300-068	262	500-004	259	500-071	259
27-KEYSET	188	300-072	262	500-005	259	500-072	259
2-KEYSET	188	300-076	262	500-006	259	510-SET-08	260
3/4-KEYSET	188	300-080	262	500-007	259	510-SET-09	260
3/4-STUBKEY	254	300-084	262	500-008	259	510-SET-09S	260
3/4-STUBNUT	254	300-088	262	500-009	259	510-SET-15	260
300-004	262	300-092	262	500-010	259	510-SET-16	260
300-005	262	300-096	262	500-011	259	510-SET-16S	260
300-006	262	300-100	262	500-012	259	510-SET-17	260
300-007	262	300-104	262	500-013	259	510-SET-18	260
300-008	262	300-108	262	500-014	259	510-SET-24-MM	260
300-009	262	300-112	262	500-015	259	510-SET-29	260
300-010	262	300DA-3	241	500-016	259	510-SET-31	260
300-011	262	300DA-4	241	500-017	259	510-SET-31S	260
300-012	262	300DA-NUT	241	500-018	259	510-SET-33	260
300-013	262	300-SET-08	262	500-019	259	510-SET-35	260
300-014	262	300-SET-18	262	500-020	259	510-SET-61	260
300-015	262	300-SET-29	262	500-021	259	510-SET-61S	260
300-016	262	300-SET-32	262	500-022	259	510-SET-65	260
300-017	262	32-KEYSET	188	500-023	259	510-SET-65S	260
300-018	262	330-016	263	500-024	259	510-SET-69	260
300-019	262	330-020	263	500-025	259	520-003	259
300-020	262	330-024	263	500-026	259	520-004	259
300-021	262	330-028	263	500-027	259	520-005	259
300-022	262	330-032	263	500-028	259	520-006	259
300-023	262	330-036	263	500-029	259	520-007	259
300-024	262	330-040	263	500-030	259	520-008	259
300-025	262	330-044	263	500-031	259	520-009	259
300-026	262	330-048	263	500-032	259	520-010	259
300-027	262	330-052	263	500-033	259	520-011	259
300-028	262	330-056	263	500-034	259	520-012	259
300-029	262	330-060	263	500-035	259	520-013	259
300-030	262	330-064	263	500-036	259	520-014	259
300-031	262	330-068	263	500-037	259	520-015	259
300-032	262	330-072	263	500-038	259	520-016	259
300-033	262	330-076	263	500-039	259	520-017	259
300-034	262	330-080	263	500-040	259	520-018	259
300-035	262	330-084	263	500-041	259	520-019	259
300-036	262	330-088	263	500-042	259	520-020	259
300-037	262	330-092	263	500-043	259	520-021	259
300-038	262	330-096	263	500-044	259	520-022	259
300-039	262	340-016	263	500-045	259	520-023	259
300-040	262	340-020	263	500-046	259	520-024	259
300-041	262	340-024	263	500-047	259	520-025	259
300-042	262	340-028	263	500-048	259	520-026	259
300-043	262	340-032	263	500-049	259	530-008	260
300-044	262	340-036	263	500-050	259	530-012	260
300-045	262	340-040	263	500-051	259	530-016	260
300-046	262	340-044	263	500-052	259	530-020	260
300-047	262	340-048	263	500-053	259	530-024	260
300-048	262	340-052	263	500-054	259	530-028	260
300-049	262	340-056	263	500-055	259	530-032	260

# TECHNICAL / INDEX

## INDEX

Part Number	Page	Part Number	Page	Part Number	Page	Part Number	Page	Part Number	Page
530-036	260	810-SET-06	258	A5/8-11	188	B4001-0750-1.75CP	181	B4007-0020-2.50	54
530-040	260	810-SET-08	258	A5/8-18	188	B4001-1000-1.75CP	181	B4007-0020-4.00	54
530-044	260	810-SET-11	258	ATC-ALIGN-BT30	275	B4001-1500-2.00CP	181	B4007-0020-6.00	54
530-048	260	810-SET-12	258	ATC-ALIGN-BT40	275	B4001-22-50	181	B4007-0025-2.25	54
530-052	260	810-SET-13	258	ATC-ALIGN-BT50	275	B4001-27-50	181	B4007-0025-4.00	54
530-056	260	810-SET-14	258	ATC-ALIGN-CAT40	275	B4001-32-50	181	B4007-0025-6.00	54
540-008	260	810-SET-21	258	ATC-ALIGN-CAT40-MZ	275	B4001-40-60	181	B4007-0032-3.13	54
540-012	260	810-SET-23	258	ATC-ALIGN-CAT50	275	B4002-1000-5.18	253	B4007-0032-5.00	54
540-016	260	810-SET-25	258	ATC-ALIGN-CAT50-MZ	275	B4002-1250-5.32	253	B4007-0040-3.13	54
540-020	260	810-SET-27	258	ATC-ALIGN-HSK100A	275	B4002-1500-5.60	253	B4007-0100-3.50	237
540-024	260	820-003	258	ATC-ALIGN-HSK63A	275	B4003-0002-1.61	194	B4007-0180-4.00	237
540-028	260	820-004	258	B3001-0500-1.19CP	181	B4003-0003-1.75	194	B4007-0200-3.00	237
540-032	260	820-005	258	B3001-0750-1.19CP	181	B4003-0006-1.61	194	B4007-0300-3.00	237
540-036	260	820-006	258	B3001-1000-1.19CP	181	B4003-0033-1.61	194	B4007-0750-3.00	231
540-040	260	820-007	258	B3002-0750-4.97	253	B4004-0001-1.75	197	B4007-1000-3.50	231
540-044	260	820-008	258	B3002-1000-5.17	253	B4004-0002-2.36	197	B4008-0013	255
540-048	260	820-009	258	B3003-0001-1.06	194	B4004-0003-3.00	197	B40-1500(R)-EU	270
550-002	260	820-010	258	B3003-0002-1.02	194	B4004-0004-3.54	197	B40-1500-EU	270
550-003	260	820-011	258	B3003-0003-0.98	194	B4005-0562-2.91	203	B40-1500-MORI-EU	270
550-004	260	820-012	258	B3003-0006-1.02	194	B4005-0562-3.98(C)	203	B4016-0312-4.00	165
550-005	260	820-013	258	B3003-0033-1.02	194	B4005-0875-3.86	203	B4017-0100-6.00	237
550-006	260	820-014	258	B3004-0001-1.75	197	B4005-0875-5.36(C)	203	B4017-0180-6.00	237
560-001B	259	820-015	258	B3004-0002-2.36	197	B4005-1375-7.64	203	B4017-1000-5.50	231
560-001S	259	820-016	258	B3005-0562-2.40	203	B4005-1375-9.21(C)	203	B40-4500(H)-EU	270
570-ADJ	261	820-017	258	B3005-0562-4.37(C)	203	B4006-0125-1.38	165	B40-4500-EU	270
570-BLOCK	261	820-018	258	B3006-0125-2.36	164	B4006-0125-2.36	165	B40-6000	270
570-CLOSE	261	820-019	258	B3006-0187-2.36	164	B4006-0125-4.00	165	B40-6000(H)	270
570-HEX	261	820-020	258	B3006-0250-2.36	164	B4006-0187-2.50	165	B40-9000-EU	270
570-RING	261	820-SET-18-MM	258	B3006-0312-2.36	164	B4006-0187-4.00	165	B40-FADAL	270
570-SQUARE	261	830-008-1.33	172	B3006-0375-2.36	164	B4006-0250-1.38	165	B40R5-0562-2.84	204
570-USA	261	830-012-1.33	172	B3006-0437-2.36	164	B4006-0250-2.50	165	B40R5-0562-2.87(C)	204
580-SET-06-SQ	260	830-016-1.33	172	B3006-0500-2.36	164	B4006-0250-4.00	165	B40R5-0875-3.50	204
580-SET-07-HEX	260	830-020-1.33	172	B3006-0625-2.50	164	B4006-0312-2.50	165	B40R5-0875-3.50(C)	204
580-SET-11-SQ	260	830-024-1.33	172	B3006-0750-3.00	164	B4006-0375-2.50	165	B40R5-1375-5.91	204
580-SET-13-HEX	260	830-028-1.33	172	B3006-0875-3.54	164	B4006-0375-4.00	165	B40R5-1375-5.91(C)	204
5C-WRENCH	261	830-032-1.33	172	B3006-1000-3.54	164	B4006-0437-2.50	165	B40-STD	270
750TL-3(C)	155	830-040-1.50	172	B3006-10-2.50	164	B4006-0500-1.75	165	B5001-0750-1.75CP	182
75TG-NUT	236	830-048-2.37	172	B3006-12-2.50	164	B4006-0500-2.50	165	B5001-1000-1.75CP	182
800-004	258	830-056-2.75	172	B3006-16-2.50	164	B4006-0500-4.00	165	B5001-1000-4.00CP	182
800-006	258	830-064-3.25	172	B3006-20-3.50	164	B4006-0625-1.75	165	B5001-1000-6.00CP	182
800-008	258	830-080-3.25	172	B3006-25-3.50	164	B4006-0625-2.50	165	B5001-1250-2.00CP	182
800-010	258	830-096-3.75	172	B3006-6-2.50	164	B4006-0625-4.00	165	B5001-1500-2.00CP	182
800-012	258	840-002-0.44	198	B3007-0008-2.00	53	B4006-0750-1.75	165	B5001-1500-6.00CP	182
800-014	258	840-003-2.56	198	B3007-0008-4.00M	53	B4006-0750-2.50	165	B5001-2000-2.00CP	182
800-016	258	850-032-1.00	187	B3007-0011-2.00	53	B4006-0750-4.00	165	B5003-0002-1.61	194
800-018	258	850-048-1.00	187	B3007-0011-4.00	53	B4006-0875-3.38	165	B5003-0003-1.57	194
800-020	258	850-064-1.00	187	B3007-0016-2.36	53	B4006-1000-2.00	165	B5003-0004-1.49	194
800-022	258	850-080-1.00	187	B3007-0016-4.00	53	B4006-1000-3.56	165	B5003-0006-1.61	194
800-024	258	850-096-1.75	187	B3007-0016-5.00	53	B4006-10-2.50	165	B5003-0033-1.61	194
800-026	258	860-001S	258	B3007-0020-2.50	53	B4006-12-2.50	165	B5004-0002-1.75	197
800-028	258	870-001-0.13	195	B3007-0020-4.00	53	B4006-1250-2.00	165	B5004-0003-1.75	197
800-030	258	870-002-0.13	195	B3007-0025-2.00	53	B4006-1250-3.56	165	B5004-0004-3.00	197
800-032	258	870-003-0.13	195	B3007-0025-4.00	53	B4006-14-2.50	165	B5004-0005-4.13	197
800-034	258	870-006-0.13	195	B3007-0032-3.00	53	B4006-1500-4.50	165	B5005-0562-3.26	203
800-036	258	870-033-0.13	195	B3007-0032-5.00	53	B4006-16-2.50	165	B5005-0562-4.33(C)	203
800-038	258	9HC16	41	B3007-0100-3.00	237	B4006-18-2.50	165	B5005-0875-4.21	203
800-040	258	9HC22	41, 155	B3007-0180-3.00	237	B4006-20-2.50	165	B5005-0875-5.75(C)	203
800-042	258	9HC25	155	B3007-0200-3.00	237	B4006-25-3.56	165	B5005-1375-6.73	203
800-044	258	9HC32	155	B3007-0300-3.00	237	B4006-32-3.56	165	B5005-1375-8.30(C)	203
800-046	258	9HC50	155	B3007-0750-2.50	231	B4006-6-2.50	165	B5006-0250-3.00	166
800-048	258	9NPU-13	193	B3007-1000-3.94	231	B4006-8-2.50	165	B5006-0250-6.00	166
800-050	258	9NPU-8	193	B3008-0008	255	B4007-0008-4.00M	54	B5006-0375-2.75	166
800-052	258	A1/2-20	188	B30-4500-EU	270	B4007-0011-2.50	54	B5006-0375-6.00	166
800-054	258	A1/4-28	188	B30-6000-EU	270	B4007-0011-4.00	54	B5006-0500-3.00	166
800-056	258	A1-14	188	B30R5-0562-2.28(C)	204	B4007-0011-6.00	54	B5006-0500-6.00	166
800-064	258	A3/4-16	188	B30R5-0562-2.36	204	B4007-0016-3.50	54	B5006-0625-3.00	166
8-1/2N	196	A3/8-24	188	B4001-0500-1.75CP	181	B4007-0016-5.00	54	B5006-0750-3.00	166

## INDEX

Part Number	Page	Part Number	Page	Part Number	Page	Part Number	Page	Part Number	Page
B5006-0750-6.00	166	BT30-SK16-60	20	BT40-SF0312-5.12CP	111	BT50-C3/4-105	144	BT50-VC13-165	81
B5006-1000-4.00	166	BT30-SK16-60P	22	BT40-SF0312-6.30CP	112	BT50-C3/4-105G	145	BT50-VC6-105	81
B5006-1000-6.00	166	BT30-SK16-90	20	BT40-SF0375-3.54CP	111	BT50-C3/4-135	144	BT50-VC6-135	81
B5006-1250-4.00	166	BT30-SK16-90P	22	BT40-SF0375-5.12CP	111	BT50-C3/4-135G	145	BT50-VC6-165	81
B5006-1250-6.00	166	BT30-SK20-60	20	BT40-SF0375-6.30CP	112	BT50-C32-105	144	C22GUX-NK1010	284
B5006-1500-4.50	166	BT30-SK20-60P	22	BT40-SF0500-3.54CP	111	BT50-C32-120	144	C22GUX-NK5050	284
B5006-2000-5.00	166	BT30-SK20-90	20	BT40-SF0500-5.12CP	111	BT50-C32-135	144	C32GUX-NK1010	282
B5007-0016-4.12	55	BT30-SK20-90P	22	BT40-SF0500-6.30CP	112	BT50-C32-165	144	C32GUX-NK2020	282
B5007-0016-6.00	55	BT30-SK25-90	22	BT40-SF0625-3.54CP	111	BT50-C32-165G	145	C3-ER16-45	64
B5007-0020-2.75	55	BT30-SK25-90P	22	BT40-SF0625-6.30CP	112	BT50-C32-200	144	C3-ER20-45	64
B5007-0020-4.00	55	BT30-SK6-120	20	BT40-SF0750-3.54CP	111	BT50-C32-250	144	C3-TUBE	75
B5007-0025-2.63	55	BT30-SK6-120P	22	BT40-SF0750-6.30CP	112	BT50-C32-300	144	C3-WRENCH	75
B5007-0025-4.00	55	BT30-SK6-60	20	BT40-SF1000-3.94CP	111	BT50-C32-400	144	C4001-0500-1.75CP	177
B5007-0032-4.00	55	BT30-SK6-60P	22	BT40-SF1000-6.30CP	112	BT50-C32-500	144	C4001-0750-1.75CP	177
B5007-0032-6.00	55	BT30-SK6-90	20	BT40-SK10-120	21	BT50-C32-90	144	C4001-0750-4.00CP	177
B5007-0040-4.00	55	BT30-SK6-90P	22	BT40-SK10-120P	22	BT50-C32-90G	145	C4001-1000-1.75CP	177
B5007-0040-6.00	55	BT30-TB1.1/4-10.00NF	280	BT40-SK10-150	21	BT50-MMC12C-105-AA	92	C4001-1000-4.00CP	177
B5007-1000-3.50	231	BT30-VC13-120	81	BT40-SK10-150P	22	BT50-MMC12C-135-AA	92	C4001-1250-2.00CP	177
B5008-0013	255	BT30-VC13-60	81	BT40-SK10-180	21	BT50-MMC4-105-AA	92	C4001-1250-4.00CP	177
B50-4500(H)-EU	270	BT30-VC13-90	81	BT40-SK10-60	21	BT50-MMC8C-105-AA	92	C4001-1500-2.00CP	177
B50-4500-EU	270	BT30-VC6-45	81	BT30-VC6-60P	22	BT50-MMC8C-135-AA	92	C4001-1500-4.00CP	177
B50-6000(H)-EU	270	BT30-VC6-60	81	BT40-SK10-90	21	BT50-NPU13-130	191	C4001-22-50CP	178
B50-9000(H)	270	BT30-VC6-90	81	BT40-SK10-90P	22	BT50-NPU13-190	191	C4001-27-50CP	178
B50-9000-EU	270	BT40-C1.1/4-120	144	BT40-SK13-75	21	BT50-NPU13-90	191	C4001-32-50CP	178
B50F1-2500-3.00	182	BT40-C1.1/4-120G	145	BT40-SK13-90	21	BT50-SF0125-3.94	113	C4001-40-60CP	178
B50R5-0562-3.19	204	BT40-C1.1/4-85	144	BT40-SK16-120	21	BT50-SF0125-6.30	113	C4002-1000-6.17	253
B50R5-0562-3.22(C)	204	BT40-C1.1/4-85G	145	BT40-SK16-120P	22	BT50-SF0250-3.94CP	113	C4002-1250-6.29	253
B50R5-0875-3.85	204	BT40-C1-70	144	BT40-SK16-150	21	BT50-SF0250-6.30CP	113	C4002-1500-6.60	253
B50R5-0875-3.85(C)	204	BT40-C1-70G	145	BT40-SK16-150P	22	BT50-SF0375-3.94CP	113	C4003-0002-1.61	194
B50R5-1375-5.00	204	BT40-C1-90	144	BT40-SK16-180	21	BT50-SF0375-6.30CP	113	C4003-0003-1.58	194
B50R5-1375-5.00(C)	204	BT40-C1-90G	145	BT40-SK16-60	21	BT50-SF0500-3.94CP	113	C4003-0004-1.49	194
BT30-C3/4-75	144	BT40-C3/4-105	144	BT40-SK16-60P	22	BT50-SF0500-6.30CP	113	C4003-0006-1.61	194
BT30-C3/4-75G	145	BT40-C3/4-105G	145	BT40-SK16-90	21	BT50-SF0625-3.94CP	113	C4003-0033-1.61	194
BT30-ER16-100	53	BT40-C3/4-70	144	BT40-SK16-90P	22	BT50-SF0625-6.30CP	113	C4004-0001-1.75	197
BT30-ER16-70	53	BT40-C3/4-70G	145	BT40-SK20-120	21	BT50-SF0750-3.94CP	113	C4004-0002-2.36	197
BT30-ER20-100	53	BT40-C32-105	144	BT40-SK20-60	21	BT50-SF0750-6.30CP	113	C4004-0003-3.00	197
BT30-ER20-63.5	53	BT40-C32-105G	145	BT40-SK20-90	21	BT50-SF1000-3.94CP	113	C4004-0004-3.54	197
BT30-ER25-60	53	BT40-ER16-100	54	BT40-SK25-120	21	BT50-SF1000-6.30CP	113	C4005-0562-2.91	201
BT30-ER25-90	53	BT40-ER16-70	54	BT40-SK25-120P	22	BT50-SF10-160CP	113	C4005-0562-3.98(C)	201
BT30-ER32-100	53	BT40-ER20-100	54	BT40-SK25-75	21	BT50-SF12-160CP	113	C4005-0875-3.86	201
BT30-ER32-70	53	BT40-ER20-70	54	BT40-SK25-75P	22	BT50-SF1250-3.94CP	113	C4005-0875-5.40(C)	201
BT30-MMC12C-105-AA	92	BT40-ER25-100	54	BT40-SK25-90	21	BT50-SF1250-6.30CP	113	C4005-1375-7.97	201
BT30-MMC4-105-AA	92	BT40-ER25-70	54	BT40-SK25-90P	22	BT50-SF16-160CP	113	C4005-1375-9.54(C)	201
BT30-MMC8C-105-AA	92	BT40-ER32-100	54	BT40-SK6-120	21	BT50-SF8-160CP	113	C4006-0125-1.38	159
BT30-MMC8C-65-AT	92	BT40-ER32-70	54	BT40-SK6-120P	22	BT50-SK10-105	21	C4006-0125-2.36	159
BT30-NPU13-95	191	BT40-MMC12C-120-AA	92	BT40-SK6-150	21	BT50-SK10-105P	22	C4006-0125-4.00	159
BT30-NPU8-70	191	BT40-MMC12C-150-AA	92	BT40-SK6-150P	22	BT50-SK10-165	21	C4006-0187-1.38	159
BT30-SF0125-3.15	110	BT40-MMC12C-90-AA	92	BT40-SK6-60	21	BT50-SK10-165P	22	C4006-0187-2.50	159
BT30-SF0125-6.30	110	BT40-MMC4-90-AA	92	BT40-SK6-90	21	BT50-SK10-200	21	C4006-0187-4.00	159
BT30-SF0187-3.15	110	BT40-MMC8C-120-AA	92	BT40-SK6-90P	22	BT50-SK13-250	21	C4006-0250-1.38	159
BT30-SF0250-3.15CP	110	BT40-MMC8C-150-AA	92	BT40-TB1.3/4-14.00NF	280	BT50-SK16-105	21	C4006-0250-1.38	159
BT30-SF0375-3.15CP	110	BT40-MMC8C-90-AA	92	BT40-VC13-120	81	BT50-SK16-105P	22	C4006-0250-2.50	159
BT30-SF0500-3.15CP	110	BT40-NPU13-130	191	BT40-VC13-60	81	BT50-SK16-135	21	C4006-0250-4.00	159
BT30-SF0625-3.15CP	110	BT40-NPU13-80	191	BT40-VC13-90	81	BT50-SK16-165	21	C4006-0250-9.00	159
BT30-SF0750-3.15CP	110	BT40-NPU8-110	191	BT40-VC6-120	81	BT50-SK16-165P	22	C4006-0312-2.50	159
BT30-SK10-45	20	BT40-NPU8-70	191	BT40-VC6-60	81	BT50-SK16-200	21	C4006-0312-4.00	159
BT30-SK10-45P	22	BT40-SF0125-3.54	111	BT40-VC6-90	81	BT50-SK16-200	21	C4006-0375-1.38	159
BT30-SK10-60	20	BT40-SF0125-5.12	111	BT40-VC6-90	81	BT50-SK25-105	21	C4006-0375-2.50	159
BT30-SK10-60P	22	BT40-SF0125-6.30	112	BT50-C1.1/4-105	144	BT50-SK25-105P	22	C4006-0375-4.00	159
BT30-SK10-90	20	BT40-SF0187-3.54	111	BT50-C1.1/4-135	144	BT50-SK25-165	21	C4006-0375-5.00	159
BT30-SK10-90P	22	BT40-SF0187-5.12	111	BT50-C1.1/4-135G	145	BT50-SK25-165P	22	C4006-0375-9.00	159
BT30-SK13-120	20	BT40-SF0187-6.30	112	BT50-C1.1/4-90	144	BT50-SK25-200	21	C4006-0437-2.50	159
BT30-SK13-75	20	BT40-SF0187-6.30CP	112	BT50-C1.1/4-90G	145	BT50-SK6-105	21	C4006-0437-4.00	159
BT30-SK13-90	20	BT40-SF0250-3.54CP	111	BT50-C1-105	144	BT50-SK6-165	21	C4006-0500-1.75	159
BT30-SK13-90P	22	BT40-SF0250-5.12CP	111	BT50-C1-105G	145	BT50-SK6-165P	22	C4006-0500-2.50	159
BT30-SK16-120	20	BT40-SF0250-6.30CP	112	BT50-C1-135	144	BT50-TB2.1/2-14.00NF	280	C4006-0500-4.00	159
BT30-SK16-120P	22	BT40-SF0312-3.54CP	111	BT50-C1-135G	145	BT50-VC13-105	81	C4006-0500-5.00	159
				BT50-C2-105	144	BT50-VC13-135	81	C4006-0500-9.00	159

# TECHNICAL / INDEX

## INDEX

Part Number	Page	Part Number	Page	Part Number	Page	Part Number	Page	Part Number	Page
C4006-0625-1.75	159	C40R5-0875-3.50	202	C5001-27-60CP	178	C5006-2500-6.00	162	C5-ER32-100	64
C4006-0625-3.00	159	C40R5-0875-3.50(C)	202	C5001-32-60CP	178	C5006-25-4.00	162	C5-ER32-57	64
C4006-0625-4.00	159	C40R5-1375-6.24	202	C5001-40-60CP	178	C5006-32-4.00	162	C5-ER40-60	64
C4006-0625-5.50	159	C40R5-1375-6.24(C)	202	C5002-1000-6.17	253	C5006-40-4.50	162	C5-SF0125-2.95	126
C4006-0750-1.75	160	C40S-4500(H)-EU	269	C5002-1250-6.28	253	C5006-42-4.50	162	C5-SF0125-4.72	126
C4006-0750-3.00	160	C40S-4500-EU	269	C5002-1500-6.60	253	C5006-50-5.37	162	C5-SF0187-2.95	126
C4006-0750-4.00	160	C40S-6000-EU	269	C5003-0002-1.61	194	C5006-6-2.50	162	C5-SF0187-4.72	126
C4006-0750-5.50	160	C40S-9000-EU	269	C5003-0003-1.75	194	C5006-8-2.50	162	C5-SF0250-2.95CP	127
C4006-0750-9.00	160	C40-STD-EU	269	C5003-0004-1.49	194	C5007-0016-12.00	51	C5-SF0250-4.72CP	127
C4006-0875-1.75	160	C40-STD-SOLID	269	C5003-0006-1.61	194	C5007-0016-4.12	51	C5-SF0375-2.95CP	127
C4006-0875-3.50	160	C4-EM0250-50	168	C5003-0033-1.61	194	C5007-0016-6.00	51	C5-SF0375-4.72CP	127
C4006-1000-2.00	160	C4-EM0375-50	168	C5004-0002-1.75	197	C5007-0016-8.00	51	C5-SF0500-2.95CP	127
C4006-1000-4.00	160	C4-EM0500-55	168	C5004-0003-1.75	197	C5007-0020-12.00	51	C5-SF0500-4.72CP	127
C4006-1000-6.00	160	C4-EM0625-55	168	C5004-0004-3.00	197	C5007-0020-2.50	51	C5-SF0625-3.15CP	127
C4006-10-2.50	160	C4-ER16-70	64	C5004-0005-4.13	197	C5007-0020-4.00	51	C5-SF0625-4.72CP	127
C4006-12-2.50	160	C4-ER20-52	64	C5005-0562-2.91	201	C5007-0020-6.00	51	C5-SF0750-3.35CP	127
C4006-14-3.00	160	C4-ER25-52	64	C5005-0562-3.98(C)	201	C5007-0020-8.00	51	C5-SF0750-4.72CP	127
C4006-16-3.00	160	C4-ER32-54	64	C5005-0875-3.86	201	C5007-0025-2.50	51	C5-SF12-75CP	127
C4006-20-3.00	160	C4-SF0125-2.95	126	C5005-0875-5.40(C)	201	C5007-0025-4.00	51	C5-SF3-120	126
C4006-25-4.00	160	C4-SF0125-4.72	126	C5005-1375-6.77	201	C5007-0025-6.00	51	C5-SF3-75	126
C4006-32-4.00	160	C4-SF0187-2.95	126	C5005-1375-8.34(C)	201	C5007-0025-8.00	51	C5-SF4-120	126
C4006-6-2.50	160	C4-SF0187-4.72	126	C5006-0250-2.50	161	C5007-0032-12.00	51	C5-SF6-120CP	127
C4006-8-2.50	160	C4-SF0250-2.95CP	127	C5006-0250-4.00	161	C5007-0032-4.00	51	C5-SF6-75CP	127
C4007-0008-2.50	49	C4-SF0250-4.72CP	127	C5006-0250-6.00	161	C5007-0032-6.00	51	C5-SF8-75CP	127
C4007-0008-4.00M	49	C4-SF0375-2.95CP	127	C5006-0250-8.00	161	C5007-0032-8.00	51	C5-SK10-60-IDU	31
C4007-0011-2.50	49	C4-SF0375-4.72CP	127	C5006-0312-2.50	161	C5007-0040-12.00	51	C5-SK13-60-IDU	31
C4007-0011-4.00	49	C4-SF0500-2.95CP	127	C5006-0312-4.00	161	C5007-0040-4.00	51	C5-SK16-60-IDU	31
C4007-0011-6.00	49	C4-SF0500-4.72CP	127	C5006-0312-6.00	161	C5007-0040-6.00	51	C5-SK20-75-IDU	31
C4007-0016-2.25	49	C4-SF0625-3.15CP	127	C5006-0375-2.50	161	C5007-0040-8.00	51	C5-SK25-75-IDU	31
C4007-0016-3.50	49	C4-SF0625-4.72CP	127	C5006-0375-4.00	161	C5007-1000-10.00	230	C5-SK6-60-IDU	31
C4007-0016-6.00	49	C4-SF10-75CP	127	C5006-0375-6.00	161	C5007-1000-3.50	230	C5-SM0750-25CP	185
C4007-0016-9.00	49	C4-SF4-120	126	C5006-0375-8.00	161	C5007-1000-5.50	230	C5-SM1000-25CP	185
C4007-0020-2.50	49	C4-SF4-75	126	C5006-0437-2.50	161	C5007-1000-7.50	230	C5-SM1250-40CP	185
C4007-0020-4.00	49	C4-SF6-120CP	127	C5006-0437-4.00	161	C5008-0013	255	C5-TB40-280	280
C4007-0020-6.00	49	C4-SF6-75CP	127	C5006-0437-6.00	161	C50-1500(ISO)-EU	269	C5-TUBE	41, 75, 130, 173, 188
C4007-0020-9.00	49	C4-SK10-60-IDU	31	C5006-0500-2.63	161	C50-1500-EU	269	C5-WRENCH	41, 75, 130, 173, 188
C4007-0025-2.50	49	C4-SK13-60-IDU	31	C5006-0500-4.00	161	C5017-0180-6.00	237	C6-C1.1/4-120-IDU	150
C4007-0025-4.00	49	C4-SK16-60-IDU	31	C5006-0500-6.00	161	C50-4500(H)-EU	269	C6-C1.1/4-75-IDU	150
C4007-0025-6.00	49	C4-SK20-75-IDU	31	C5006-0500-8.00	161	C50-4500-EU	269	C6-C1.1/4-75-IDU	150
C4007-0032-0.76	49	C4-SK6-60-IDU	31	C5006-0625-3.00	161	C50-6000(H)-EU	269	C6-C1-120-IDU	150
C4007-0032-3.13	49	C4-SM0750-30CP	185	C5006-0625-4.00	161	C50-6000-EU	269	C6-C1-756-IDU	150
C4007-0032-5.00	49	C4-SM1000-30CP	185	C5006-0625-6.00	161	C50-9000(H)-EU	269	C6-C1-75-IDU	150
C4007-0032-9.00	49	C4-TB32-180	280	C5006-0625-8.00	161	C50-9000-EU	269	C6-C1-90-IDU	150
C4007-0040-3.13	49	C4-TUBE	41, 75, 130, 173, 188	C5006-0750-1.75	161	C50-9000-MORI-EU	269	C6-C3/4-120-IDU	150
C4007-0040-5.00	49	C4-WRENCH	41, 75, 130, 173, 188	C5006-0750-3.00	161	C50F1-2000-2.95CP	178	C6-C3/4-756-IDU	150
C4007-0100-3.50	237	C5001-0750-1.75CP	177	C5006-0750-4.00	161	C50F1-2500-2.95CP	178	C6-C3/4-75-IDU	150
C4007-0180-4.00	237	C5001-0750-4.00CP	177	C5006-0750-6.00	161	C50-MAKINO-EU	269	C6-C3/4-75-IDU	150
C4007-0200-3.00	237	C5001-0750-6.00CP	177	C5006-0750-8.00	161	C50-OKUMA(OH)-EU	269	C6-C3/4-75-IDU	150
C4007-0300-3.00	237	C5001-0750-8.00CP	177	C5006-1000-2.00	161	C50R5-0562-2.84	202	C6-EM0250-55	168
C4007-0750-3.00	230	C5001-0750-10.00CP	177	C5006-1000-4.00	161	C50R5-0562-2.87(C)	202	C6-EM0375-60	168
C4007-1000-2.75	230	C5001-1000-1.75CP	177	C5006-1000-6.00	161	C50R5-0875-3.50	202	C6-EM0500-60	168
C4007-1000-3.50	230	C5001-1000-4.00CP	177	C5006-1000-8.00	161	C50R5-0875-3.50(C)	202	C6-EM0625-65	168
C4007-1000-5.50	230	C5001-1000-6.00CP	177	C5006-10-2.50	162	C50R5-1375-5.04	202	C6-EM0750-65	168
C4008-0013	255	C5001-1000-8.00CP	177	C5006-12-2.63	162	C50R5-1375-5.04(C)	202	C6-EM1000-80	168
C40-1500(R)-EU	269	C5001-1000-10.00CP	177	C5006-1250-2.00	162	C50-STD-EU	269	C6-EM1250-90	168
C40-1500-EU	269	C5001-1250-1.75CP	177	C5006-1250-4.00	162	C5-EM0250-50	168	C6-ER16-100	64
C40-1500-MATS-EU	269	C5001-1250-4.00CP	177	C5006-1250-6.00	162	C5-EM0375-55	168	C6-ER20-100	64
C40-1500-MORI-EU	269	C5001-1250-6.00CP	177	C5006-1250-8.00	162	C5-EM0500-60	168	C6-ER20-60	64
C40-1500-SOLID	269	C5001-1250-8.00CP	177	C5006-14-3.00	162	C5-EM0625-60	168	C6-ER25-100	64
C4017-0100-6.00	237	C5001-1500-2.00CP	177	C5006-1500-2.25	162	C5-EM0750-60	168	C6-ER25-60	64
C4017-0180-6.00	237	C5001-1500-4.00CP	177	C5006-1500-4.50	162	C5-EM1000-80	168	C6-ER32-100	64
C40-4500(H)GFAC-EU	269	C5001-1500-6.00CP	177	C5006-1500-7.00	162	C5-ER16-100	64	C6-ER32-130	64
C40-6000(H)-EU	269	C5001-1500-8.00CP	177	C5006-16-3.00	162	C5-ER20-100	64	C6-ER32-60	64
C40-9000(H)-EU	269	C5001-2000-2.00CP	177	C5006-18-3.00	162	C5-ER20-130	64	C6-ER40-65	64
C40-9000-EU	269	C5001-2000-4.00CP	177	C5006-2000-3.63	162	C5-ER20-55	64	C6-MMC8C-120-AT	95
C40R5-0562-2.84	202	C5001-2000-6.00CP	177	C5006-2000-5.37	162	C5-ER25-100	64	C6-SF0125-3.15	126
C40R5-0562-2.87(C)	202	C5001-22-60CP	178	C5006-20-3.00	162	C5-ER25-55	64		

## INDEX

Part Number	Page	Part Number	Page	Part Number	Page	Part Number	Page	Part Number	Page
C6-SF0125-4.72	126			C8-SF6-130CP	129	CAT40-SF0250-3.15MT	107	CAT40-SK20-120U-IDU	14
C6-SF0187-3.15	126	C6-TUBE	41, 130, 155, 173, 188	C8-SF6-85CP	129	CAT40-SF0250-5.12CP	106	CAT40-SK20-120UP-IDU	15
C6-SF0187-4.72	126	C6-TUBE-1	75	C8-SF8-130CP	129	CAT40-SF0250-6.30CP	107	CAT40-SK20-150U-IDU	14
C6-SF0250-3.15CP	128			C8-SF8-85CP	129	CAT40-SF0250-6.30MT	107	CAT40-SK20-180U-IDU	14
C6-SF0250-4.72CP	128	C6-WRENCH	41, 130, 155, 173, 188	C8-SM0750-30CP	185	CAT40-SF0312-3.15CP	106	CAT40-SK20-65U-IDU	14
C6-SF0312-3.15CP	128	C8-C1.1/4-105-IDU	150	C8-SM1000-30CP	185	CAT40-SF0375-3.15CP	106	CAT40-SK20-65UP-IDU	15
C6-SF0375-3.15CP	128	C8-C1.1/4-135-IDU	150	C8-SM1250-30CP	185	CAT40-SF0375-5.12CP	106	CAT40-SK20-90U-IDU	14
C6-SF0375-4.72CP	128	C8-C1.1/4-165-IDU	150			CAT40-SF0375-6.30CP	107	CAT40-SK20-90UP-IDU	15
C6-SF0500-3.15CP	128	C8-C1.1/4-90-IDU	150	C8-TUBE	75, 130, 155, 173, 188	CAT40-SF0375-6.30MT	107	CAT40-SK25-120U-IDU	14
C6-SF0500-4.72CP	128	C8-C1-105-IDU	150			CAT40-SF0437-3.15CP	106	CAT40-SK25-120UP-IDU	15
C6-SF0625-3.35CP	128	C8-C1-135-IDU	150	C8-WRENCH	75, 130, 155, 173, 188	CAT40-SF0500-3.15CP	106	CAT40-SK25-90U-IDU	14
C6-SF0625-4.72CP	128	C8-C1-165-IDU	150	CAT40-C1.1/4-85U-IDU	140	CAT40-SF0500-3.15MT	107	CAT40-SK25-90UP-IDU	15
C6-SF0750-3.35CP	128	C8-C1-90-IDU	150	CAT40-C1.1/4SL-105UG-IDU	141	CAT40-SF0500-5.12CP	106	CAT40-SK6-120U-IDU	14
C6-SF0750-4.72CP	128	C8-C3/4-105-IDU	150	CAT40-C1.1/4SL-105U-IDU	140	CAT40-SF0500-6.30CP	107	CAT40-SK6-120UP-IDU	15
C6-SF0750-6.30CP	128	C8-C3/4-135-IDU	150	CAT40-C1.1/4SL-120UG-IDU	141	CAT40-SF0625-3.15CP	106	CAT40-SK6-150U-IDU	14
C6-SF1000-3.54CP	128	C8-C3/4-165-IDU	150	CAT40-C1.1/4SL-120U-IDU	140	CAT40-SF0625-3.15MT	107	CAT40-SK6-150UP-IDU	15
C6-SF1000-4.72CP	128	C8-C3/4-90-IDU	150	CAT40-C1-105UG-IDU	141	CAT40-SF0625-5.12CP	106	CAT40-SK6-90U-IDU	14
C6-SF10-120CP	128	C8-EM0250-70	168	CAT40-C1-105U-IDU	140	CAT40-SF0625-6.30CP	107	CAT40-SK6-90UP-IDU	15
C6-SF10-80CP	128	C8-EM0375-70	168	CAT40-C1-85U-IDU	141	CAT40-SF0750-3.15CP	106	CAT40-TB1.3/4-14.00NF	280
C6-SF12-120CP	128	C8-EM0500-70	168	CAT40-C1-85U-IDU	140	CAT40-SF0750-5.12CP	106	CAT40-VC13-120U-IDU	80
C6-SF1250-3.74CP	128	C8-EM0625-70	168	CAT40-C3/4-105UG-IDU	141	CAT40-SF0750-6.30CP	107	CAT40-VC13-60U-IDU	80
C6-SF1250-4.72CP	128	C8-EM0750-70	168	CAT40-C3/4-105U-IDU	140	CAT40-SF1000-3.94CP	106	CAT40-VC13-90U-IDU	80
C6-SF12-80CP	128	C8-EM1000-80	168	CAT40-C3/4-120UG-IDU	141	CAT40-SF1000-5.12CP	106	CAT40-VC6-120U-IDU	80
C6-SF14-120CP	128	C8-EM1250-80	168	CAT40-C3/4-120U-IDU	140	CAT40-SF1000-6.30CP	107	CAT40-VC6-60U-IDU	80
C6-SF14-85CP	128	C8-ER20-65	64	CAT40-C3/4-70U-IDU	140	CAT40-SF1000-160CP	107	CAT50-VC6-90U-IDU	80
C6-SF16-120CP	128	C8-ER25-70	64	CAT40-C3/4-85UG-IDU	141	CAT40-SF10-80CP	106	CAT50-C1.1/4-105UG-IDU	141
C6-SF16-85CP	128	C8-ER32-160	64	CAT40-C3/4-85U-IDU	140	CAT40-SF12-160CP	107	CAT50-C1.1/4-105U-IDU	140
C6-SF18-120CP	128	C8-ER32-70	64	CAT40-C32-105U-IDU	140	CAT40-SF12-80CP	106	CAT50-C1.1/4-135UG-IDU	141
C6-SF18-85CP	128	C8-ER40-70	64	CAT40-ER16-2.76	50	CAT40-SF14-80CP	106	CAT50-C1.1/4-135U-IDU	140
C6-SF20-120CP	128	C8-SF0125-3.15	126	CAT40-ER16-4.00	50	CAT40-SF16-160CP	107	CAT50-C1.1/4-165U-IDU	140
C6-SF20-85CP	128	C8-SF0125-5.12	126	CAT40-ER16-6.00	50	CAT40-SF16-80CP	106	CAT50-C1.1/4-90U-IDU	140
C6-SF25-120CP	128	C8-SF0187-3.15	126	CAT40-ER16-8.00	50	CAT40-SF20-160CP	107	CAT50-C1-105UG-IDU	141
C6-SF25-90CP	128	C8-SF0187-5.12	126	CAT40-ER20-2.76	50	CAT40-SF20-80CP	106	CAT50-C1-105U-IDU	140
C6-SF3-120	126	C8-SF0250-3.15CP	129	CAT40-ER20-4.00	50	CAT40-SF25-100CP	106	CAT50-C1-135UG-IDU	141
C6-SF32-120CP	128	C8-SF0250-5.12CP	129	CAT40-ER20-6.00	50	CAT40-SF25-160CP	107	CAT50-C1-135U-IDU	140
C6-SF32-95CP	128	C8-SF0375-3.54CP	129	CAT40-ER20-8.00	50	CAT40-SF3-160	107	CAT50-C2-125U-IDU	140
C6-SF3-80	126	C8-SF0375-5.12CP	129	CAT40-ER25-2.76	50	CAT40-SF3-80	106	CAT50-C3/4-105UG-IDU	141
C6-SF4-120	126	C8-SF0500-3.54CP	129	CAT40-ER25-4.00	50	CAT40-SF4-80	106	CAT50-C3/4-105U-IDU	140
C6-SF4-80	126	C8-SF0500-5.12CP	129	CAT40-ER25-6.00	50	CAT40-SF6-160CP	107	CAT50-C3/4-135UG-IDU	141
C6-SF6-120CP	128	C8-SF0625-3.74CP	129	CAT40-ER25-8.00	50	CAT40-SF6-80CP	106	CAT50-C3/4-135U-IDU	140
C6-SF6-80CP	128	C8-SF0625-5.12CP	129	CAT40-ER32-2.76	50	CAT40-SF8-160CP	107	CAT50-C3/4-165U-IDU	140
C6-SF8-120CP	128	C8-SF0750-3.74CP	129	CAT40-ER32-4.00	50	CAT40-SF8-80CP	106	CAT50-C32-105U-IDU	140
C6-SF8-80CP	128	C8-SF0750-5.12CP	129	CAT40-ER32-6.00	50	CAT40-SK10-120U-IDU	14	CAT50-C32-165U-IDU	140
C6-SK10-120-IDU	31	C8-SF1000-3.94CP	129	CAT40-ER32-8.00	50	CAT40-SK10-120UP-IDU	15	CAT50-ER16-4.00	52
C6-SK10-60-IDU	31	C8-SF1000-5.12CP	129	CAT40-ER40-3.15	50	CAT40-SK10-150U-IDU	14	CAT50-ER16-6.00	52
C6-SK10-90-IDU	31	C8-SF10-130CP	129	CAT40-ER40-4.00	50	CAT40-SK10-150UP-IDU	15	CAT50-ER16-8.00	52
C6-SK13-120-IDU	31	C8-SF10-85CP	129	CAT40-ER40-6.00	50	CAT40-SK10-180U-IDU	14	CAT50-ER20-4.00	52
C6-SK13-60-IDU	31	C8-SF12-130CP	129	CAT40-MMC12C-120U-AA-IDU	91	CAT40-SK10-60U-IDU	14	CAT50-ER20-6.00	52
C6-SK13-90-IDU	31	C8-SF1250-3.94CP	129	CAT40-MMC12C-90U-AA-IDU	91	CAT40-SK10-60UP-IDU	15	CAT50-ER20-8.00	52
C6-SK16-120-IDU	31	C8-SF1250-5.12CP	129	CAT40-MMC4-90U-AA-IDU	91	CAT40-SK10-90U-IDU	14	CAT50-ER25-4.00	52
C6-SK16-60-IDU	31	C8-SF12-85CP	129	CAT40-MMC8C-120U-AA-IDU	91	CAT40-SK10-90UP-IDU	15	CAT50-ER25-6.00	52
C6-SK16-90-IDU	31	C8-SF14-130CP	129	CAT40-MMC8C-125U-AT-IDU	91	CAT40-SK13-120U-IDU	14	CAT50-ER25-8.00	52
C6-SK20-120-IDU	31	C8-SF14-85CP	129	CAT40-MMC8C-135U-AA-IDU	91	CAT40-SK13-120UP-IDU	15	CAT50-ER32-4.00	52
C6-SK20-70-IDU	31	C8-SF16-130CP	129	CAT40-MMC8C-85U-AT-IDU	91	CAT40-SK13-150U-IDU	14	CAT50-ER32-6.00	52
C6-SK20-90-IDU	31	C8-SF16-90CP	129	CAT40-MMC8C-90U-AA-IDU	91	CAT40-SK13-150UP-IDU	15	CAT50-ER32-8.00	52
C6-SK25-120-IDU	31	C8-SF18-130CP	129	CAT40-NPU13-105U-IDU	191	CAT40-SK13-180U-IDU	14	CAT50-ER40-4.00	52
C6-SK25-75-IDU	31	C8-SF18-90CP	129	CAT40-NPU13-130U-IDU	191	CAT40-SK13-90U-IDU	14	CAT50-ER40-6.00	52
C6-SK25-90-IDU	31	C8-SF20-130CP	129	CAT40-NPU8-110U-IDU	191	CAT40-SK13-90UP-IDU	15	CAT50-ER40-8.00	52
C6-SK6-120-IDU	31	C8-SF20-90CP	129	CAT40-NPU8-80U-IDU	191	CAT40-SK16-120U-IDU	14	CAT50-ER50-4.00	52
C6-SK6-60-IDU	31	C8-SF25-130CP	129	CAT40-SF0125-3.15	106	CAT40-SK16-120UP-IDU	15	CAT50-ER50-6.00	52
C6-SK6-90-IDU	31	C8-SF25-90CP	129	CAT40-SF0125-3.15MT	107	CAT40-SK16-150U-IDU	14	CAT50-ER50-8.00	52
C6-SM0750-100CP	185	C8-SF3-130	126	CAT40-SF0125-5.12	106	CAT40-SK16-150UP-IDU	15	CAT50-MMC12C-135U-AA-IDU	91
C6-SM0750-30CP	185	C8-SF32-130CP	129	CAT40-SF0125-6.30	107	CAT40-SK16-180U-IDU	14	CAT50-MMC12C-165U-AA-IDU	91
C6-SM1000-100CP	185	C8-SF32-90CP	129	CAT40-SF0125-6.30MT	107	CAT40-SK16-60U-IDU	14	CAT50-MMC8C-105U-AA-IDU	91
C6-SM1000-30CP	185	C8-SF3-85	126	CAT40-SF0187-3.15	106	CAT40-SK16-60UP-IDU	15	CAT50-MMC8C-135U-AA-IDU	91
C6-SM1250-30CP	185	C8-SF4-130	126	CAT40-SF0187-5.12	106	CAT40-SK16-90U-IDU	14	CAT50-MMC8C-165U-AA-IDU	91
C6-TB40-352	280	C8-SF4-85	126	CAT40-SF0250-3.15CP	106	CAT40-SK16-90UP-IDU	15	CAT50-NPU13-90U-IDU	191

## INDEX

Part Number	Page	Part Number	Page	Part Number	Page	Part Number	Page	Part Number	Page
CAT50-NPU8-80U-IDU	191	CAT50-SK6-165U-IDU	14	CCK32-1/4	154	CKFN25(1)-10C	153	CKFN32(1.1/4)-3/4	154
CAT50-SF0125-3.15	108	CAT50-SK6-165UP-IDU	15	CCK32-10	154	CKFN25(1)-12	153	CKFN32(1.1/4)-3/4C	154
CAT50-SF0125-6.30	109	CAT50-SK6-195U-IDU	14	CCK32-11	154	CKFN25(1)-12C	153	CKFN32(1.1/4)-3/8	154
CAT50-SF0250-3.15CP	108	CAT50-TB2.1/2-14.00NF	280	CCK32-12	154	CKFN25(1)-14	153	CKFN32(1.1/4)-3/8C	154
CAT50-SF0250-5.12CP	108	CAT50-VC13-105U-IDU	80	CCK32-14	154	CKFN25(1)-14C	153	CKFN32(1.1/4)-3/2D	154
CAT50-SF0250-6.30CP	109	CAT50-VC13-135U-IDU	80	CCK32-15	154	CKFN25(1)-16	153	CKFN32(1.1/4)-3/2C	154
CAT50-SF0375-3.15CP	108	CAT50-VC13-165U-IDU	80	CCK32-16	154	CKFN25(1)-16C	153	CKFN32(1.1/4)-5/16	154
CAT50-SF0375-5.12CP	108	CAT50-VC6-105U-IDU	80	CCK32-18	154	CKFN25(1)-18	153	CKFN32(1.1/4)-5/16C	154
CAT50-SF0375-6.30CP	109	CCK1.1/4-1	154	CCK32-20	154	CKFN25(1)-18C	153	CKFN32(1.1/4)-5/8	154
CAT50-SF0500-3.15CP	108	CCK1.1/4-1/2	154	CCK32-24	154	CKFN25(1)-19	153	CKFN32(1.1/4)-5/8C	154
CAT50-SF0500-5.12CP	108	CCK1.1/4-1/4	154	CCK32-28	154	CKFN25(1)-19C	153	CKFN32(1.1/4)-6	154
CAT50-SF0500-6.30CP	109	CCK1.1/4-10	154	CCK32-3/16	154	CKFN25(1)-19C	153	CKFN32(1.1/4)-6C	154
CAT50-SF0625-3.15CP	108	CCK1.1/4-12	154	CCK32-3/4	154	CKFN25(1)-20	153	CKFN32(1.1/4)-7/16	154
CAT50-SF0625-5.12CP	108	CCK1.1/4-14	154	CCK32-3/8	154	CKFN25(1)-20C	153	CKFN32(1.1/4)-7/16C	154
CAT50-SF0625-6.30CP	109	CCK1.1/4-16	154	CCK32-5/16	154	CKFN25(1)-25D	153	CKFN32(1.1/4)-7/8	154
CAT50-SF0750-3.15CP	108	CCK1.1/4-20	154	CCK32-5/8	154	CKFN25(1)-3/16	153	CKFN32(1.1/4)-7/8C	154
CAT50-SF0750-5.12CP	108	CCK1.1/4-25	154	CCK32-6	154	CKFN25(1)-3/16C	153	CKFN32(1.1/4)-8	154
CAT50-SF0750-6.30CP	109	CCK1.1/4-3/16	154	CCK32-7/16	154	CKFN25(1)-3/4	153	CKFN32(1.1/4)-8C	154
CAT50-SF1000-3.94CP	108	CCK1.1/4-3/4	154	CCK32-7/8	154	CKFN25(1)-3/4C	153	CKFN32(1.1/4)-9/16	154
CAT50-SF1000-5.12CP	108	CCK1.1/4-3/8	154	CCK32-8	154	CKFN25(1)-3/8	153	CKFN32(1.1/4)-9/16C	154
CAT50-SF1000-6.30CP	109	CCK1.1/4-5/16	154	CCK32-9/16	154	CKFN25(1)-3/8C	153	CKFN50(2)-1	154
CAT50-SF10-160CP	109	CCK1.1/4-5/8	154	CCKL20	153	CKFN25(1)-5/16	153	CKFN50(2)-1.1/2	154
CAT50-SF10-80CP	108	CCK1.1/4-6	154	CCKL25	153	CKFN25(1)-5/16C	153	CKFN50(2)-1.1/2C	154
CAT50-SF12-160CP	109	CCK1.1/4-7/16	154	CCKL32	154	CKFN25(1)-5/8	153	CKFN50(2)-1.1/4	154
CAT50-SF1250-3.94CP	108	CCK1.1/4-7/8	154	CCKL50	154	CKFN25(1)-5/8C	153	CKFN50(2)-1.1/4C	154
CAT50-SF1250-5.12CP	108	CCK1.1/4-8	154	CKFN20(3/4)-1/2	153	CKFN25(1)-6	153	CKFN50(2)-1C	154
CAT50-SF1250-6.30CP	109	CCK1.1/4-9/16	154	CKFN20(3/4)-1/2C	153	CKFN25(1)-6C	153	CLEH-HSK100-R	279
CAT50-SF12-80CP	108	CCK1-1/2	153	CKFN20(3/4)-1/4	153	CKFN25(1)-7/16	153	CLEH-HSK63-R	279
CAT50-SF16-160CP	109	CCK1-1/4	153	CKFN20(3/4)-1/4C	153	CKFN25(1)-7/16C	153	CLEH-NT30-R	279
CAT50-SF16-80CP	108	CCK1-1/8	153	CKFN20(3/4)-1/8	153	CKFN25(1)-7/8	153	CLEH-NT40-R	279
CAT50-SF20-160CP	109	CCK1-10	153	CKFN20(3/4)-1/8C	153	CKFN25(1)-7/8C	153	CLEH-NT50-R	279
CAT50-SF25-100CP	108	CCK1-12	153	CKFN20(3/4)-10	153	CKFN25(1)-8	153	CRE-2/1	222
CAT50-SF25-160CP	109	CCK1-14	153	CKFN20(3/4)-10C	153	CKFN25(1)-8C	153	CRE-3/2	222
CAT50-SF3-160	109	CCK1-16	153	CKFN20(3/4)-12	153	CKFN25(1)-9/16	153	D43GUX-NK1010	282
CAT50-SF32-160CP	109	CCK1-18	153	CKFN20(3/4)-12C	153	CKFN25(1)-9/16C	153	D43GUX-NK5050	282
CAT50-SF3-80	108	CCK1-20	153	CKFN20(3/4)-14	153	CKFN32(1.1/4)-1	154	E08-NUT-MINI	74
CAT50-SF6-160CP	109	CCK1-3/16	153	CKFN20(3/4)-14C	153	CKFN32(1.1/4)-1.1/4D	154	E11-002	65
CAT50-SF6-80CP	108	CCK1-3/4	153	CKFN20(3/4)-16	153	CKFN32(1.1/4)-1.1/4DC	154	E11-003	65
CAT50-SF8-160CP	109	CCK1-3/8	153	CKFN20(3/4)-16C	153	CKFN32(1.1/4)-1/2	154	E11-004	65
CAT50-SF8-80CP	108	CCK1-5/16	153	CKFN20(3/4)-20DC	153	CKFN32(1.1/4)-1/2C	154	E11-005	65
CAT50-SK10-105U-IDU	14	CCK1-5/8	153	CKFN20(3/4)-3/16	153	CKFN32(1.1/4)-1/4	154	E11-006	65
CAT50-SK10-105UP-IDU	15	CCK1-6	153	CKFN20(3/4)-3/16C	153	CKFN32(1.1/4)-1/4C	154	E11-007	65
CAT50-SK10-165U-IDU	14	CCK1-7/16	153	CKFN20(3/4)-3/4D	153	CKFN32(1.1/4)-10	154	E11-008	65
CAT50-SK10-165UP-IDU	15	CCK1-7/8	153	CKFN20(3/4)-3/4DC	153	CKFN32(1.1/4)-10C	154	E11-009	65
CAT50-SK10-195U-IDU	14	CCK1-8	153	CKFN20(3/4)-3/8	153	CKFN32(1.1/4)-11	154	E11-010	65
CAT50-SK10-195UP-IDU	15	CCK1-9/16	153	CKFN20(3/4)-3/8C	153	CKFN32(1.1/4)-11C	154	E11-011	65
CAT50-SK10-225U-IDU	14	CCK2-1	154	CKFN20(3/4)-5/16	153	CKFN32(1.1/4)-12	154	E11-012	65
CAT50-SK13-105U-IDU	14	CCK2-1.1/2	154	CKFN20(3/4)-5/16C	153	CKFN32(1.1/4)-12C	154	E11-012(C)	65
CAT50-SK13-105UP-IDU	15	CCK2-1.1/4	154	CKFN20(3/4)-5/8	153	CKFN32(1.1/4)-14	154	E11-013	65
CAT50-SK13-165U-IDU	14	CCK3/4-1/2	153	CKFN20(3/4)-5/8C	153	CKFN32(1.1/4)-14C	154	E11-013(C)	65
CAT50-SK13-165UP-IDU	15	CCK3/4-1/4	153	CKFN20(3/4)-6	153	CKFN32(1.1/4)-15	154	E11-014	65
CAT50-SK13-195U-IDU	14	CCK3/4-1/8	153	CKFN20(3/4)-6C	153	CKFN32(1.1/4)-15C	154	E11-014(C)	65
CAT50-SK16-105U-IDU	14	CCK3/4-10	153	CKFN20(3/4)-7	153	CKFN32(1.1/4)-16	154	E11-015	65
CAT50-SK16-105UP-IDU	15	CCK3/4-12	153	CKFN20(3/4)-7/16	153	CKFN32(1.1/4)-16C	154	E11-015(C)	65
CAT50-SK16-165U-IDU	14	CCK3/4-14	153	CKFN20(3/4)-7/16C	153	CKFN32(1.1/4)-18	154	E11-016	65
CAT50-SK16-165UP-IDU	15	CCK3/4-16	153	CKFN20(3/4)-7C	153	CKFN32(1.1/4)-18C	154	E11-016(C)	65
CAT50-SK16-195U-IDU	14	CCK3/4-3/16	153	CKFN20(3/4)-8	153	CKFN32(1.1/4)-18C	154	E11-017	65
CAT50-SK16-195UP-IDU	15	CCK3/4-3/8	153	CKFN20(3/4)-8C	153	CKFN32(1.1/4)-20	154	E11-017(C)	65
CAT50-SK20-105U-IDU	14	CCK3/4-5/16	153	CKFN20(3/4)-9/16	153	CKFN32(1.1/4)-20C	154	E11-039	65
CAT50-SK20-195U-IDU	14	CCK3/4-5/8	153	CKFN20(3/4)-9/16C	153	CKFN32(1.1/4)-24	154	E11-059	65
CAT50-SK25-105UP-IDU	15	CCK3/4-6	153	CKFN25(1)-1/2	153	CKFN32(1.1/4)-24C	154	E11-078	65
CAT50-SK25-165U-IDU	14	CCK3/4-7	153	CKFN25(1)-1/2C	153	CKFN32(1.1/4)-25	154	E11-098	65
CAT50-SK25-165UP-IDU	15	CCK3/4-7/16	153	CKFN25(1)-1/4	153	CKFN32(1.1/4)-25C	154	E11-118	65
CAT50-SK25-195U-IDU	14	CCK3/4-8	153	CKFN25(1)-1/4C	153	CKFN32(1.1/4)-28	154	E11-137	65
CAT50-SK25-195UP-IDU	15	CCK3/4-9/16	153	CKFN25(1)-1/8	153	CKFN32(1.1/4)-28C	154	E11-157	65
CAT50-SK6-105U-IDU	14	CCK32-1	154	CKFN25(1)-1/8C	153	CKFN32(1.1/4)-3/16	154	E11-157(C)	65
CAT50-SK6-105UP-IDU	15	CCK32-1/2	154	CKFN25(1)-10	153	CKFN32(1.1/4)-3/16C	154	E11-177	65

## INDEX

Part Number	Page	Part Number	Page	Part Number	Page	Part Number	Page	Part Number	Page
E11-177(C)	65	E16-216	66	E20-032	67	E25-025(C)	68	E25-NUT-6	74
E11-196	65	E16-216(C)	66	E20-032(C)	67	E25-026	68	E25-NUT-S	74
E11-196(C)	65	E16-236	66	E20-078	67	E25-026(C)	68	E25-SET-13(C)	68
E11-216	65	E16-236(C)	66	E20-098	67	E25-027(C)	68	E25-SET-14-MM	68
E11-216(C)	65	E16-255	66	E20-118	67	E25-028	68	E25-SET-19	68
E11-236	65	E16-255(C)	66	E20-137	67	E25-028(C)	68	E25-SET-21(C)-MM	68
E11-236(C)	65	E16-275	66	E20-157	67	E25-029(C)	68	E32-008	69
E11-255	65	E16-275(C)	66	E20-177	67	E25-030	68	E32-010	69
E11-255(C)	65	E16-295	66	E20-196	67	E25-030(C)	68	E32-012	69
E11-275	65	E16-295(C)	66	E20-196(C)	67	E25-031(C)	68	E32-014	69
E11-275(C)	65	E16-314	66	E20-216(C)	67	E25-032	68	E32-016	69
E11-EXT-500	63	E16-314(C)	66	E20-236	67	E25-032(C)	68	E32-016(C)	69
E11-EXT-625	63	E16-334	66	E20-236(C)	67	E25-033(C)	68	E32-017(C)	69
E11-EXT-750	63	E16-334(C)	66	E20-255(C)	67	E25-034	68	E32-018	69
E11-NUT	74	E16-354	66	E20-275	67	E25-034(C)	68	E32-018(C)	69
E11-NUT-MINI	74	E16-354(C)	66	E20-275(C)	67	E25-035(C)	68	E32-019(C)	69
E11-SET-06(C)	65	E16-374	66	E20-295(C)	67	E25-036	68	E32-020	69
E11-SET-07(C)-MM	65	E16-374(C)	66	E20-314	67	E25-036(C)	68	E32-020(C)	69
E11-SET-12-MM	65	E16-393	66	E20-314(C)	67	E25-037(C)	68	E32-021(C)	69
E11-SET-14	65	E16-393(C)	66	E20-334(C)	67	E25-038	68	E32-022	69
E16-002	66	E16-EXT-100	63	E20-354	67	E25-038(C)	68	E32-022(C)	69
E16-004	66	E16-EXT-625	63	E20-354(C)	67	E25-039(C)	68	E32-023(C)	69
E16-006	66	E16-EXT-750	63	E20-374(C)	67	E25-040	68	E32-024	69
E16-006(C)	66	E16-NUT	74	E20-393	67	E25-040(C)	68	E32-024(C)	69
E16-007(C)	66	E16-NUT-G	74	E20-393(C)	67	E25-078	68	E32-025(C)	69
E16-008	66	E16-NUT-S	74	E20-413(C)	67	E25-118	68	E32-026	69
E16-008(C)	66	E16-SET-09-MM	66	E20-433	67	E25-137	68	E32-026(C)	69
E16-009(C)	66	E16-SET-11(C)	66	E20-433(C)	67	E25-157	68	E32-027(C)	69
E16-010	66	E16-SET-12	66	E20-452	67	E25-196	68	E32-028	69
E16-010(C)	66	E16-SET-13(C)-MM	66	E20-452(C)	67	E25-236	68	E32-028(C)	69
E16-011(C)	66	E16-SET-15(C)	66	E20-472	67	E25-236(C)	68	E32-029(C)	69
E16-012	66	E20-004	67	E20-472(C)	67	E25-255(C)	68	E32-030	69
E16-012(C)	66	E20-006	67	E20-492(C)	67	E25-275	68	E32-030(C)	69
E16-013(C)	66	E20-008	67	E20-511	67	E25-275(C)	68	E32-031(C)	69
E16-014	66	E20-010	67	E20-511(C)	67	E25-295(C)	68	E32-032	69
E16-014(C)	66	E20-010(C)	67	E20-EXT-100	63	E25-314	68	E32-032(C)	69
E16-015(C)	66	E20-011(C)	67	E20-EXT-125	63	E25-314(C)	68	E32-033(C)	69
E16-016	66	E20-012	67	E20-EXT-750	63	E25-334(C)	68	E32-034	69
E16-016(C)	66	E20-012(C)	67	E20-NUT	74	E25-354	68	E32-034(C)	69
E16-017(C)	66	E20-013(C)	67	E20-NUT-G	74	E25-354(C)	68	E32-035(C)	69
E16-018	66	E20-014	67	E20-NUT-S	74	E25-374(C)	68	E32-036	69
E16-018(C)	66	E20-014(C)	67	E20-SET-11-MM	67	E25-393	68	E32-036(C)	69
E16-019(C)	66	E20-015(C)	67	E20-SET-12(C)	67	E25-393(C)	68	E32-037(C)	69
E16-020	66	E20-016	67	E20-SET-15	67	E25-413(C)	68	E32-038	69
E16-020(C)	66	E20-016(C)	67	E20-SET-17(C)-MM	67	E25-433	68	E32-038(C)	69
E16-021(C)	66	E20-017(C)	67	E25-004	68	E25-433(C)	68	E32-039(C)	69
E16-022	66	E20-018	67	E25-006	68	E25-452	68	E32-040	69
E16-022(C)	66	E20-018(C)	67	E25-008	68	E25-452(C)	68	E32-040(C)	69
E16-023(C)	66	E20-019(C)	67	E25-010	68	E25-472	68	E32-041(C)	69
E16-024	66	E20-020	67	E25-012	68	E25-472(C)	68	E32-042	69
E16-024(C)	66	E20-020(C)	67	E25-014	68	E25-492(C)	68	E32-042(C)	69
E16-025(C)	66	E20-021(C)	67	E25-014(C)	68	E25-511	68	E32-043(C)	69
E16-026	66	E20-022	67	E25-015(C)	68	E25-511(C)	68	E32-044	69
E16-026(C)	66	E20-022(C)	67	E25-016	68	E25-531(C)	68	E32-044(C)	69
E16-039	66	E20-023(C)	67	E25-016(C)	68	E25-551	68	E32-045(C)	69
E16-059	66	E20-024	67	E25-017(C)	68	E25-551(C)	68	E32-046	69
E16-078	66	E20-024(C)	67	E25-018	68	E25-570	68	E32-046(C)	69
E16-098	66	E20-025(C)	67	E25-018(C)	68	E25-570(C)	68	E32-047(C)	69
E16-118	66	E20-026	67	E25-019(C)	68	E25-590	68	E32-048	69
E16-118(C)	66	E20-026(C)	67	E25-020	68	E25-590(C)	68	E32-048(C)	69
E16-137	66	E20-027(C)	67	E25-020(C)	68	E25-610(C)	68	E32-049(C)	69
E16-157	66	E20-028	67	E25-021(C)	68	E25-629	68	E32-050	69
E16-157(C)	66	E20-028(C)	67	E25-022	68	E25-629(C)	68	E32-050(C)	69
E16-177	66	E20-029(C)	67	E25-022(C)	68	E25-EXT-100	63	E32-118	69
E16-177(C)	66	E20-030	67	E25-023(C)	68	E25-EXT-125	63	E32-137	69
E16-196	66	E20-030(C)	67	E25-024	68	E25-EXT-750	63	E32-157	69
E16-196(C)	66	E20-031(C)	67	E25-024(C)	68	E25-NUT	74	E32-196	69

## INDEX

Part Number	Page	Part Number	Page	Part Number	Page	Part Number	Page	Part Number	Page
E32-236	69	E40-030	70	E40-688(C)	70	ET16-SET-04	72	ET32-318(C)	73
E32-275	69	E40-032	70	E40-708	70	ET20-138	71	ET32-323	72
E32-294(C)	69	E40-032(C)	70	E40-708(C)	70	ET20-157	71	ET32-323(C)	73
E32-314	69	E40-034	70	E40-728	70	ET20-168	71	ET32-354	72
E32-314(C)	69	E40-036	70	E40-728(C)	70	ET20-177	71	ET32-354(C)	73
E32-354	69	E40-036(C)	70	E40-748	70	ET20-194	71	ET32-367	72
E32-354(C)	69	E40-038	70	E40-748(C)	70	ET20-197	71	ET32-367(C)	73
E32-364(C)	69	E40-040	70	E40-767	70	ET20-220	71	ET32-381	72
E32-374(C)	69	E40-040(C)	70	E40-767(C)	70	ET20-236	71	ET32-381(C)	73
E32-393	69	E40-042	70	E40-787	70	ET20-255	71	ET32-394	72
E32-393(C)	69	E40-044	70	E40-787(C)	70	ET20-255(C)	73	ET32-429	72
E32-413(C)	69	E40-046	70	E40-807	70	ET20-275	71	ET32-429(C)	73
E32-433	69	E40-048	70	E40-807(C)	70	ET20-315	71	ET32-433	72
E32-433(C)	69	E40-050	70	E40-826	70	ET20-318	71	ET32-433(C)	73
E32-452	69	E40-052	70	E40-826(C)	70	ET20-318(C)	73	ET32-437	72
E32-452(C)	69	E40-054	70	E40-846(C)	70	ET20-323	71	ET32-472	72
E32-472	69	E40-056	70	E40-866	70	ET20-323(C)	73	ET32-480	72
E32-472(C)	69	E40-058	70	E40-866(C)	70	ET20-354	71	ET32-480(C)	73
E32-492(C)	69	E40-060	70	E40-885(C)	70	ET20-367	71	ET32-542	72
E32-511	69	E40-062	70	E40-905	70	ET20-367(C)	73	ET32-542(C)	73
E32-511(C)	69	E40-064	70	E40-905(C)	70	ET20-381	71	ET32-551	72
E32-531(C)	69	E40-1003	70	E40-925(C)	70	ET20-381(C)	73	ET32-562	72
E32-551	69	E40-1003(C)	70	E40-944	70	ET20-394	71	ET32-590	72
E32-551(C)	69	E40-1023	70	E40-944(C)	70	ET20-SET-08	72	ET32-590(C)	73
E32-561(C)	69	E40-1023(C)	70	E40-964(C)	70	ET25-138	71	ET32-630	72
E32-570(C)	69	E40-157	70	E40-984	70	ET25-157	71	ET32-652	72
E32-590	69	E40-196	70	E40-984(C)	70	ET25-168	71	ET32-652(C)	73
E32-590(C)	69	E40-216	70	E40-NUT	74	ET25-177	71	ET32-709	72
E32-610(C)	69	E40-236	70	E40-NUT-G	74	ET25-194	71	ET32-M12	72
E32-629	69	E40-255	70	E40-NUT-S	74	ET25-197	71	ET32-SET-15	72
E32-629(C)	69	E40-275	70	E40-SET-23-MM	70	ET25-220	71	ET40-236	72
E32-649(C)	69	E40-295	70	E40-SET-25	70	ET25-236	71	ET40-255	72
E32-669	69	E40-314	70	E40-SET-33(C)-MM	70	ET25-255	71	ET40-275	72
E32-669(C)	69	E40-334	70	E40-SET-6(C)	70	ET25-255(C)	73	ET40-315	72
E32-688	69	E40-354	70	E50-NUT-S	74	ET25-275	71	ET40-318	72
E32-688(C)	69	E40-374	70	ER08-SCREW(C)	75	ET25-315	71	ET40-323	72
E32-708	69	E40-393	70	ER11-SCREW(C)	75	ET25-318	71	ET40-323(C)	73
E32-708(C)	69	E40-393(C)	70	ER16-SCREW(C)	75	ET25-318(C)	73	ET40-354	72
E32-728(C)	69	E40-413	70	ER20-SCREW(C)	75	ET25-323	71	ET40-354(C)	73
E32-748	69	E40-413(C)	70	ER25-SCREW(C)	75	ET25-323(C)	73	ET40-367	72
E32-748(C)	69	E40-433	70	ER32-SCREW(C)	75	ET25-354	71	ET40-367(C)	73
E32-767	69	E40-433(C)	70	ER40-SCREW(C)	75	ET25-367	71	ET40-381	72
E32-767(C)	69	E40-452	70	ER8-039	65	ET25-367(C)	73	ET40-381(C)	73
E32-787	69	E40-452(C)	70	ER8-059	65	ET25-381	71	ET40-394	72
E32-787(C)	69	E40-472	70	ER8-078	65	ET25-381(C)	73	ET40-429	72
E32-EXT-100	63	E40-472(C)	70	ER8-098	65	ET25-394	71	ET40-429(C)	73
E32-EXT-125	63	E40-492	70	ER8-118	65	ET25-429	71	ET40-433	72
E32-NUT	74	E40-492(C)	70	ER8-137	65	ET25-429(C)	73	ET40-433(C)	73
E32-NUT-G	74	E40-511	70	ER8-157	65	ET25-433	71	ET40-437	72
E32-NUT-S	74	E40-511(C)	70	ER8-177	65	ET25-437	71	ET40-472	72
E32-SET-17(C)	69	E40-531	70	ER8-196	65	ET25-472	71	ET40-480	72
E32-SET-18-MM	69	E40-531(C)	70	ER8-EXT-500M	63	ET25-480	71	ET40-480(C)	73
E32-SET-21	69	E40-551	70	ER8-EXT-625M	63	ET25-480(C)	73	ET40-542	72
E32-SET-21(C)-MM	69	E40-551(C)	70	ER8-SET-09-MM	65	ET25-M8(C)	73	ET40-542(C)	73
E40-010	70	E40-570	70	ET16-138	71	ET25-SET-10	72	ET40-551	72
E40-012	70	E40-570(C)	70	ET16-157	71	ET32-157	72	ET40-562	72
E40-014	70	E40-590	70	ET16-168	71	ET32-168	72	ET40-590	72
E40-016	70	E40-590(C)	70	ET16-177	71	ET32-177	72	ET40-590(C)	73
E40-018	70	E40-610	70	ET16-194	71	ET32-194	72	ET40-630	72
E40-020	70	E40-610(C)	70	ET16-197	71	ET32-197	72	ET40-652	72
E40-020(C)	70	E40-629	70	ET16-220	71	ET32-220	72	ET40-652(C)	73
E40-022	70	E40-629(C)	70	ET16-236	71	ET32-236	72	ET40-687	72
E40-024	70	E40-649	70	ET16-255	71	ET32-255	72	ET40-697	72
E40-024(C)	70	E40-649(C)	70	ET16-255(C)	73	ET32-255(C)	73	ET40-697(C)	73
E40-026	70	E40-669	70	ET16-275	71	ET32-275	72	ET40-700	72
E40-028	70	E40-669(C)	70	ET16-315	71	ET32-315	72	ET40-709	72
E40-028(C)	70	E40-688	70	ET16-318(C)	73	ET32-318	72	ET40-760	72

## INDEX

Part Number	Page	Part Number	Page	Part Number	Page	Part Number	Page	Part Number	Page
ET40-760(C)	73	H100A-SF32-130CP	124	H63A-SF8-120CP	122	HSK100A-SK10C-105-IDU	27	HSK40E-VC6-65	82
ET40-787	72	H100A-SF32-160CP	125	H63A-SF8-160CP	123	HSK100A-SK10C-105P-IDU	29	HSK40E-VC6-90	82
ET40-800	72	H100A-SF4-130CP	124	H63A-SF8-80CP	122	HSK100A-SK10C-120-IDU	27		27, 41, 75,
ET40-800(C)	73	H100A-SF4-160MT	125	HP-100WP	277	HSK100A-SK10C-120P-IDU	29	HSK40-TUBE	88, 173, 188,
ET40-SET-17	72	H100A-SF4-85CP	124	HP-150WP	277	HSK100A-SK10C-150-IDU	27		222
FK-10	74	H100A-SF4-85MT	125	HP-4WP	277	HSK100A-SK10C-150P-IDU	29		27, 41, 75,
FM10	188	H100A-SF6-130CP	124	HP-6WP	277	HSK100A-SK10C-200-IDU	27	HSK40-WRENCH	88, 173, 188,
FM12	188	H100A-SF6-160CP	125	HSK100A-0250-4.00	170	HSK100A-SK16C-120-IDU	27		222
FM16	188	H100A-SF6-160MT	125	HSK100A-0250-6.00	170	HSK100A-SK16C-120P-IDU	29	HSK50-WRENCH	88
FM20	188	H100A-SF6-85CP	124	HSK100A-0312-4.00	170	HSK100A-SK16C-150-IDU	27	HSK63A-0187-3.00	169
GH10	41, 88	H100A-SF6-85MT	125	HSK100A-0312-6.00	170	HSK100A-SK16C-200-IDU	27	HSK63A-0187-5.00	169
GH12	41	H100A-SF8-130CP	124	HSK100A-0375-4.00	170	HSK100A-SK20C-120-IDU	27	HSK63A-0250-3.00	169
GH16	41, 88	H100A-SF8-160CP	125	HSK100A-0375-6.00	170	HSK100A-SK25C-145-IDU	27	HSK63A-0250-5.00	169
GH20	41, 155	H100A-SF8-160MT	125	HSK100A-0437-4.00	170	HSK100A-SK25C-145P-IDU	29	HSK63A-0312-3.00	169
GH25	41, 155	H100A-SF8-85CP	124	HSK100A-0437-6.00	170	HSK100A-SK6C-105-IDU	27	HSK63A-0312-5.00	169
GH32	155	H100A-SF8-85MT	125	HSK100A-0500-4.00	170	HSK100A-0500-4.00CP	184	HSK63A-0375-3.00	169
GH32S	155	H63A-SF0125-3.15	122	HSK100A-0500-6.00	170	HSK100A-SM0750-4.00CP	184	HSK63A-0375-5.00	169
GH6	41	H63A-SF0125-3.15MT	123	HSK100A-0625-4.00	170	HSK100A-SM0750-6.00CP	184	HSK63A-0437-4.00	169
H100A-SF0187-3.74	124	H63A-SF0125-4.72CP	122	HSK100A-0625-6.00	170	HSK100A-SM0750-8.00CP	184	HSK63A-0437-5.00	169
H100A-SF0187-6.30	125	H63A-SF0125-6.30CP	123	HSK100A-0750-4.00	170	HSK100A-SM1000-4.00CP	184	HSK63A-0500-4.00	169
H100A-SF0250-3.54CP	124	H63A-SF0125-6.30MT	123	HSK100A-0750-6.00	170	HSK100A-SM1000-6.00CP	184	HSK63A-0500-5.00	169
H100A-SF0250-6.30CP	125	H63A-SF0187-4.72CP	122	HSK100A-1000-4.00	170	HSK100A-SM1250-4.00CP	184	HSK63A-0625-4.00	169
H100A-SF0312-3.54CP	124	H63A-SF0187-6.30CP	123	HSK100A-1000-6.00	170	HSK100A-SM1250-6.00CP	184	HSK63A-0625-5.00	169
H100A-SF0312-6.30CP	125	H63A-SF0250-3.15CP	122	HSK100A-1250-4.00	170	HSK100A-SM1250-8.00CP	184	HSK63A-0750-4.50	169
H100A-SF0312-6.30MT	124	H63A-SF0250-4.72CP	122	HSK100A-1250-6.00	170	HSK100A-SM1500-4.00CP	184	HSK63A-0750-6.00	169
H100A-SF0375-3.54CP	124	H63A-SF0250-4.72CP	122	HSK100A-1500-4.00	170	HSK100A-SM1500-6.00CP	184	HSK63A-1000-4.50	169
H100A-SF0375-6.30CP	125	H63A-SF0250-6.30CP	123	HSK100A-1500-6.00	170	HSK100A-SM2000-4.00CP	184	HSK63A-1000-6.00	169
H100A-SF0437-3.74CP	124	H63A-SF0250-6.30MT	123	HSK100A-BLANK-13.00	256	HSK100A-SM2000-6.00CP	184	HSK63A-1250-4.50	169
H100A-SF0437-6.30CP	125	H63A-SF0312-3.15CP	122	HSK100A-C1.1/4-115-IDU	148	HSK100A-TB2.1/2-14.00	280	HSK63A-1250-6.00	169
H100A-SF0500-3.74CP	124	H63A-SF0312-4.72CP	122	HSK100A-C1.1/4-165-IDU	148	HSK100A-TC0562-3.23	205	HSK63A-BLANK-13.00	256
H100A-SF0500-6.30CP	125	H63A-SF0312-4.72CP	122	HSK100A-C1.1/4-115-IDU	148	HSK100A-TC0562-5.20(C)	205	HSK63A-C1.1/4-110G-IDU	147
H100A-SF0625-3.94CP	124	H63A-SF0312-5.12CP	122	HSK100A-C1-115-IDU	148	HSK100A-TC0875-4.41	205	HSK63A-C1.1/4-110-IDU	147
H100A-SF0625-6.30CP	125	H63A-SF0312-6.30CP	123	HSK100A-C1-135-IDU	148	HSK100A-TC0875-6.62(C)	205	HSK63A-C1.1/4-130	147
H100A-SF0750-4.13CP	124	H63A-SF0375-3.35CP	122	HSK100A-C3/4-115G-IDU	148	HSK100A-TC1375-7.95	205	HSK63A-C1-100G-IDU	147
H100A-SF0750-6.30CP	125	H63A-SF0375-3.35MT	123	HSK100A-C3/4-115-IDU	148	HSK100A-VC13-105	83	HSK63A-C1-100-IDU	147
H100A-SF1000-4.53CP	124	H63A-SF0375-4.72CP	122	HSK100A-C3/4-135-IDU	148		27, 41, 75, 88, 94,	HSK63A-C1-130	147
H100A-SF1000-6.30CP	125	H63A-SF0375-5.12CP	122	HSK100A-C32-115	148	HSK100-TUBE	130, 155, 173, 188,	HSK63A-C1-130G	147
H100A-SF10-130CP	124	H63A-SF0375-6.30CP	123	HSK100A-C32-135	148		193, 222, 256	HSK63A-C3/4-110G-IDU	147
H100A-SF10-160CP	125	H63A-SF0500-3.54CP	122	HSK100A-C32-165	148		27, 41, 75, 88, 94,	HSK63A-C3/4-110-IDU	147
H100A-SF10-160MT	125	H63A-SF0500-3.54MT	123	HSK100A-C32-250	148	HSK100-WRENCH	130, 155, 173, 188,	HSK63A-C3/4-70P	147
H100A-SF10-90CP	124	H63A-SF0500-4.72CP	122	HSK100A-C32-300	148		193, 222, 256	HSK63A-C3/4-95G-IDU	147
H100A-SF10-90MT	125	H63A-SF0500-5.12CP	122	HSK100A-ER16-4.00	61	HSK125A-C1.1/4-115	148	HSK63A-C3/4-95-IDU	147
H100A-SF12-130CP	124	H63A-SF0500-6.30CP	123	HSK100A-ER16-6.00	61	HSK125A-C1-115	148	HSK63A-ER11-4.33	60
H100A-SF12-160CP	125	H63A-SF0625-3.74CP	122	HSK100A-ER16-100	61	HSK125A-C2-125	148	HSK63A-ER16-3.00	60
H100A-SF12-160MT	125	H63A-SF0625-4.72CP	122	HSK100A-ER16S-160	61	HSK125A-TUBE	155	HSK63A-ER16-5.00	60
H100A-SF1250-4.72CP	124	H63A-SF0625-5.12CP	122	HSK100A-ER20-4.00	61	HSK125-WRENCH	155	HSK63A-ER16S-100	60
H100A-SF1250-6.30CP	125	H63A-SF0625-6.30CP	123	HSK100A-ER20-6.00	61	HSK32E-SK10-60P	28	HSK63A-ER16S-160	60
H100A-SF12-95CP	124	H63A-SF0750-3.94CP	122	HSK100A-ER20-6.00	61	HSK32E-SK6-50P	28	HSK63A-ER16S-80	60
H100A-SF12-95MT	125	H63A-SF0750-4.72CP	122	HSK100A-ER25-4.00	61	HSK32E-WRENCH	88	HSK63A-ER20-3.00	60
H100A-SF14-130CP	124	H63A-SF0750-6.30CP	123	HSK100A-ER25-6.00	61	HSK40A-ER11-75	60	HSK63A-ER20-5.00	60
H100A-SF14-160CP	125	H63A-SF1000-4.53CP	122	HSK100A-ER32-4.00	61	HSK40A-ER16-75	60	HSK63A-ER20S-100	60
H100A-SF14-160MT	125	H63A-SF1000-6.30CP	123	HSK100A-ER32-6.00	61	HSK40A-ER20-75	60	HSK63A-ER20S-160	60
H100A-SF14-95CP	124	H63A-SF10-120CP	122	HSK100A-ER32S-100	61	HSK40A-ER25-80	60	HSK63A-ER25-80	60
H100A-SF16-100CP	124	H63A-SF10-160CP	123	HSK100A-ER40-4.00	61	HSK40A-ER32-80	60	HSK63A-ER25S-3.00	60
H100A-SF16-100MT	125	H63A-SF10-85CP	122	HSK100A-ER40-6.00	61	HSK40A-R0562-2.97(C)	206	HSK63A-ER25S-5.00	60
H100A-SF16-130CP	124	H63A-SF12-120CP	122	HSK100A-ER40S-120	61	HSK40A-R0562-3.15	206	HSK63A-ER25S-150	60
H100A-SF16-160CP	125	H63A-SF12-160CP	123	HSK100A-MMC12C-130-AA	94	HSK40A-SM0750-60CP	184	HSK63A-ER25S-80	60
H100A-SF16-160MT	125	H63A-SF12-90CP	122	HSK100A-MMC8C-117-AT	94	HSK40A-SM1000-60CP	184	HSK63A-ER32-4.00	60
H100A-SF16-80CP	124	H63A-SF14-90CP	122	HSK100A-MMC8C-130-AA	94	HSK40A-VC13-120	82	HSK63A-ER32-6.00	60
H100A-SF18-100CP	124	H63A-SF16-160CP	123	HSK100A-MMC8C-145-AT	94	HSK40A-VC6-65	82	HSK63A-ER32S-100	60
H100A-SF18-130CP	124	H63A-SF16-95CP	122	HSK100A-NPU13C-145-IDU	192	HSK40A-VC6-90	82	HSK63A-ER32S-160	60
H100A-SF18-160CP	125	H63A-SF20-160CP	123	HSK100A-R0562-2.59	206	HSK40A-VC6-90	82	HSK63A-ER40-4.00	60
H100A-SF20-105CP	124	H63A-SF25-160CP	123	HSK100A-R0562-3.09(C)	206	HSK40E-SK10-60P	28	HSK63A-ER40-6.00	60
H100A-SF20-130CP	124	H63A-SF3-80MT	123	HSK100A-R0875-3.42	206	HSK40E-SK16-80P	28	HSK63A-ER40S-120	60
H100A-SF20-160CP	125	H63A-SF3-80MT	123	HSK100A-R0875-3.94(C)	206	HSK40E-SK6-60P	28	HSK63A-ER40S-80	60
H100A-SF25-115CP	124	H63A-SF6-160MT	123	HSK100A-R1375-4.57	206	HSK40E-VC13-120	82	HSK63A-MMC12C-110-AT	94
H100A-SF25-130CP	124	H63A-SF6-80CP	122	HSK100A-R1375-5.32(C)	206	HSK40E-VC13-90	82		

## INDEX

Part Number	Page	Part Number	Page	Part Number	Page	Part Number	Page	Part Number	Page
HSK63A-MMC12C-117-AA	94	K1.1/4-SK25-150	30	KM2-1/4	151	MPK4-2	96	NB3007-0016-4.00G	58
HSK63A-MMC12C-177-AA	94	K1.1/4-SK6-120	30	KM2-3/4	151	MPK4-2.5	96	NB3007-0016-5.00G	58
HSK63A-MMC8C-107-AT-IDU	94	K1.1/4-SK6-170	30	KM3/4-1/2	151	MPK4-3	96	NB3007-0016-6.00G	58
HSK63A-MMC8C-115-AA-IDU	94	K25-SK10-150	30	KM3/4-1/4	151	MPK4-3.5	96	NB3007-0020-2.50G	58
HSK63A-NPU8-120	192	K25-SK6-130	30	KM3/4-1/8	151	MPK4-3/32	96	NB3007-0020-4.00G	58
HSK63A-NPU8-120	192	K-3	196	KM3/4-10	151	MPK4-4	96	NB3007-0025-2.00G	58
HSK63A-R0562-2.48	206	K3/4-MMC8C-100	95	KM3/4-12	151	N3001-0750-1.31	186	NB3007-0025-4.00G	58
HSK63A-R0562-2.76(C)	206	K3/4-SK10-100	30	KM3/4-14	151	N3001-1000-1.31	186	NB3007-0032-3.00G	58
HSK63A-R0875-3.31	206	K3/4-SK10-120	30	KM3/4-16	151	N3003-0002-0.59	195	NB3007-0032-5.00G	58
HSK63A-R0875-3.70(C)	206	K32-SK10-120	30	KM3/4-3/16	151	N3003-0003-0.55	195	NB4001-0750-1.75CP	183
HSK63A-R1375-5.12	206	K32-SK10-210	30	KM3/4-3/8	151	N3003-0006-0.59	195	NB4001-1000-1.75CP	183
HSK63A-SK10C-105-IDU	27	K32-SK16-120	30	KM3/4-5/16	151	N3003-0033-0.59	195	NB4001-1250-2.00CP	183
HSK63A-SK10C-105P-IDU	28	K32-SK16-210	30	KM3/4-5/8	151	N3006-0125-1.75	171	NB4001-1500-2.00CP	183
HSK63A-SK10C-120-IDU	27	K32-SK20-120	30	KM3/4-6	151	N3006-0250-1.75	171	NB4006-0500-4.00CP	167
HSK63A-SK10C-120P-IDU	28	K32-SK20-180	30	KM3/4-7	151	N3006-0375-1.75	171	NB4006-1250-3.56CP	167
HSK63A-SK10C-150-IDU	27	K32-SK6-120	30	KM3/4-7/16	151	N3006-0500-1.75	171	NB4007-0020-2.50G	59
HSK63A-SK10C-150P-IDU	28	K32-SK6-170	30	KM3/4-8	151	N3006-0625-1.75	171	NB4007-0020-4.00G	59
HSK63A-SK16C-120-IDU	27	KM1.1/4-1/2	151	KM3/4-9/16	151	N3006-0750-2.25	171	NB4007-0020-6.00G	59
HSK63A-SK16C-120P-IDU	28	KM1.1/4-1/4	151	KM3/4-SET-07-MM	151	N3006-0875-2.50	171	NB4007-0025-2.25G	59
HSK63A-SK16C-150-IDU	27	KM1.1/4-1/8	151	KM3/4-SET-09	151	N3006-1000-2.69	171	NB4007-0025-4.00G	59
HSK63A-SK16C-150P-IDU	28	KM1.1/4-10	151	KM32-1	151	N3006-1250-3.62	171	NB4007-0025-6.00G	59
HSK63A-SK25C-135-IDU	27	KM1.1/4-11/16	151	KM32-1/2	151	N3007-0011-2.00	62	NB4007-0032-3.13G	59
HSK63A-SK25C-135P-IDU	28	KM1.1/4-12	151	KM32-1/4	151	N3007-0016-1.77	62	NB4007-0032-5.00G	59
HSK63A-SK6C-100-IDU	27	KM1.1/4-14	151	KM32-1/8	151	N3007-0100-2.75	237	NB4007-0032-6.30G	59
HSK63A-SK6C-100P-IDU	28	KM1.1/4-15/16	151	KM32-10	151	N3007-0200-2.50	237	NB4007-C1-75G	146
HSK63A-SK6C-120-IDU	27	KM1.1/4-16	151	KM32-11	151	N4003-0001-0.69	195	NBT30-C1-75G	146
HSK63A-SK6C-120P-IDU	28	KM1.1/4-18	151	KM32-11/16	151	N4003-0002-0.65	195	NBT30-C3/4-70	146
HSK63A-SK6C-150-IDU	27	KM1.1/4-20	151	KM32-12	151	N4003-0003-0.61	195	NBT30-C3/4-75	146
HSK63A-SK6C-150P-IDU	28	KM1.1/4-25	151	KM32-13	151	N4003-0006-0.65	195	NBT30-C3/4-75G	146
HSK63A-SM0750-3.00CP	184	KM1.1/4-3/16	151	KM32-14	151	N4003-0033-0.65	195	NBT30-MMC12C-105-AA	93
HSK63A-SM0750-5.00CP	184	KM1.1/4-3/4	151	KM32-15	151	N4006-0125-2.31	171	NBT30-MMC4-105-AA	93
HSK63A-SM1000-3.00CP	184	KM1.1/4-3/8	151	KM32-16	151	N4006-0187-2.31	171	NBT30-MMC8C-105-AA	93
HSK63A-SM1000-5.00CP	184	KM1.1/4-5/16	151	KM32-17	151	N4006-0250-2.31	171	NBT30-MMC8C-65-AT	93
HSK63A-SM1250-3.00CP	184	KM1.1/4-5/8	151	KM32-18	151	N4006-0312-2.31	171	NBT30-SF0125-3.15	119
HSK63A-SM1250-5.00CP	184	KM1.1/4-6	151	KM32-19	151	N4006-0375-2.31	171	NBT30-SF0187-3.15	119
HSK63A-TB1.3/4-14.00	280	KM1.1/4-7/16	151	KM32-20	151	N4006-0437-2.31	171	NBT30-SF0250-3.15CP	119
HSK63A-TC0562-3.15	205	KM1.1/4-7/8	151	KM32-21	151	N4006-0500-2.31	171	NBT30-SF0375-3.15CP	119
HSK63A-TC0562-4.92(C)	205	KM1.1/4-8	151	KM32-22	151	N4006-0625-2.31	171	NBT30-SF0500-3.15CP	119
HSK63A-TC0875-4.72	205	KM1.1/4-9/16	151	KM32-23	151	N4006-0750-2.31	171	NBT30-SF0625-3.15CP	119
HSK63A-TC0875-6.38(C)	205	KM1.1/4-SET-08-MM	151	KM32-24	151	N4006-0875-2.94	171	NBT30-SF0750-3.15CP	119
HSK63A-TC1375-7.72	205	KM1.1/4-SET-11	151	KM32-25	151	N4006-1000-3.37	171	NBT30-SK10C-120	23
HSK63A-TC1375-9.41(C)	205	KM1-1/2	151	KM32-26	151	N4006-1250-3.69	171	NBT30-SK10C-120P	24
HSK63A-VC13-90-IDU	83	KM1-1/4	151	KM32-27	151	N4007-0016-1.77	62	NBT30-SK10C-45	23
HSK63F-C1.1/4-110G	147	KM1-1/8	151	KM32-28	151	N4007-0025-2.00	62	NBT30-SK10C-45P	24
HSK63F-C1-100G	147	KM1-10	151	KM32-29	151	N4008-0013	256	NBT30-SK10C-60	23
HSK63F-C3/4-95G	147	KM1-12	151	KM32-3	151	N5003-0002-1.34	195	NBT30-SK10C-60P	24
HSK63F-SK10C-105P	29	KM1-14	151	KM32-3/16	151	N5003-0003-1.30	195	NBT30-SK10C-75	23
HSK63F-SK16C-120P	29	KM1-16	151	KM32-3/4	151	N5003-0004-1.22	195	NBT30-SK10C-75P	24
HSK63F-VC13-120	83	KM1-18	151	KM32-3/8	151	N5003-0006-1.34	195	NBT30-SK10C-90	23
HSK63F-VC13-90	83	KM1-20	151	KM32-30	151	N5003-0033-1.34	195	NBT30-SK10C-90P	24
HSK63F-VC6-120	83	KM1-3/16	151	KM32-4	151	N5007-0016-2.00	62	NBT30-SK13C-120	23
HSK63F-VC6-65	83	KM1-3/4	151	KM32-5	151	N5007-0025-2.00	62	NBT30-SK13C-120P	24
HSK63F-VC6-90	83	KM1-3/8	151	KM32-5/16	151	N5008-0013	256	NBT30-SK13C-60	23
	27, 41, 75, 88, 94,	KM1-5/16	151	KM32-5/8	151	NB3001-0750-1.19CP	183	NBT30-SK13C-60P	24
	130, 155, 173, 188,	KM1-5/8	151	KM32-6	151	NB3001-1000-1.19CP	183	NBT30-SK13C-90	23
	193, 222, 256	KM1-6	151	KM32-7	151	NB3006-0125-2.36CP	167	NBT30-SK13C-90P	24
	27, 41, 75, 88, 94,	KM1-7/16	151	KM32-7/16	151	NB3006-0187-2.36CP	167	NBT30-SK16C-120	23
	130, 155, 173, 188,	KM1-7/8	151	KM32-7/8	151	NB3006-0250-2.36CP	167	NBT30-SK16C-120P	24
	193, 222, 256	KM1-8	151	KM32-8	151	NB3006-0312-2.36CP	167	NBT30-SK16C-60	23
		KM1-9/16	151	KM32-9	151	NB3006-0375-2.36CP	167	NBT30-SK16C-60P	24
K1.1/4-MMC8C-122	95	KM1-SET-08-MM	151	KM32-9/16	151	NB3006-0500-2.36CP	167	NBT30-SK16C-75	23
K1.1/4-MMC8C-160	95	KM1-SET-10	151	KM32-SET-09-MM	151	NB3006-0625-2.50CP	167	NBT30-SK16C-75P	24
K1.1/4-SK10-120	30	KM2-1	151	KM32-SET-11	151	NB3006-0750-3.00CP	167	NBT30-SK16C-90	23
K1.1/4-SK10-150	30	KM2-1.1/2	151	MPK4-1	96	NB3006-1000-3.54CP	167	NBT30-SK16C-90P	24
K1.1/4-SK10-210	30	KM2-1.1/4	151	MPK4-1.5	96	NB3007-0008-2.00M	58	NBT30-SK20-60	23
K1.1/4-SK16-120	30	KM2-1.3/4	151	MPK4-1/16	96	NB3007-0011-2.00	58	NBT30-SK20-60P	24
K1.1/4-SK16-150	30	KM2-1.7/8	151	MPK4-1/8	96	NB3007-0016-2.36G	58	NBT30-SK20C-75	23

## INDEX

Part Number	Page	Part Number	Page	Part Number	Page	Part Number	Page	Part Number	Page
NBT30-SK20C-75P	24	NBT40-SK16C-180	25	NC5001-0750-6.00CP	179	NCAT40-C3/4-85U-IDU	142	NCAT40-SK20C-120UP-IDU	17
NBT30-SK20C-90	23	NBT40-SK16C-200	25	NC5001-0750-8.00CP	179	NCAT40-C32-105U-IDU	142	NCAT40-SK20C-150U-IDU	16
NBT30-SK20C-90P	24	NBT40-SK16C-250	25	NC5001-1000-1.75CP	179	NCAT40-MMC12C-90U-AA-IDU	93	NCAT40-SK20C-150UP-IDU	17
NBT30-SK25-90	23	NBT40-SK16C-60	25	NC5001-1000-4.00CP	179	NCAT40-MMC4-90U-AA-IDU	93	NCAT40-SK20C-180U-IDU	16
NBT30-SK25-90P	24	NBT40-SK16C-60P	26	NC5001-1000-6.00CP	179	NCAT40-MMC8C-120U-AA-IDU	93	NCAT40-SK20C-65U-IDU	16
NBT30-SK6C-120	24	NBT40-SK16C-75	25	NC5001-1000-8.00CP	179	NCAT40-MMC8C-150U-AA-IDU	93	NCAT40-SK20C-65UP-IDU	17
NBT30-SK6C-120P	24	NBT40-SK16C-75P	26	NC5001-1250-1.75CP	179	NCAT40-MMC8C-90U-AA-IDU	93	NCAT40-SK20C-90U-IDU	16
NBT30-SK6C-60	23	NBT40-SK16C-90	25	NC5001-1250-6.00CP	179	NCAT40-SF0125-3.15	114	NCAT40-SK20C-90UP-IDU	17
NBT30-SK6C-60P	24	NBT40-SK16C-90P	26	NC5001-1250-8.00CP	179	NCAT40-SF0125-5.12	114	NCAT40-SK25C-120U-IDU	16
NBT30-SK6C-90	23	NBT40-SK25C-120	25	NC5001-1500-2.00CP	179	NCAT40-SF0125-6.30	116	NCAT40-SK25C-120UP-IDU	17
NBT30-SK6C-90P	24	NBT40-SK25C-120P	26	NC5001-1500-4.00CP	179	NCAT40-SF0187-3.15	114	NCAT40-SK25C-90U-IDU	16
NBT30-VC13-120	85	NBT40-SK25C-75	25	NC5001-1500-6.00CP	179	NCAT40-SF0187-5.12	114	NCAT40-SK25C-90UP-IDU	17
NBT30-VC13-60	85	NBT40-SK25C-75P	26	NC5001-1500-8.00CP	179	NCAT40-SF0187-6.30	116	NCAT40-SK6C-120U-IDU	16
NBT30-VC13-90	85	NBT40-SK25C-90	25	NC5001-2000-2.00CP	179	NCAT40-SF0250-3.15CP	115	NCAT40-SK6C-120UP-IDU	17
NBT30-VC6-45	85	NBT40-SK25C-90P	26	NC5001-22-60CP	180	NCAT40-SF0250-5.12CP	115	NCAT40-SK6C-150U-IDU	16
NBT30-VC6-60	85	NBT40-SK6C-120	25	NC5001-27-60CP	180	NCAT40-SF0250-6.30CP	116	NCAT40-SK6C-150UP-IDU	17
NBT30-VC6-90	85	NBT40-SK6C-120P	26	NC5001-32-60CP	180	NCAT40-SF0312-3.15CP	115	NCAT40-SK6C-90U-IDU	16
NBT40-C1.1/4-120G	146	NBT40-SK6C-150	25	NC5001-40-60CP	180	NCAT40-SF0312-5.12CP	115	NCAT40-SK6C-90UP-IDU	17
NBT40-C1.1/4-85	146	NBT40-SK6C-150P	26	NC5002-1000-6.17	253	NCAT40-SF0375-3.15CP	115	NCAT40-VC13-120U-IDU	84
NBT40-C1.1/4-85G	146	NBT40-SK6C-60	25	NC5006-0500-2.63CP	163	NCAT40-SF0375-5.12CP	115	NCAT40-VC13-60U-IDU	84
NBT40-C1-70	146	NBT40-SK6C-60P	26	NBT40-SK6C-60P	26	NCAT40-SF0375-6.30CP	116	NCAT40-VC13-90U-IDU	84
NBT40-C1-70G	146	NBT40-SK6C-90	25	NC5006-0625-3.00CP	163	NCAT40-SF0500-3.15CP	115	NCAT40-VC6-60U-IDU	84
NBT40-C1-90	146	NBT40-SK6C-90P	26	NC5006-0625-4.00CP	163	NCAT40-SF0500-5.12CP	115	NCAT40-VC6-90U-IDU	84
NBT40-C1-90G	146	NBT40-VC13-120	85	NC5006-0750-3.00CP	163	NCAT40-SF0500-6.30CP	116	NCAT50-C1.1/4-105UG-IDU	143
NBT40-C3/4-105G	146	NBT40-VC13-150	85	NC5006-0750-4.00CP	163	NCAT40-SF0625-3.15CP	115	NCAT50-C1.1/4-105U-IDU	142
NBT40-C3/4-70	146	NBT40-VC13-60	85	NC5006-0750-6.00CP	163	NCAT40-SF0625-5.12CP	115	NCAT50-C1.1/4-135UG-IDU	143
NBT40-C3/4-70G	146	NBT40-VC13-90	85	NC5006-1000-4.00CP	163	NCAT40-SF0625-6.30CP	116	NCAT50-C1.1/4-135U-IDU	142
NBT40-MMC12C-90-AA	93	NBT40-VC6-120	85	NC5006-1000-6.00CP	163	NCAT40-SF0750-3.15CP	115	NCAT50-C1.1/4-165U-IDU	142
NBT40-MMC8C-120-AA	93	NBT40-VC6-150	85	NC5006-1250-4.00CP	163	NCAT40-SF0750-5.12CP	115	NCAT50-C1.1/4-90UG-IDU	143
NBT40-MMC8C-90-AA	93	NBT40-VC6-60	85	NC5006-1250-6.00CP	163	NCAT40-SF0750-6.30CP	116	NCAT50-C1.1/4-90U-IDU	142
NBT40-SF0125-3.54	120	NBT40-VC6-90	85	NC5006-1500-4.50CP	163	NCAT40-SF1000-3.94CP	115	NCAT50-C1-105UG-IDU	143
NBT40-SF0125-6.30	121	NC4001-0500-1.75CP	179	NC5006-2000-5.37CP	163	NCAT40-SF1000-5.12CP	115	NCAT50-C1-105U-IDU	142
NBT40-SF0187-3.54	120	NC4001-0750-1.75CP	179	NC5007-0016-4.12G	57	NCAT40-SF1000-6.30CP	116	NCAT50-C1-135UG-IDU	143
NBT40-SF0250-3.54CP	120	NC4001-0750-4.00CP	179	NC5007-0016-6.00G	57	NCAT40-SF10-130CP	115	NCAT50-C1-135U-IDU	142
NBT40-SF0250-6.30CP	121	NC4001-1000-1.75CP	179	NC5007-0016-8.00G	57	NCAT40-SF10-80CP	115	NCAT50-C2-125U-IDU	142
NBT40-SF0375-3.54CP	120	NC4001-1000-4.00CP	179	NC5007-0020-12.00G	57	NCAT40-SF12-80CP	115	NCAT50-C3/4-105UG-IDU	143
NBT40-SF0375-6.30CP	121	NC4001-1250-2.00CP	179	NC5007-0020-4.00G	57	NCAT40-SF14-80CP	115	NCAT50-C3/4-105U-IDU	142
NBT40-SF0500-3.54CP	120	NC4001-1250-4.00CP	179	NC5007-0020-6.00G	57	NCAT40-SF16-80CP	115	NCAT50-C3/4-135UG-IDU	143
NBT40-SF0500-5.12CP	120	NC4001-1500-2.00CP	179	NC5007-0020-8.00G	57	NCAT40-SF6-130CP	115	NCAT50-C3/4-135U-IDU	142
NBT40-SF0500-6.30CP	121	NC4002-1000-6.17	253	NC5007-0025-4.00G	57	NCAT40-SF6-80CP	115	NCAT50-C3/4-165U-IDU	142
NBT40-SF0625-3.54CP	120	NC4002-1250-6.29	253	NC5007-0025-8.00G	57	NCAT40-SF8-80CP	115	NCAT50-SF0125-3.15	117
NBT40-SF0625-6.30CP	121	NC4006-0500-2.50CP	163	NC5007-0032-12.00G	57	NCAT40-SK10C-120U-IDU	16	NCAT50-SF0125-6.30	118
NBT40-SF0750-3.54CP	120	NC4006-0500-4.00CP	163	NC5007-0032-4.00G	57	NCAT40-SK10C-120UP-IDU	17	NCAT50-SF0187-3.15	117
NBT40-SF0750-5.12CP	120	NC4006-0625-3.00CP	163	NC5007-0032-6.00G	57	NCAT40-SK10C-150U-IDU	16	NCAT50-SF0250-3.15CP	117
NBT40-SF0750-6.30CP	121	NC4006-0750-3.00CP	163	NC5007-0032-8.00G	57	NCAT40-SK10C-150UP-IDU	17	NCAT50-SF0250-5.12CP	117
NBT40-SF1000-3.54CP	120	NC4006-0750-4.00CP	163	NC5007-0040-12.00G	57	NCAT40-SK10C-180U-IDU	16	NCAT50-SF0250-6.30CP	118
NBT40-SF1000-6.30CP	121	NC4006-1000-2.00	163	NC5007-0040-4.00G	57	NCAT40-SK10C-180UP-IDU	17	NCAT50-SF0312-3.15CP	117
NBT40-SK10C-120	25	NC4006-1000-4.00CP	163	NC5007-0040-6.00G	57	NCAT40-SK10C-90U-IDU	16	NCAT50-SF0312-5.12CP	117
NBT40-SK10C-120P	26	NC4006-1250-4.00CP	163	NC5007-0040-8.00G	57	NCAT40-SK10C-90UP-IDU	17	NCAT50-SF0375-3.15CP	117
NBT40-SK10C-150	25	NC4006-1500-4.50CP	163	NC5008-0013	255	NCAT40-SK13C-120U-IDU	16	NCAT50-SF0375-5.12CP	117
NBT40-SK10C-150P	26	NC4007-0016-3.50G	56	NC50F1-2000-4.00CP	180	NCAT40-SK13C-120UP-IDU	17	NCAT50-SF0375-6.30CP	118
NBT40-SK10C-180	25	NC4007-0016-6.00G	56	NC50F1-2500-2.95CP	180	NCAT40-SK13C-150U-IDU	16	NCAT50-SF0437-3.15CP	117
NBT40-SK10C-200	25	NC4007-0016-9.00G	56	NCAT40-C1.1/4SL-105UG-IDU	143	NCAT40-SK13C-150UP-IDU	17	NCAT50-SF0500-3.15CP	117
NBT40-SK10C-250	25	NC4007-0020-2.50G	56	NCAT40-C1.1/4SL-105U-IDU	142	NCAT40-SK13C-180U-IDU	16	NCAT50-SF0500-5.12CP	117
NBT40-SK10C-60	25	NC4007-0020-4.00G	56	NCAT40-C1.1/4SL-120U-IDU	142	NCAT40-SK13C-90U-IDU	16	NCAT50-SF0500-6.30CP	118
NBT40-SK10C-60P	26	NC4007-0020-6.00G	56	NCAT40-C1.1/4SL-85UG-IDU	143	NCAT40-SK13C-90UP-IDU	17	NCAT50-SF0625-3.15CP	117
NBT40-SK10C-75	25	NC4007-0020-9.00G	56	NCAT40-C1-105UG-IDU	143	NCAT40-SK16C-120U-IDU	16	NCAT50-SF0625-5.12CP	117
NBT40-SK10C-75P	26	NC4007-0025-2.50G	56	NCAT40-C1-105U-IDU	142	NCAT40-SK16C-120UP-IDU	17	NCAT50-SF0625-6.30CP	118
NBT40-SK10C-90	25	NC4007-0025-4.00G	56	NCAT40-C1-85UG-IDU	143	NCAT40-SK16C-150U-IDU	16	NCAT50-SF0750-3.15CP	117
NBT40-SK10C-90P	26	NC4007-0025-6.00G	56	NCAT40-C1-85U-IDU	142	NCAT40-SK16C-150UP-IDU	17	NCAT50-SF0750-5.12CP	117
NBT40-SK13C-60	25	NC4007-0032-3.13G	56	NCAT40-C3/4-105UG-IDU	143	NCAT40-SK16C-180U-IDU	16	NCAT50-SF0750-6.30CP	118
NBT40-SK13C-75	25	NC4007-0032-5.00G	56	NCAT40-C3/4-105U-IDU	142	NCAT40-SK16C-180UP-IDU	17	NCAT50-SF1000-3.94CP	117
NBT40-SK13C-75P	26	NC4007-0032-9.00G	56	NCAT40-C3/4-120UG-IDU	143	NCAT40-SK16C-60U-IDU	16	NCAT50-SF1000-5.12CP	117
NBT40-SK16C-120	25	NC4007-0040-3.13G	56	NCAT40-C3/4-120U-IDU	142	NCAT40-SK16C-90U-IDU	16	NCAT50-SF1000-6.30CP	118
NBT40-SK16C-120P	26	NC4008-0013	255	NCAT40-C3/4-70UG-IDU	143	NCAT40-SK16C-90UP-IDU	17	NCAT50-SF10-80CP	117
NBT40-SK16C-150	25	NC5001-0750-1.75CP	179	NCAT40-C3/4-70U-IDU	142	NCAT40-SK20-50U-IDU	16	NCAT50-SF1250-3.94CP	117
NBT40-SK16C-150P	26	NC5001-0750-4.00CP	179	NCAT40-C3/4-85UG-IDU	143	NCAT40-SK20C-120U-IDU	16	NCAT50-SF1250-5.12CP	117

## INDEX

Part Number	Page	Part Number	Page	Part Number	Page	Part Number	Page	Part Number	Page
NCAT50-SF1250-6.30CP	118	NK1-6	152	NMTB50-C3/4-65	149	NTPT05-008(S)	212	S1/4-28x1/4	173
NCAT50-SF14-80CP	117	NK1-7/16	152	NMTB50-NPU13-86	192	NTPT10-016	212	S1005-0562-4.17	209
NCAT50-SF6-80CP	117	NK1-7/8	152	NPU13-SPAN	193	NTPT10-016(S)	212	S1005-0875-5.61	209
NCAT50-SF8-80CP	117	NK1-8	152	NPU8-SPAN	193	NTPT10-024	212	S1006-0375-6.00	172
NCAT50-SK10C-105U-IDU	18	NK2-1	152	NT05-006	210	NTPT10-024(S)	212	S1006-0500-6.00	172
NCAT50-SK10C-105UP-IDU	19	NK2-1-1/2	152	NT05-006(S)	211	NTPT10-032	212	S1-14x7/8	173
NCAT50-SK10C-165U-IDU	18	NK2-1-1/4	152	NT05-008	210	NTPT10-032(S)	212	S1205-0875-5.61	209
NCAT50-SK10C-165UP-IDU	19	NK3/4-1/2	152	NT05-008(S)	211	NTPT15-032	212	S1507-1000-9.00	232
NCAT50-SK10C-195U-IDU	18	NK3/4-1/4	152	NT05-010	210	NTPT15-032(S)	212	S25-SK10-250	30
NCAT50-SK10C-195UP-IDU	19	NK3/4-1/8	152	NT05-010(S)	211	NTPT15-048	212	S25-SK10-300	30
NCAT50-SK16C-225U-IDU	18	NK3/4-1/8	152	NT05-012	210	NTPT15-048(S)	212	S3/4-16X11/16	173
NCAT50-SK16C-105U-IDU	18	NK3/4-12	152	NT05-012(S)	211	NTPT15-064	212	S3/8-24X5/16	173
NCAT50-SK16C-105UP-IDU	19	NK3/4-14	152	NT05-016	210	NTPT15-064(S)	212	S32-SK16-250	30
NCAT50-SK16C-165U-IDU	18	NK3/4-16	152	NT05-016(S)	211	NUT-ER32I	74	S32-SK16-300	30
NCAT50-SK16C-165UP-IDU	19	NK3/4-3/16	152	NT05-020	210	PF-2	276	S5/16-24X1/4	173
NCAT50-SK16C-195U-IDU	18	NK3/4-3/8	152	NT05-020(S)	211	PF-STYLUS-2	276	S5/8-18X1/2	173
NCAT50-SK25C-105U-IDU	18	NK3/4-5/16	152	NT05-024	210	PMK12-10	96	S6-32X1/4	173
NCAT50-SK25C-105UP-IDU	19	NK3/4-5/8	152	NT05-024(S)	211	PMK12-12	96	S7/16-20X3/8	173
NCAT50-SK25C-165U-IDU	18	NK3/4-6	152	NT05-028	210	PMK12-4	96	S7506-0125-6.00	172
NCAT50-SK25C-165UP-IDU	19	NK3/4-7	152	NT05-028(S)	211	PMK12-6	96	S7506-0187-6.00	172
NCAT50-SK25C-195U-IDU	18	NK3/4-7/16	152	NT05-032	210	PMK4-1	96	S7506-0250-6.00	172
NCAT50-SK6C-105U-IDU	18	NK3/4-8	152	NT05-032(S)	211	PMK4-1.2	96	S7506-0312-6.00	172
NCAT50-SK6C-165U-IDU	18	NK3/4-9/16	152	NT05-036	210	PMK4-1.4	96	S8-32X1/4	173
NCAT50-VC13-105U-IDU	84	NK32-1	152	NT05-036(S)	211	PMK4-1.6	96	S9/16-18X1/2	173
NCAT50-VC13-135U-IDU	84	NK32-1/2	152	NT05-040	210	PMK4-1.8	96	SC1630C	282
NCAT50-VC13-165U-IDU	84	NK32-1/4	152	NT10-020	210	PMK4-2	96	SC1645C	282
NCAT50-VC6-135U-IDU	84	NK32-10	152	NT10-020(S)	211	PMK4-2.2	96	SC1660D	282
NCAT50-VC6-165U-IDU	84	NK32-11	152	NT10-024	210	PMK4-2.4	96	SCM1045C	284
NCL-BT30	274	NK32-11/16	152	NT10-024(S)	211	PMK4-2.6	96	SCM1045CL	284
NCL-BT40	274	NK32-12	152	NT10-028	210	PMK4-2.8	96	SE1-10.0X8.0	213, 214
NCL-BT50	274	NK32-13	152	NT10-028(S)	211	PMK4-3	96	SE1-10.5X8.0	215
NCL-ICAT40	274	NK32-13/16	152	NT10-032	210	PMK4-3.2	96	SE1-11.0X9.0	214
NCL-ICAT50	274	NK32-14	152	NT10-032(S)	211	PMK8-2.4	96	SE1-11.2X9.0	213
NK1.1/4-1/2	152	NK32-15	152	NT10-036	210	PMK8-2.6	96	SE1-2.24X1.8	213
NK1.1/4-1/4	152	NK32-15/16	152	NT10-036(S)	211	PMK8-3.175	96	SE1-2.50X2.0	213
NK1.1/4-10	152	NK32-16	152	NT10-040	210	PMK8-3.2	96	SE1-2.5X2.1	214
NK1.1/4-12	152	NK32-17	152	NT10-040(S)	211	PMK8-3.6	96	SE1-2.80X2.24	213
NK1.1/4-14	152	NK32-18	152	NT10-044	210	PMK8-4	96	SE1-2.8X2.1	214
NK1.1/4-15/16	152	NK32-19	152	NT10-044(S)	211	PMK8-4.6	96	SE1-3.0X2.5	215
NK1.1/4-16	152	NK32-20	152	NT10-048	210	PMK8-5	96	SE1-3.15X2.50	213
NK1.1/4-20	152	NK32-21	152	NT10-048(S)	211	PMK8-5.6	96	SE1-3.55X2.80	213
NK1.1/4-25	152	NK32-22	152	NT10-052	210	PMK8-6	96	SE1-3.5X2.7	214
NK1.1/4-3/16	152	NK32-23	152	NT10-052(S)	211	PMK8-6.4	96	SE1-4.0X3.0	214
NK1.1/4-3/4	152	NK32-24	152	NT10-056	210	PMK8-6.6	96	SE1-4.0X3.15	213
NK1.1/4-3/8	152	NK32-25	152	NT10-056(S)	211	PMK8-7	96	SE1-4.0X3.2	215
NK1.1/4-5/16	152	NK32-26	152	NT10-SET-10	210	PMK8-7.6	96	SE1-4.5X3.4	214
NK1.1/4-5/8	152	NK32-3	152	NT15-052	210	PMK8-7.8	96	SE1-4.5X3.55	213
NK1.1/4-6	152	NK32-3/16	152	NT15-052(S)	211	PMK8-8	96	SE1-5.0X4.0	213, 215
NK1.1/4-7/16	152	NK32-3/4	152	NT15-056	210	PS-130E	270	SE1-5.5X4.5	215
NK1.1/4-7/8	152	NK32-3/8	152	NT15-056(S)	211	PS-132	270	SE1-5.6X4.5	213
NK1.1/4-8	152	NK32-4	152	NT15-060	210	PS-16	270	SE1-6.0X4.5	215
NK1.1/4-9	152	NK32-5	152	NT15-060(S)	211	PS-17	270	SE1-6.0X4.9	214
NK1.1/4-9/16	152	NK32-5/16	152	NT15-064	210	PS-805	270	SE1-6.2X5.0	215
NK1-1/2	152	NK32-5/8	152	NT15-064(S)	211	PS-874-EU	269	SE1-6.3X5.0	213
NK1-1/4	152	NK32-6	152	NT15-072	210	PS-B61-EU	269	SE1-7.0X5.5	214, 215
NK1-1/8	152	NK32-7	152	NT15-072(S)	211	PS-B64-1-EU	269	SE1-7.1X5.6	213
NK1-10	152	NK32-7/16	152	NT15-080	210	PS-037-16	269	SE1-8.0X6.0	215
NK1-12	152	NK32-7/8	152	NT15-080(S)	211	R8007-0016-1.00S	62	SE1-8.0X6.2	214
NK1-14	152	NK32-8	152	NT15-088	210	R8007-0020-2.00S	62	SE1-8.0X6.3	213
NK1-16	152	NK32-9	152	NT15-088(S)	211	R8007-0025-2.50S	62	SE1-8.5X6.5	215
NK1-18	152	NK32-9/16	152	NT15-SET-07	210	RACK-180DA/SK16/ER25	35, 74	SE1-9.0X7.0	214
NK1-20	152	NMTB40-C1.1/4-105	149	NTP05-SET-12	212	RACK-5C/100TG/SK25	37, 236, 261	SE1-9.0X7.1	213
NK1-3/16	152	NMTB40-C3/4-70	149	NTP10-SET-13	212	RACK-ER11/SK6	32, 74	SE1-9.5X7.0	215
NK1-3/4	152	NMTB40-NPU13-86	192	NTP15-SET-10	212	RACK-ER16/SK10	33, 74	SE2-10.0X8.0	213, 214
NK1-3/8	152	NMTB40-NPU8-76	192	NTPT05-008L	212	RACK-ER20/1TAP	74, 222	SE2-10.5X8.0	215
NK1-5/16	152	NMTB50-C1.1/4-90	149	NTPT05-008L(S)	212	RACK-ER32/2TAP	74, 222	SE2-11.0X9.0	214
NK1-5/8	152	NMTB50-C2-105	149	NTPT05-008S	212	RACK-R8/SK20	258	SE2-11.2X9.0	213

## INDEX

Part Number	Page	Part Number	Page	Part Number	Page	Part Number	Page	Part Number	Page
SE2-12.0X9.0	214	SES1-2.5X2.1	220	SES3-12.0X9.0	220	SK10-7AC	33	SK16-10A	35
SE2-12.5X10.0	213, 215	SES1-2.80X2.24	219	SES3-12.5X10.0	219, 221	SK10-8	33	SK16-10AC	35
SE2-13.0X10.0	215	SES1-2.8X2.1	220	SES3-13.0X10.0	221	SK10-8.5	33	SK16-11	35
SE2-14.0X11.0	214, 215	SES1-3.0X2.5	221	SES3-14.0X11.0	220, 221	SK10-8A	33	SK16-11.5	35
SE2-14.0X11.2	213	SES1-3.15X2.50	219	SES3-14.0X11.2	219	SK10-8AC	33	SK16-11AC	35
SE2-15.0X12.0	215	SES1-3.55X2.80	219	SES3-15.0X12.0	221	SK10-9	33	SK16-12	35
SE2-16.0X12.0	214	SES1-3.5X2.7	220	SES3-16.0X12.0	220	SK10-9.5	33	SK16-12.5	35
SE2-16.0X12.5	213	SES1-4.0X3.0	220	SES3-17.0X13.0	221	SK10-9AC	33	SK16-12A	35
SE2-17.0X13.0	215	SES1-4.0X3.15	219	SES3-18.0X14.0	219	SK10-SET-05-A	33	SK16-12AC	35
SE2-18.0X14.0	213	SES1-4.0X3.2	221	SES3-18.0X14.5	220	SK10-SET-05-AC	33	SK16-13	35
SE2-18.0X14.5	214	SES1-4.5X3.4	220	SES3-19.0X15.0	221	SK10-SET-08-AC-MM	33	SK16-13.5	35
SE2-2.8X2.1	214	SES1-4.5X3.55	219	SES3-20.0X15.0	221	SK10-SET-19-MM	33	SK16-13AC	35
SE2-3.5X2.7	214	SES1-5.0X4.0	219, 221	SES3-20.0X16.0	219, 220	SK13-1/2A	34	SK16-14	35
SE2-4.0X3.0	214	SES1-5.5X4.5	221	SES3-21.0X17.0	221	SK13-1/4A	34	SK16-14.5	35
SE2-4.0X3.15	213	SES1-5.6X4.5	219	SES3-22.0X18.0	220	SK13-1/4AC	34	SK16-14A	35
SE2-4.5X3.55	213	SES1-6.0X4.5	221	SES3-22.4X18.0	219	SK13-1/8A	34	SK16-14AC	35
SE2-5.0X4.0	213	SES1-6.0X4.9	220	SES3-23.0X17.0	221	SK13-10	34	SK16-15	35
SE2-5.6X4.5	213	SES1-6.2X5.0	221	SES3-24.0X19.0	221	SK13-10.5	34	SK16-15.5	35
SE2-6.0X4.5	215	SES1-6.3X5.0	219	SES3-25.0X19.0	221	SK13-10A	34	SK16-15AC	35
SE2-6.0X4.9	214	SES1-7.0X5.5	220, 221	SES3-25.0X20.0	219, 220	SK13-10AC	34	SK16-16	35
SE2-6.2X5.0	215	SES1-7.1X5.6	219	SES3-26.0X21.0	221	SK13-11	34	SK16-16A	35
SE2-6.3X5.0	213	SES1-8.0X6.0	221	SES3-28.0X21.0	221	SK13-11.5	34	SK16-16AC	35
SE2-7.0X5.5	214, 215	SES1-8.0X6.2	220	SES3-28.0X22.0	220	SK13-11AC	34	SK16-3	35
SE2-7.1X5.6	213	SES1-8.0X6.3	219	SES3-28.0X22.4	219	SK13-12	34	SK16-3.5	35
SE2-8.0X6.0	215	SES1-8.5X6.5	221	SES3-8.0X6.2	220	SK13-12.5	34	SK16-3/16A	35
SE2-8.0X6.2	214	SES1-9.0X7.0	220	SES3-9.0X7.0	220	SK13-12A	34	SK16-3/8A	35
SE2-8.0X6.3	213	SES1-9.0X7.1	219	SES3-9.0X7.1	219	SK13-12AC	34	SK16-3/8AC	35
SE2-8.5X6.5	215	SES2-10.0X8.0	219, 220	SK10-1	33	SK13-13	34	SK16-3A	35
SE2-9.0X7.0	214	SES2-10.5X8.0	221	SK10-1.25	33	SK13-13AC	34	SK16-4	35
SE2-9.0X7.1	213	SES2-11.0X9.0	220	SK10-1.5	33	SK13-3	34	SK16-4.5	35
SE2-9.5X7.0	215	SES2-11.2X9.0	219	SK10-1.75	33	SK13-3.5	34	SK16-4A	35
SE3-10.0X8.0	213, 214	SES2-12.0X9.0	220	SK10-1/4A	33	SK13-3/16A	34	SK16-5	35
SE3-10.5X8.0	215	SES2-12.5X10.0	219, 221	SK10-1/4AC	33	SK13-3/8A	34	SK16-5.5	35
SE3-11.0X9.0	214	SES2-13.0X10.0	219	SK10-1/8A	33	SK13-3/8AC	34	SK16-5/16A	35
SE3-11.2X9.0	213	SES2-14.0X11.0	220, 221	SK10-1/8AC	33	SK13-4	34	SK16-5/16AC	35
SE3-12.0X9.0	214	SES2-14.0X11.2	219	SK10-10	33	SK13-4.5	34	SK16-5/8A	35
SE3-12.5X10.0	213, 215	SES2-15.0X12.0	221	SK10-10A	33	SK13-4AC	34	SK16-5/8AC	35
SE3-13.0X10.0	215	SES2-16.0X12.0	220	SK10-10AC	33	SK13-5	34	SK16-5A	35
SE3-14.0X11.0	214, 215	SES2-16.0X12.5	219	SK10-2	33	SK13-5.5	34	SK16-6	35
SE3-14.0X11.2	213	SES2-17.0X13.0	221	SK10-2.25	33	SK13-5/16A	34	SK16-6.5	35
SE3-15.0X12.0	215	SES2-18.0X14.0	219	SK10-2.5	33	SK13-5/16AC	34	SK16-6A	35
SE3-16.0X12.0	214	SES2-18.0X14.5	220	SK10-2.75	33	SK13-5AC	34	SK16-6AC	35
SE3-16.0X12.5	213	SES2-19.0X15.0	219	SK10-3	33	SK13-6	34	SK16-7	35
SE3-17.0X13.0	215	SES2-3.5X2.7	220	SK10-3.5	33	SK13-6.5	34	SK16-7.5	35
SE3-18.0X14.0	213	SES2-4.0X3.0	220	SK10-3/16A	33	SK13-6AC	34	SK16-7/16A	35
SE3-18.0X14.5	214	SES2-4.0X3.15	219	SK10-3/16AC	33	SK13-7	34	SK16-7/16AC	35
SE3-19.0X15.0	215	SES2-4.5X3.4	220	SK10-3/8A	33	SK13-7.5	34	SK16-7AC	35
SE3-20.0X15.0	215	SES2-4.5X3.55	219	SK10-3/8AC	33	SK13-7/16A	34	SK16-8	35
SE3-20.0X16.0	213, 214	SES2-5.0X4.0	219	SK10-3A	33	SK13-7/16AC	34	SK16-8.5	35
SE3-21.0X17.0	215	SES2-5.6X4.5	219	SK10-3AC	33	SK13-7AC	34	SK16-8A	35
SE3-22.0X18.0	214	SES2-6.0X4.5	221	SK10-4	33	SK13-8	34	SK16-8AC	35
SE3-22.4X18.0	213	SES2-6.0X4.9	220	SK10-4.5	33	SK13-8.5	34	SK16-9	35
SE3-23.0X17.0	215	SES2-6.2X5.0	221	SK10-4A	33	SK13-8A	34	SK16-9.5	35
SE3-24.0X19.0	215	SES2-6.3X5.0	219	SK10-4AC	33	SK13-8AC	34	SK16-9/16A	35
SE3-25.0X19.0	215	SES2-7.0X5.5	220, 221	SK10-5	33	SK13-9	34	SK16-9/16AC	35
SE3-25.0X20.0	213, 214	SES2-7.1X5.6	219	SK10-5.5	33	SK13-9.5	34	SK16-9AC	35
SE3-26.0X21.0	215	SES2-8.0X6.0	221	SK10-5/16A	33	SK13-9AC	34	SK16-SET-09-A	35
SE3-28.0X21.0	215	SES2-8.0X6.2	220	SK10-5/16AC	33	SK13-SET-07-A	34	SK16-SET-11-AC-MM	35
SE3-28.0X22.0	214	SES2-8.0X6.3	219	SK10-5A	33	SK13-SET-09-AC-MM	34	SK16-SET-27-MM	35
SE3-28.0X22.4	213	SES2-8.5X6.5	221	SK10-5AC	33	SK13-SET-21-MM	34	SK20-1/2A	36
SE3-9.0X7.0	214	SES2-9.0X7.0	220	SK10-6	33	SK16-1/2A	35	SK20-1/2AC	36
SE3-9.0X7.1	213	SES2-9.0X7.1	219	SK10-6.2	33	SK16-1/2AC	35	SK20-1/4A	36
SES1-10.0X8.0	219, 220	SES2-9.5X7.0	221	SK10-6.5	33	SK16-1/4A	35	SK20-1/4A	36
SES1-10.5X8.0	221	SES3-10.0X8.0	219, 220	SK10-6A	33	SK16-1/4AC	35	SK20-1/8A	36
SES1-11.0X9.0	220	SES3-10.5X8.0	221	SK10-6AC	33	SK16-1/8A	35	SK20-10	36
SES1-11.2X9.0	219	SES3-11.0X9.0	220	SK10-7	33	SK16-10	35	SK20-10.5	36
SES1-2.50X2.0	219	SES3-11.2X9.0	219	SK10-7.5	33	SK16-10.5	35	SK20-10A	36
								SK20-11	36

## INDEX

Part Number	Page	Part Number	Page	Part Number	Page	Part Number	Page	Part Number	Page
SK20-11.5	36	SK25-18.5	37	SKG10-10HGA	43	SKJ10-6.2	38	SKJ16-5/16C	87
SK20-12	36	SK25-19	37	SKG-12	42	SKJ10-6.5	38	SKJ16-5/8	39
SK20-12.5	36	SK25-19.5	37	SKG-12H	42	SKJ10-6C	87	SKJ16-5/8C	39
SK20-12A	36	SK25-20	37	SKG-12HA	42	SKJ10-7	38	SKJ16-5C	39, 87
SK20-12AC	36	SK25-20.5	37	SKG-12L	42	SKJ10-7.5	38	SKJ16-6	39
SK20-13	36	SK25-20A	37	SKG-12MF	42	SKJ10-8	38	SKJ16-6	87
SK20-13.5	36	SK25-20AC	37	SKG-12S	42	SKJ10-8.5	38	SKJ16-6.5	39
SK20-14	36	SK25-21	37	SKG13-10HG	43	SKJ10-9	38	SKJ16-6C	39
SK20-14.5	36	SK25-21.5	37	SKG13-10HGA	43	SKJ10-9.5	38	SKJ16-6C	87
SK20-15	36	SK25-22	37	SKG-15	42	SKJ10-BLANK	39, 87	SKJ16-7	39, 87
SK20-15.5	36	SK25-22.5	37	SKG-15H	42	SKJ16-1/2	39	SKJ16-7/16	39
SK20-16	36	SK25-23	37	SKG-15HA	42	SKJ16-1/2	87	SKJ16-7/16	87
SK20-16.5	36	SK25-23.5	37	SKG16-10HG	43	SKJ16-1/2C	39	SKJ16-7/16C	39
SK20-16A	36	SK25-24	37	SKG16-10HGA	43	SKJ16-1/2C	87	SKJ16-7/16C	87
SK20-16AC	36	SK25-24.5	37	SKG16-12HG	43	SKJ16-1/4	39	SKJ16-7C	39, 87
SK20-17	36	SK25-25	37	SKG16-12HGA	43	SKJ16-1/4	87	SKJ16-8	39
SK20-17.5	36	SK25-25.4	37	SKG16-12HGB	43	SKJ16-1/4C	39	SKJ16-8	87
SK20-18	36	SK25-25.4AC	37	SKG16-12HGBA	43	SKJ16-1/4C	87	SKJ16-8.5	39
SK20-18.5	36	SK25-25A	37	SKG16-12HGE	43	SKJ16-1/8	39, 87	SKJ16-8.5C	39
SK20-18AC	36	SK25-25AC	37	SKG-18H	42	SKJ16-1/8C	39, 87	SKJ16-8C	39
SK20-19	36	SK25-3/16A	37	SKG-18HA	42	SKJ16-10	39	SKJ16-8C	87
SK20-19.5	36	SK25-3/4A	37	SKG-18L	42	SKJ16-10	87	SKJ16-9	39
SK20-20	36	SK25-3/4AC	37	SKG-18S	42	SKJ16-10.3	39	SKJ16-9.5	39
SK20-20A	36	SK25-3/8A	37	SKG20-12HG	43	SKJ16-10.5	39	SKJ16-9.5C	39
SK20-20AC	36	SK25-5/16A	37	SKG20-12HGE	43	SKJ16-10.5C	39	SKJ16-9/16	39
SK20-3/16A	36	SK25-5/8A	37	SKG20-12MFHG	43	SKJ16-10C	39	SKJ16-9/16C	39
SK20-3/4A	36	SK25-7/16A	37	SKG20-16HG	43	SKJ16-10C	87	SKJ16-9C	39
SK20-3/4AC	36	SK25-7/8A	37	SKG20-18HG	43	SKJ16-11	39	SKJ16-BLANK	39, 87
SK20-3/8A	36	SK25-7/8AC	37	SKG20-18HGB	43	SKJ16-11.5	39	SKJ25-1	40
SK20-4	36	SK25-8	37	SKG-22	42	SKJ16-11.5C	39	SKJ25-1/2	40
SK20-4.5	36	SK25-8A	37	SKG-22H	42	SKJ16-11C	39	SKJ25-1/2C	40
SK20-4A	36	SK25-9/16A	37	SKG25-18HGC	43	SKJ16-12	39	SKJ25-1/4	40
SK20-5	36	SK25-SET-08-A	37	SKG25-18HGD	43	SKJ16-12	87	SKJ25-1/4C	40
SK20-5.5	36	SK25-SET-19-MM	37	SKG25-18HGE	43	SKJ16-12.5	39	SKJ25-10	40
SK20-5/16A	36	SK6-0.8	32	SKG25-24HG	43	SKJ16-12.5C	39	SKJ25-10C	40
SK20-5/8A	36	SK6-1	32	SKG25-24HGA	43	SKJ16-12C	39	SKJ25-11/16	40
SK20-5/8AC	36	SK6-1.25	32	SKG-28	42	SKJ16-12C	87	SKJ25-11/16C	40
SK20-6	36	SK6-1.5	32	SKG-28H	42	SKJ16-13	39	SKJ25-11C	40
SK20-6.5	36	SK6-1.75	32	SKG6-6HG	43	SKJ16-13.5C	39	SKJ25-12	40
SK20-6A	36	SK6-1/4A	32	SKJ10-1/4	38	SKJ16-13C	39	SKJ25-12.5	40
SK20-7	36	SK6-1/8A	32	SKJ10-1/4	87	SKJ16-14	39	SKJ25-12C	40
SK20-7.5	36	SK6-1/8AC	32	SKJ10-1/4C	87	SKJ16-14.5	39	SKJ25-13/16	40
SK20-7/16A	36	SK6-2	32	SKJ10-1/8	38	SKJ16-14.5C	39	SKJ25-13/16C	40
SK20-7/16AC	36	SK6-2.25	32	SKJ10-1/8	87	SKJ16-14C	39	SKJ25-14	40
SK20-8	36	SK6-2.5	32	SKJ10-1/8C	87	SKJ16-15	39	SKJ25-14C	40
SK20-8.5	36	SK6-2.75	32	SKJ10-10	38	SKJ16-15.5	39	SKJ25-15/16	40
SK20-8A	36	SK6-2A	32	SKJ10-2	87	SKJ16-15C	39	SKJ25-15/16C	40
SK20-9	36	SK6-3	32	SKJ10-2C	87	SKJ16-16	39	SKJ25-16	40
SK20-9.5	36	SK6-3.5	32	SKJ10-3	38	SKJ16-16C	39	SKJ25-16.5	40
SK20-9/16A	36	SK6-3/16A	32	SKJ10-3	87	SKJ16-3	39, 87	SKJ25-16C	40
SK20-9/16AC	36	SK6-3/16AC	32	SKJ10-3.5	38	SKJ16-3.5	39	SKJ25-17	40
SK20-SET-10-A	36	SK6-3A	32	SKJ10-3/16	38	SKJ16-3.5C	39	SKJ25-17.5	40
SK20-SET-21-MM	36	SK6-3AC	32	SKJ10-3/16	87	SKJ16-3/16	39, 87	SKJ25-17.5C	40
SK20-SET-33-MM	36	SK6-4	32	SKJ10-3/16C	87	SKJ16-3/16C	39, 87	SKJ25-17C	40
SK25-1/2A	37	SK6-4.5	32	SKJ10-3/8	38	SKJ16-3/8	39	SKJ25-18	40
SK25-1/4A	37	SK6-4A	32	SKJ10-3C	87	SKJ16-3/8	87	SKJ25-18C	40
SK25-10	37	SK6-4AC	32	SKJ10-4	38	SKJ16-3/8C	39	SKJ25-1C	40
SK25-10A	37	SK6-5	32	SKJ10-4	87	SKJ16-3/8C	87	SKJ25-20	40
SK25-12	37	SK6-5.5	32	SKJ10-4.5	38	SKJ16-3C	39, 87	SKJ25-20C	40
SK25-12A	37	SK6-5A	32	SKJ10-4C	87	SKJ16-4	39, 87	SKJ25-22	40
SK25-16	37	SK6-5AC	32	SKJ10-5	38	SKJ16-4.5	39	SKJ25-23	40
SK25-16.5	37	SK6-6	32	SKJ10-5	87	SKJ16-4C	39, 87	SKJ25-24	40
SK25-16A	37	SK6-6A	32	SKJ10-5.5	38	SKJ16-5	39, 87	SKJ25-25	40
SK25-16AC	37	SK6-6AC	32	SKJ10-5/16	38	SKJ16-5.5	39	SKJ25-25C	40
SK25-17	37	SK6-SET-16-MM	32	SKJ10-5C	87	SKJ16-5/16	39	SKJ25-3/16	40
SK25-17.5	37	SKG-8	42	SKJ10-6	38	SKJ16-5/16C	87	SKJ25-3/16C	40
SK25-18	37	SKG10-10HG	43	SKJ10-6	87	SKJ16-5/16C	39	SKJ25-3/4	40

## INDEX

Part Number	Page	Part Number	Page	Part Number	Page	Part Number	Page	Part Number	Page
SKJ25-3/4C	40	SP1-1/2-1/4	254	T10-020(S)	217	TOW-E25-G	75	VMK12-3/8J	97
SKJ25-3/8	40	SP1-1/2-1/8	254	T10-024	216	TOW-E32-G	75	VMK12-4	97
SKJ25-3/8C	40	SP1-1/2-3/8	254	T10-024(S)	217	TOW-E40-G	75	VMK12-4J	97
SKJ25-4C	40	SP1-1/4	254	T10-028	216	TOW-ER11HEX	75	VMK12-5	97
SKJ25-5/16	40	SP1-1/4-1/2	254	T10-028(S)	217	TOW-ER16/SK13(30)	41, 75	VMK12-5/16	97
SKJ25-5/16C	40	SP1-1/4-1/4	254	T10-032	216	TOW-ER16HEX	75	VMK12-5/16J	97
SKJ25-5/8	40	SP1-1/4-1/8	254	T10-032(S)	217	TOW-ER20/T650(35)	75	VMK12-5J	97
SKJ25-5/8C	40	SP1-1/4-3/8	254	T10-036	216	TOW-ER25(40)	75	VMK12-6	97
SKJ25-6	40	SP1-1/8	254	T10-036(S)	217	TOW-ER32/SK20/T675(50)	41, 75, 236	VMK12-6J	97
SKJ25-6C	40	SP1-3/8	254	T10-040	216	TOW-ER40/C1(60)	75	VMK12-7/16	97
SKJ25-7	40	SP3/4-1/2	254	T10-040(S)	217	TOW-ER8NA	75	VMK12-7/16J	97
SKJ25-7/16	40	SP3/4-1/4	254	T10-044	216	TOW-ER8NA	75	VMK12-8	97
SKJ25-7/16C	40	SP3/4-1/8	254	T10-044(S)	217	TOW-GH10(14X18)	88	VMK12-8J	97
SKJ25-7/8	40	SP3/4-3/8	254	T10-048	216	TOW-GH16	88	VMK8-1/4	97
SKJ25-7/8C	40	SPINDLE-WIPE-#30	279	T10-048(S)	217	TOWS-E08M	75	VMK8-1/4J	97
SKJ25-8	40	SPINDLE-WIPE-#40	279	T10-052	216	TOWS-E11M	75	VMK8-1/8	97
SKJ25-8.5C	40	SPINDLE-WIPE-#50	279	T10-052(S)	217	TOWS-E16M	75	VMK8-1/8JB	97
SKJ25-8C	40	SPINDLE-WIPE-H100/125	279	T10-056	216	TOWS-E20M	75	VMK8-10	97
SKJ25-BLANK	40	SPINDLE-WIPE-H125/160	279	T10-056(S)	217	TOWS-E25M	75	VMK8-10J	97
SKJ6-1/4	38	SPINDLE-WIPE-H25/32	279	T10-064	216	TOW-SK06	41	VMK8-2	97
SKJ6-1/8	38	SPINDLE-WIPE-H32/40	279	T10-064(S)	217	TOW-SK10	41	VMK8-2J	97
SKJ6-2	38	SPINDLE-WIPE-H40/50	279	T10-SET-10	216	TOW-SK16(45)	41	VMK8-2JB	97
SKJ6-2.25	38	SPINDLE-WIPE-H50/63	279	T10-SPAN	222	TOW-SK25(55)	41	VMK8-3	97
SKJ6-2.5	38	SPINDLE-WIPE-H63/80	279	T15-052	216	TOW-TG100(65)	236	VMK8-3/16	97
SKJ6-2C	38	SPINDLE-WIPE-H80/100	279	T15-052(S)	217	UDS-1	278	VMK8-3/16J	97
SKJ6-3	38	ST16M-SF3-160	131	T15-056	216	VCG13-15A	88	VMK8-3/8	97
SKJ6-3.5	38	ST16M-SF4-160	131	T15-056(S)	217	VCG6-8A	88	VMK8-3/8J	97
SKJ6-3.5C	38	ST16M-SF5-160	131	T15-060	216	VCK13-1/2	86	VMK8-3JB	97
SKJ6-3/16	38	ST16M-SF6-160	131	T15-060(S)	217	VCK13-1/4	86	VMK8-4	97
SKJ6-3C	38	ST16M-SF8-160	131	T15-064	216	VCK13-1/8	86	VMK8-4J	97
SKJ6-4	38	ST20M-SF10-160	131	T15-064(S)	217	VCK13-10	86	VMK8-5	97
SKJ6-4.5	38	ST20M-SF6-160	131	T15-072	216	VCK13-11	86	VMK8-5/16	97
SKJ6-4.5C	38	ST20M-SF8-160	131	T15-072(S)	217	VCK13-12	86	VMK8-5/16J	97
SKJ6-4C	38	ST50-SF0125-6.30	131	T15-080	216	VCK13-3	86	VMK8-5J	97
SKJ6-5	38	ST50-SF0187-6.30	131	T15-080(S)	217	VCK13-3/16	86	VMK8-6	97
SKJ6-5.5	38	ST62-SF0125-6.30	131	T15-088	216	VCK13-3/8	86	VMK8-6J	97
SKJ6-5.5C	38	ST62-SF0187-6.30	131	T15-088(S)	217	VCK13-4	86	VMK8-7	97
SKJ6-5C	38	ST62-SF0250-6.30	131	T15-SET-07	216	VCK13-5	86	VMK8-8	97
SKJ6-6	38	ST75-SF0250-6.30	131	T15-SPAN	222	VCK13-5/16	86	VMK8-8J	97
SKJ6-6C	38	ST75-SF0312-6.30	131	TCLA-30/50A/C5	274	VCK13-6	86	W1000-TC1-2.60(C)	207
SKJ6-BLANK	38	ST75-SF0375-6.30	131	TCLA-40/63A/C6	274	VCK13-7	86	W1000-TC2-4.02(C)	207
SKJL-10	38, 87	ST75-SF0500-6.30	131	TCLA-50/100A/C10	274	VCK13-7/16	86	W1005-0562-1.53	207
SKJL-16	39, 87	ST75-SF6-6.30	131	TP05-SET-12	218	VCK13-8	86	W1005-0875-2.48	207
SKJL-25	40	ST75-SF8-6.30	131	TP10-SET-13	218	VCK13-9	86	W10R5-0562-1.46	208
SKJL-6	38	T05-006	216	TP15-SET-10	218	VCK6-1/4	86	W10R5-0875-2.12	208
SKL-10	41	T05-006(S)	217	TP105-008L	218	VCK6-1/8	86	W1205-0562-1.61	207
SKL-6W	41	T05-008	216	TP105-008L(S)	218	VCK6-2	86	W1205-0562-2.60(C)	207
SKN-10BJ	38	T05-008(S)	217	TP105-008S	218	VCK6-3	86	W1205-0875-2.48	207
SKN-10BJ (GH)	38	T05-010	216	TP105-008S(S)	218	VCK6-3/16	86	W1205-0875-4.02(C)	207
SKN-10K	41	T05-010(S)	217	TPT10-016	218	VCK6-4	86	W1205-1375-5.00	207
SKN-13B	41	T05-012	216	TPT10-016(S)	218	VCK6-5	86	W1205-1375-6.57(C)	207
SKN-16B	41	T05-012(S)	217	TPT10-024	218	VCK6-6	86	W1250-RT3-3.27(C)	208
SKN-16BJ	39	T05-016	216	TP110-024(S)	218	VCN-13B	88	W12R5-0562-1.65(C)	208
SKN-16BJ (GH)	39	T05-016(S)	217	TP110-032	218	VCN-13BJ	87, 88	W12R5-0875-2.12(C)	208
SKN-20B	41	T05-020	216	TP110-032(S)	218	VCN-6B	88	W12R5-1375-3.27	208
SKN-25B	41	T05-020(S)	217	TP115-032	218	VCN-6BJ	87, 88	W1500-TC3-6.57(C)	207
SKN-25BJ	40	T05-024	216	TP115-032(S)	218	VMK12-1/2	97	W1505-1375-4.65	207
SKN-25BJ (GH)	40	T05-024(S)	217	TP115-048	218	VMK12-1/2J	97	W15R5-1375-5.96	208
SKN-6WK	41	T05-028	216	TP115-048(S)	218	VMK12-1/4	97	W25MR5-0562-37	208
SKN-6WKJ	38	T05-028(S)	217	TP115-064	218	VMK12-1/4J	97	W25MR5-0562-38(C)	207, 208
SKN-6WKJ (GH)	38	T05-032	216	TP115-064(S)	218	VMK12-10	97	W25MR5-0875-54(C)	207, 208
SKR-10	41	T05-032(S)	217	TOW-025	41, 75, 88	VMK12-10J	97	W25MR5-0875-56	208
SKR-16	41	T05-036	216	TOW-200	41, 75, 88, 236	VMK12-12	97	W7505-0562-1.53	207
SKR-25	41	T05-036(S)	217	TOW-E16-G	75	VMK12-12J	97	W75R5-0562-1.46(C)	208
SKR-6	41	T05-SET-10	216	TOW-E20-G	75	VMK12-3/16	97	ZERO-SET2/50	277
SP1-1/2	254	T05-SPAN	222	TOW-E20-G	75	VMK12-3/16J	97		
SP1-1/2-1/2	254	T10-020	216			VMK12-3/8	97		