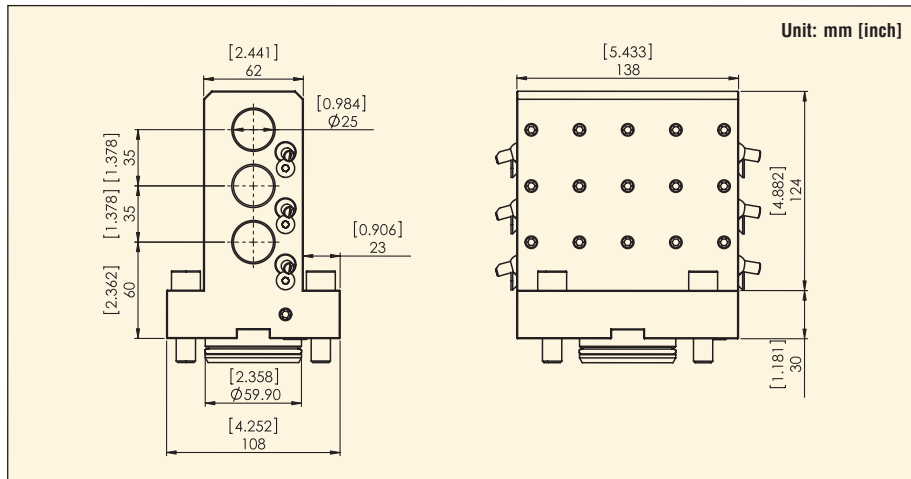
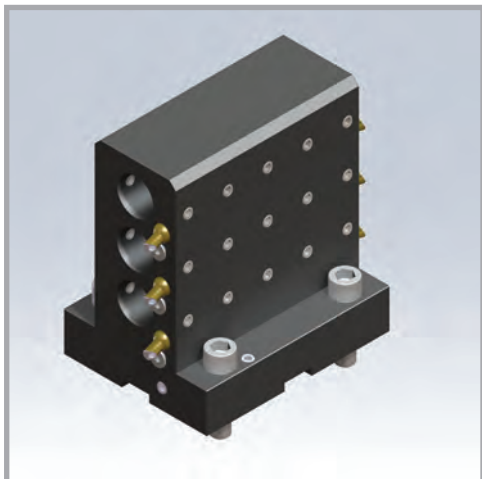




25mm Boring Bar Holder 6 Output (Main & Sub)

Part #:MNL12-BG25MZ-MST-HW

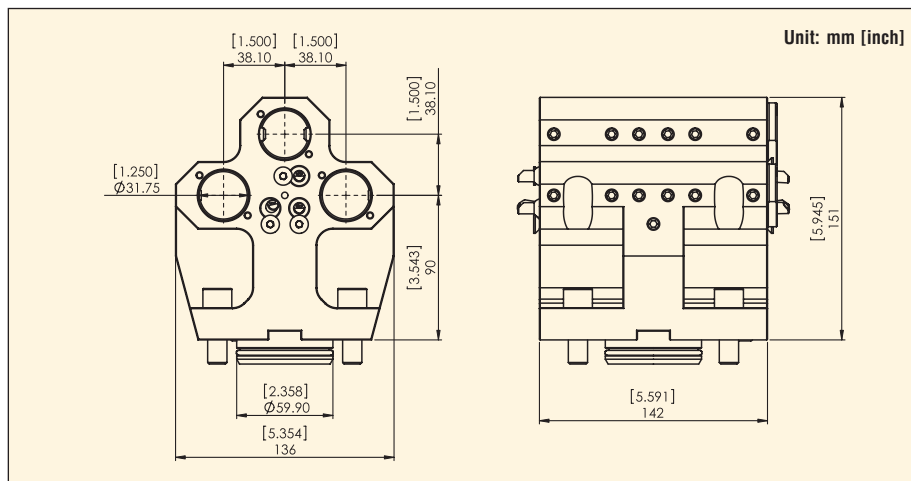
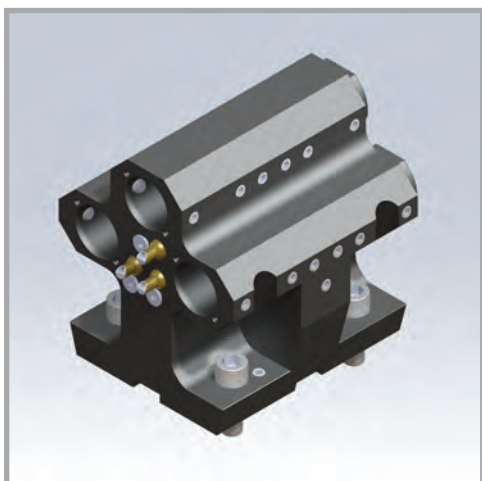
12 Station - Static Tool



Description	Output Size	Shaft Diameter
25mm Boring Bar Holder, 6 Output (Main & Sub)	25mm	2.36" (60mm)

1.25" Boring Bar Holder 6 Output (Main & Sub)

Part #:MNL12-BG12Z-MST-HW



Description	Output Size	Shaft Diameter
1.25" Boring Bar Holder, 6 Output (Main & Sub)	1.25"	2.36" (60mm)