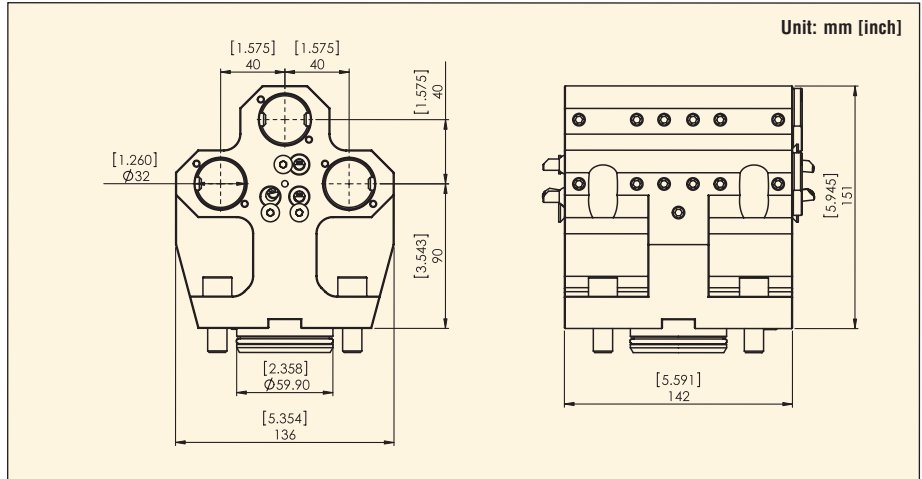
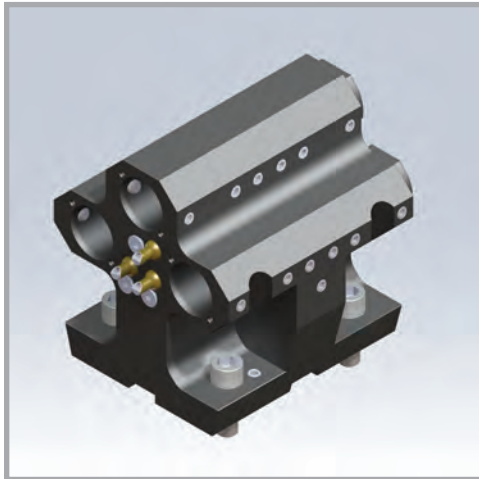




# 32mm Boring Bar Holder 6 Output (Main & Sub)

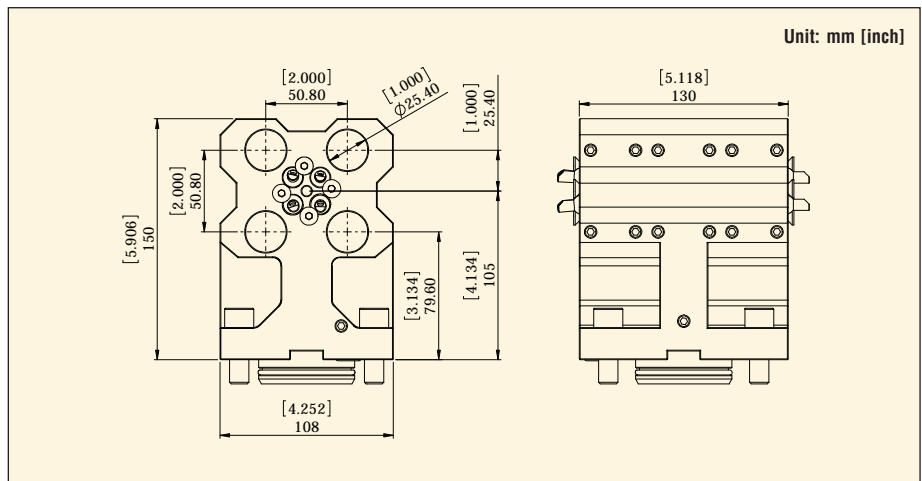
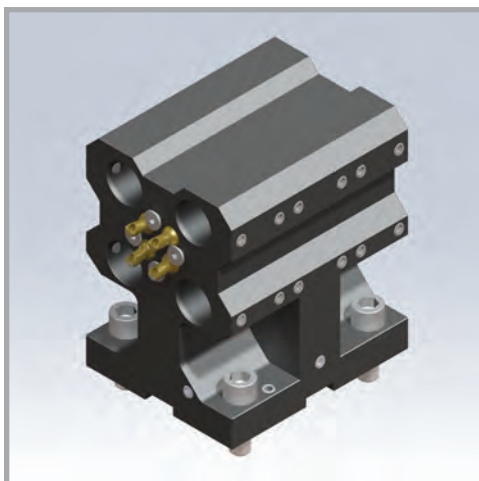
Part #:MNL12-BG32MZ-MST-HW



Description	Output Size	Shaft Diameter
32mm Boring Bar Holder, 6 Output (Main & Sub)	32mm	2.36" (60mm)

# 1" Boring Bar Holder 8 Output (Main & Sub)

Part #:MNL12-BG10Z-MSQ-HW



Description	Output Size	Shaft Diameter
1" Boring Bar Holder, 8 Output (Main & Sub)	1"	2.36" (60mm)

12 Station - Static Tool