

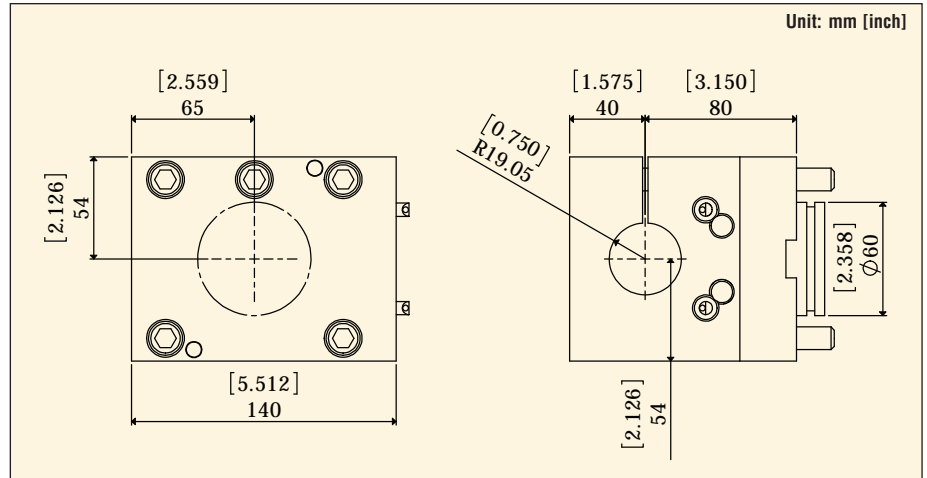
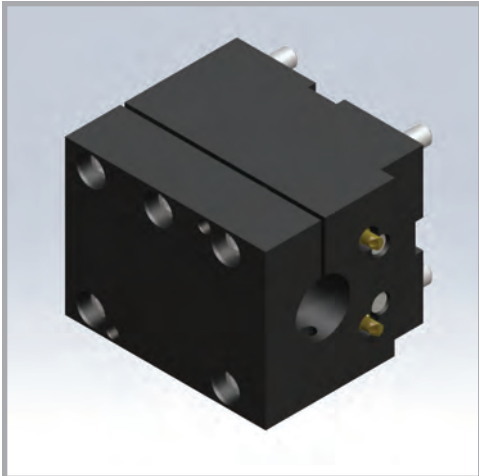


1.5" Boring Bar Holder with Slot

Part #: MNL12-BGS15Z

Mori Seiki Part #: T10143

12 Station - Static Tool

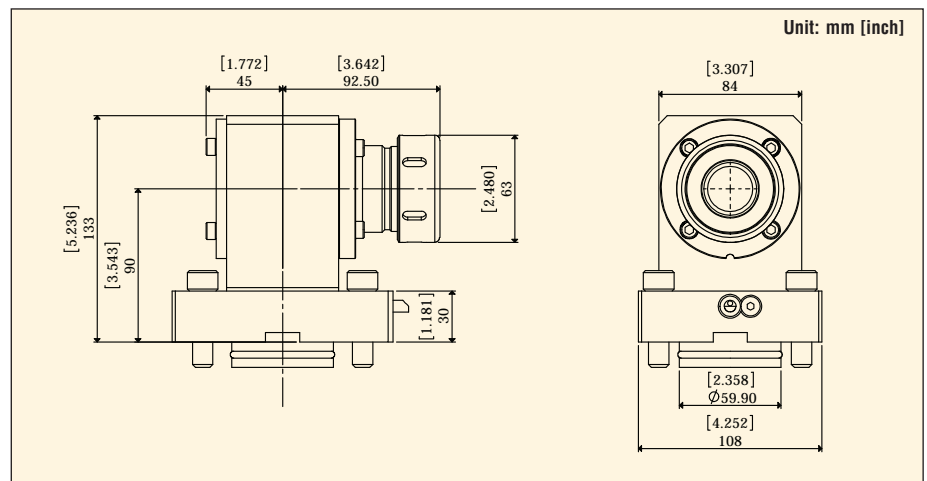
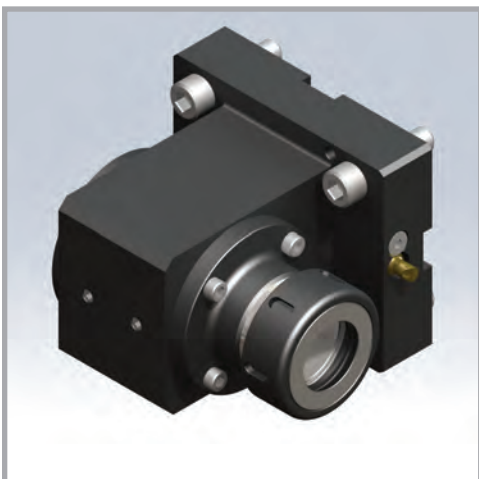


Description	Output Size	Shaft Diameter
1.5" Boring Bar Holder with Slot	1.5" (38.1mm)	2.36" (60mm)

Tool suitable for Mori Seiki 12-station NLX Series only.

ER40 Collet Chuck Static Holder

Part #: MNL12-ER40Z-STATIC



Description	Output Size	Shaft Diameter	Replacement Nut	Wrench
ER40 Collet Chuck Static Holder	ER40 (5/32" to 1")	2.36" (60mm)	NA40	FK-9