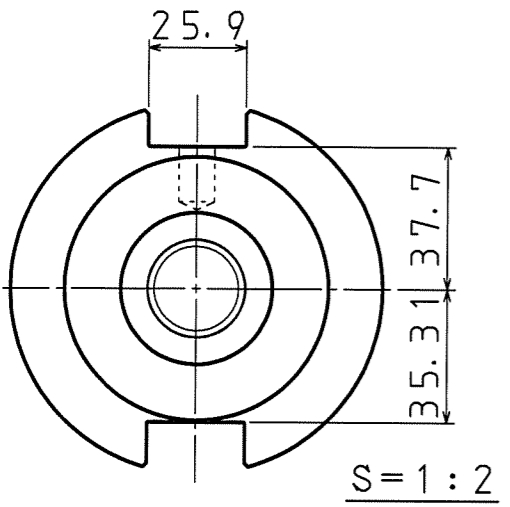
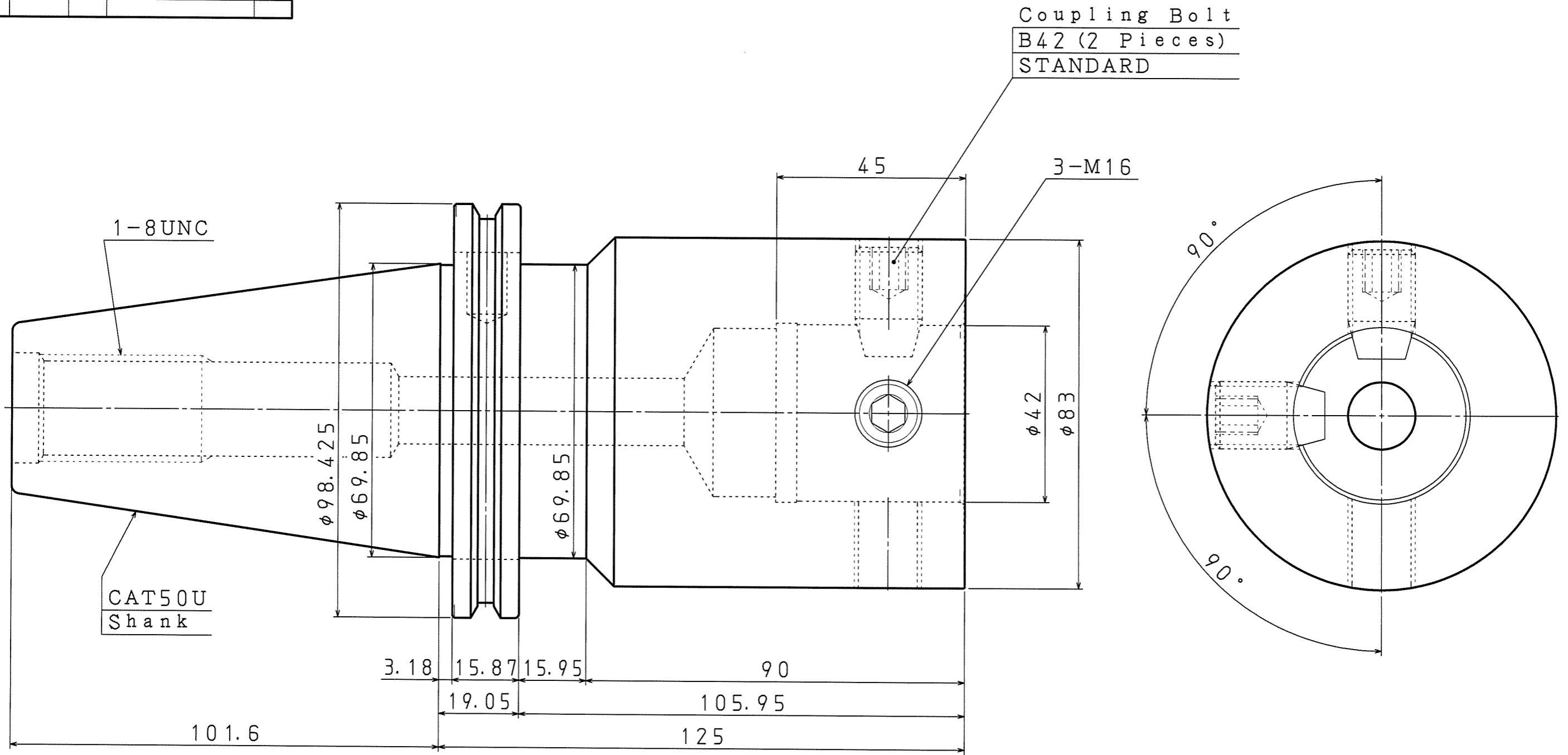


Symbol	Date	Rev. by	Notice	Check
△ x				
△ x				
△ x				
△ x				

NIKKEN KOSAKUSHO WORKS., LTD. All Rights Reserved.



KIND Q42 Standard	TITLE BASE HOLDER for MODULAR TYPE BORING BAR	CUSTOMER		
MACHINE MODEL	CODE NO. CAT50-Q42-125U	DESIGNED Isohama	CHECKED Taguchi	APPROVED <i>[Signature]</i>
SCALE 1:1	NIKKEN KOSAKUSHO WORKS, LTD.	DIR-NAME MQA1		
DATE 2026. 04. 03		DRWG NO. MQA07-08001/0		