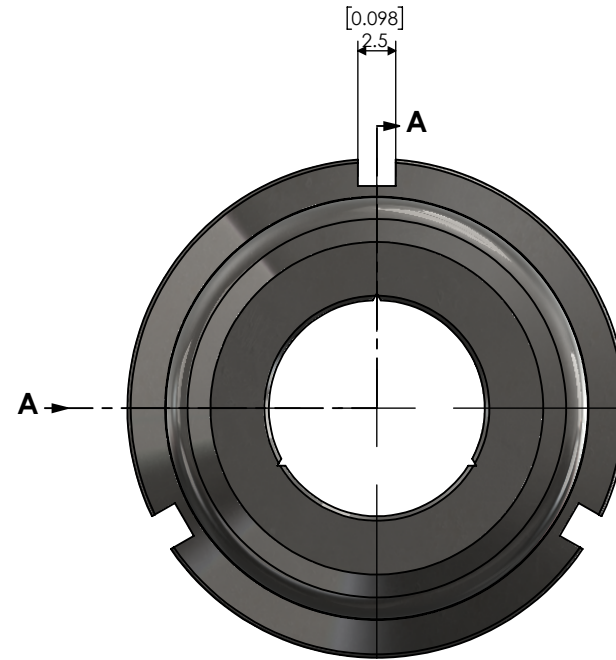


SECTION A-A



**PROPRIETARY AND CONFIDENTIAL**

THE INFORMATION CONTAINED IN THIS DRAWING IS THE SOLE PROPERTY OF LYNDEX NIKKEN. ANY REPRODUCTION IN PART OR AS A WHOLE WITHOUT THE WRITTEN PERMISSION OF LYNDEX NIKKEN IS PROHIBITED. DRAWING SUBJECT TO CHANGE WITHOUT NOTICE.

NOTES:

CCK Coolant Jet Slot Nut/Cap OD20mm(3/4") ID9/16"



SIZE <b>A</b>	DWG. NO. CKFN20(3/4)-9/16	REV. 1
SCALE 2:1		SHEET 1 OF 1