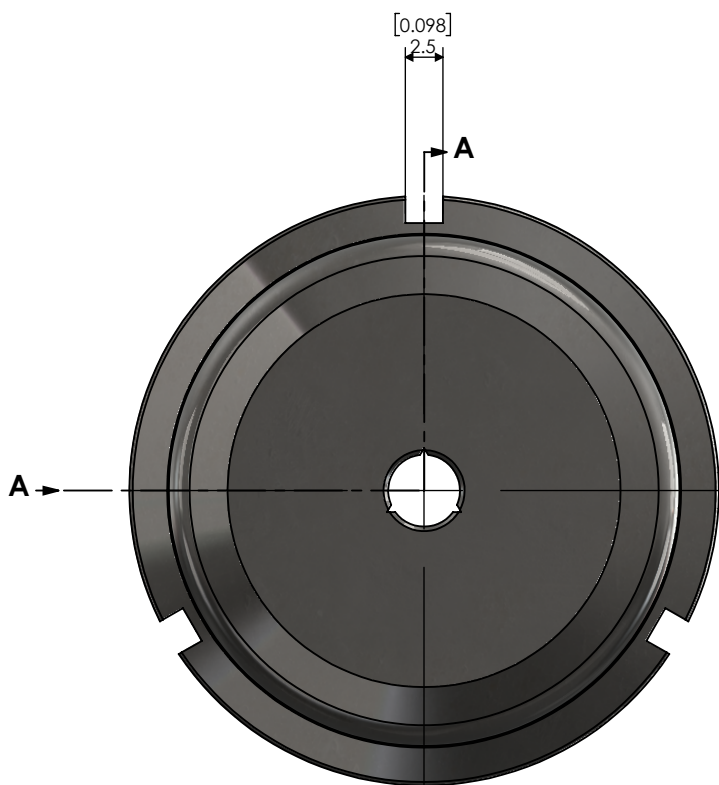


SECTION A-A



|  |                            |              |   |
|--|----------------------------|--------------|---|
| <b>PROPRIETARY AND CONFIDENTIAL</b>  |                            | NOTES:       | CCK Coolant Jet Slot Nut/Cap OD25mm(1") ID3/16" |
| THE INFORMATION CONTAINED IN THIS DRAWING IS THE SOLE PROPERTY OF LYNDEX NIKKEN. ANY REPRODUCTION IN PART OR AS A WHOLE WITHOUT THE WRITTEN PERMISSION OF LYNDEX NIKKEN IS PROHIBITED. DRAWING SUBJECT TO CHANGE WITHOUT NOTICE. |                            |              |   |
| SIZE<br><b>A</b>   | DWG. NO.<br>CKFN25(1)-3/16 | REV.<br>1    |   |
| SCALE 2:1  |                            | SHEET 1 OF 1 |   |