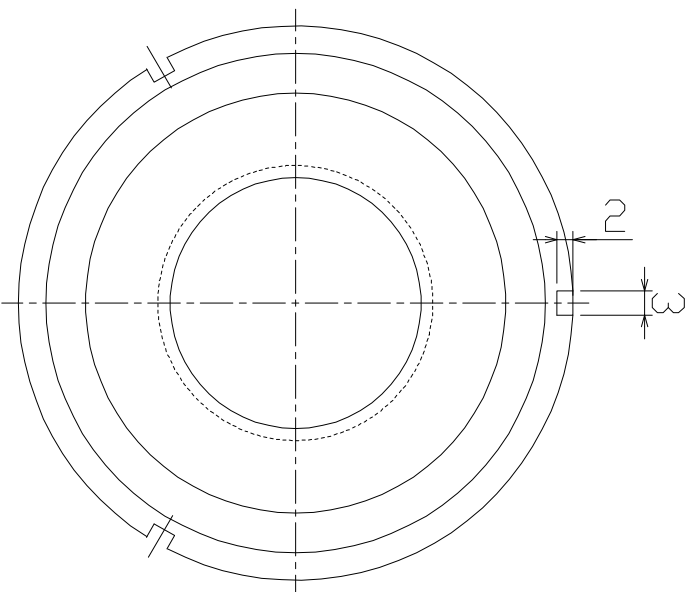
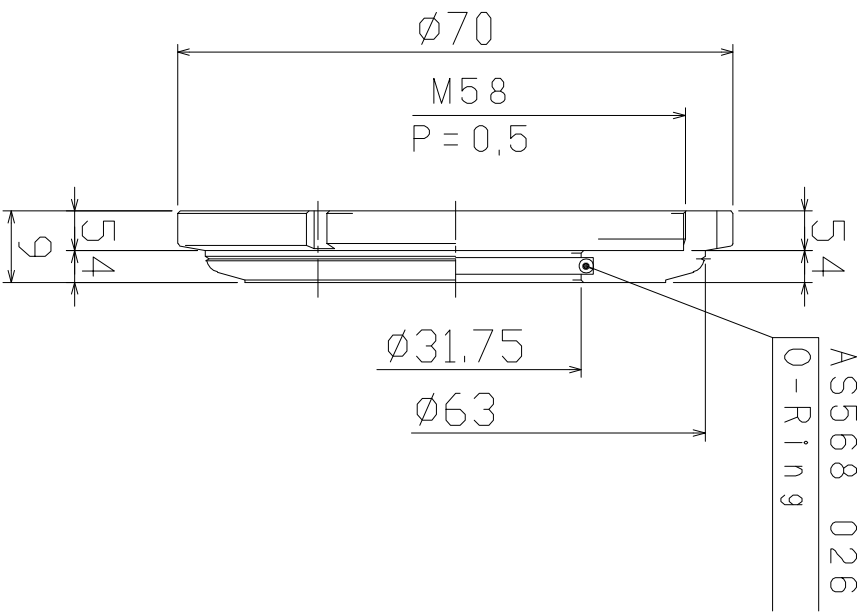


Symbol	Date	Revise	Notice	Check
△x				
△x				
△x				
△x				

NIKKEN KOSAKUSHO WORKS, LTD. All Rights Reserved.



KIND	TITLE	CUSTOMER
CKEN50	Front Nut	
MACHINE MODEL	CODE NO.	DESIGNED
	CKEN50-1 1/4C	S. CHIKAWURA
SCALE 1:1	DIR-NAME	CHECKED
DATE 2023.08.07	NIKKEN KOSAKUSHO WORKS, LTD.	OKGA1
	DRWG NO.	APPROVED
	OKGA01-11618/0	

