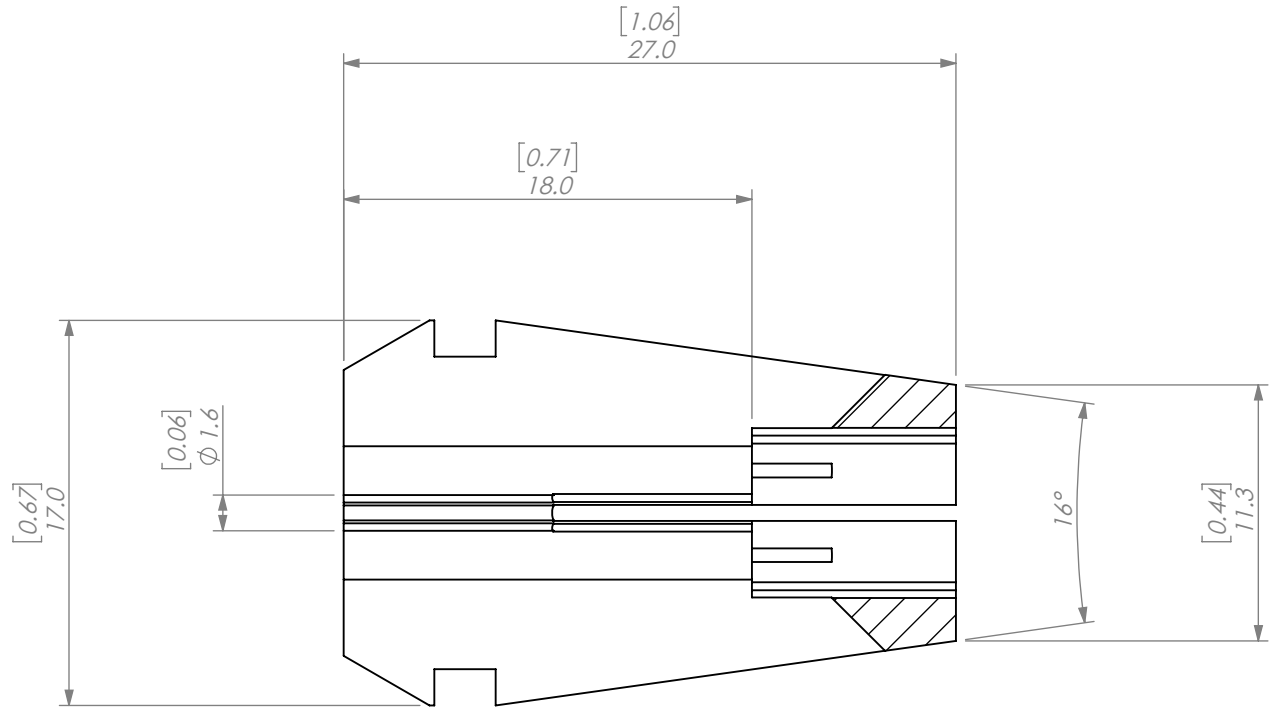


SCALE 2:1



REVISIONS			
REV.	DESCRIPTION	DATE	APPROVED

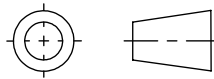
Notes:

UNLESS OTHERWISE SPECIFIED:

DIMENSIONS ARE IN MM [INCH]  
 TOLERANCES:  
 FRACTIONAL ±  
 ANGULAR: MACH ± BEND ±  
 TWO PLACE DECIMAL ±  
 THREE PLACE DECIMAL ±

INTERPRET GEOMETRIC  
 TOLERANCING PER: ANSI Y 14.5M

THIRD ANGLE PROJECTION



NAME DATE

DRAWN AM 09/21/20

CHECKED

ENG APPR.

MFG APPR.

Q.A.

**PROPRIETARY AND CONFIDENTIAL**  
 THE INFORMATION CONTAINED IN THIS  
 DRAWING IS THE SOLE PROPERTY OF  
 LYNDEX NIKKEN. ANY REPRODUCTION  
 IN PART OR AS A WHOLE WITHOUT THE  
 WRITTEN PERMISSION OF LYNDEX NIKKEN  
 IS PROHIBITED.

ER16 COLLET 1/16"



SIZE DWG. NO. REV  
**A** E16-004

SCALE: 3:1 SHEET 1 OF 1