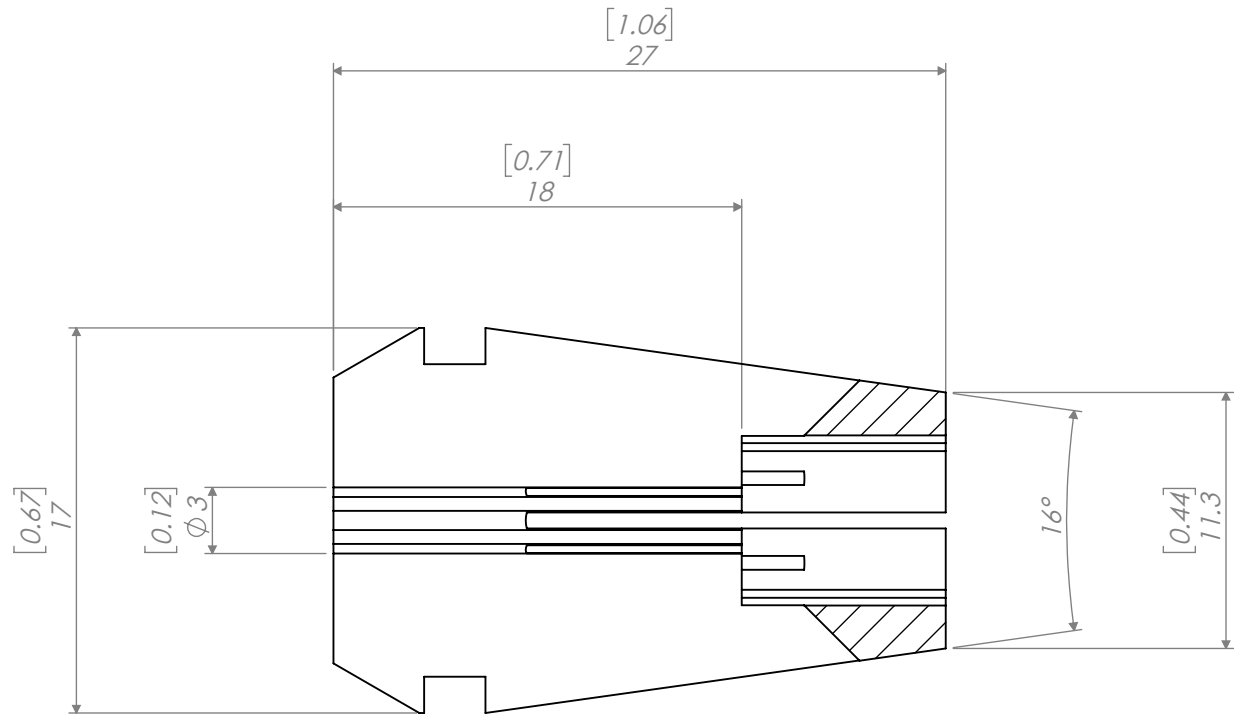


SCALE 2:1



REVISIONS			
REV.	DESCRIPTION	DATE	APPROVED

NOTES:

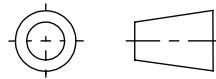
UNLESS OTHERWISE SPECIFIED:

DIMENSIONS ARE IN MM
[INCH]

DIMENSIONS ARE FOR
REFERENCE ONLY. DRAWING
IS SUBJECT TO CHANGE
WITHOUT FURTHER NOTICE.

INTERPRET GEOMETRIC
TOLERANCING PER: ASME Y 14.5M

THIRD ANGLE PROJECTION



NAME

DATE

DRAWN

AM

09/22/20

CHECKED

ENG APPR.

MFG APPR.

Q.A.

PROPRIETARY AND CONFIDENTIAL

THE INFORMATION CONTAINED IN THIS
DRAWING IS THE SOLE PROPERTY OF
LYNDEX NIKKEN. ANY REPRODUCTION
IN PART OR AS A WHOLE WITHOUT THE
WRITTEN PERMISSION OF LYNDEX NIKKEN
IS PROHIBITED.

ER16 COLLET 3.0mm



SIZE
A

DWG. NO.
E16-118

REV

SCALE: 3:1

SHEET 1 OF 1

5

4

3

2

1