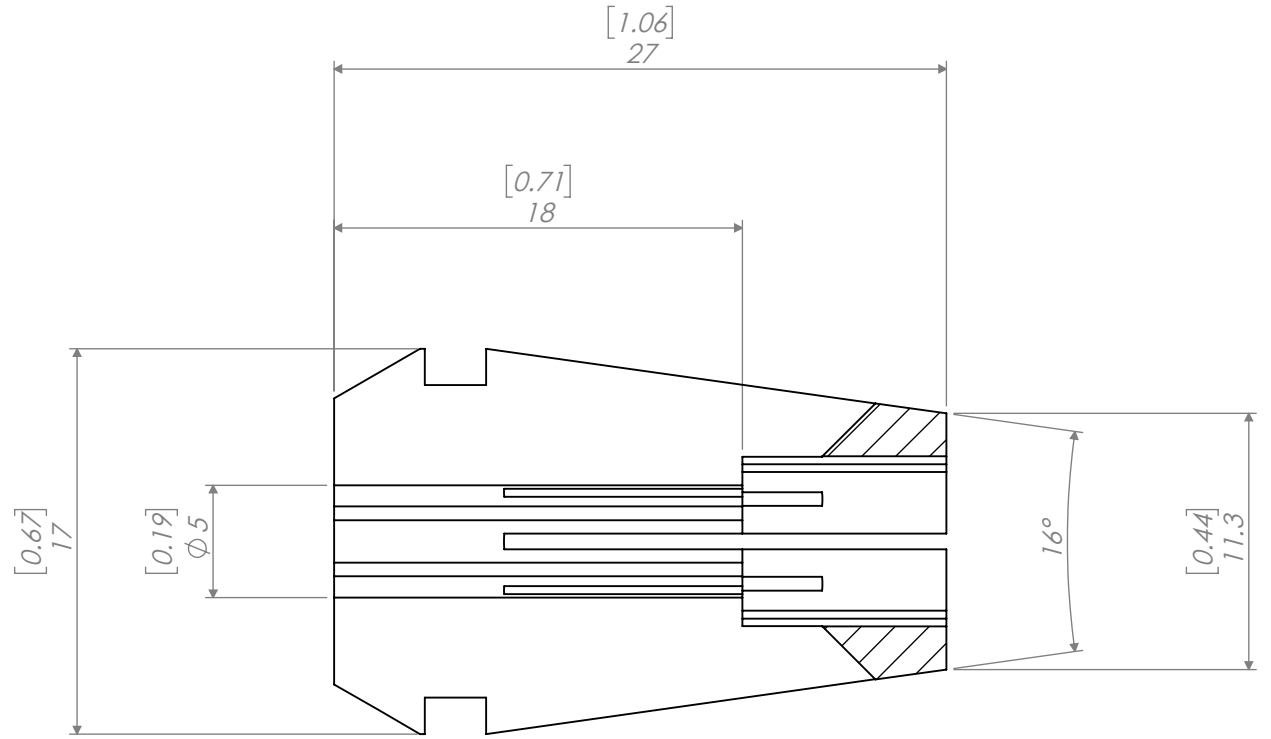


SCALE 2:1



REVISIONS			
REV.	DESCRIPTION	DATE	APPROVED

NOTES:

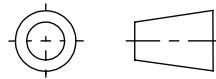
UNLESS OTHERWISE SPECIFIED:

DIMENSIONS ARE IN MM
[INCH]

DIMENSIONS ARE FOR
REFERENCE ONLY. DRAWING
IS SUBJECT TO CHANGE
WITHOUT FURTHER NOTICE.

INTERPRET GEOMETRIC
TOLERANCING PER: ASME Y 14.5M

THIRD ANGLE PROJECTION



	NAME	DATE
DRAWN	AM	09/23/20
CHECKED		
ENG APPR.		
MFG APPR.		
Q.A.		

PROPRIETARY AND CONFIDENTIAL

THE INFORMATION CONTAINED IN THIS
DRAWING IS THE SOLE PROPERTY OF
LYNDEX NIKKEN. ANY REPRODUCTION
IN PART OR AS A WHOLE WITHOUT THE
WRITTEN PERMISSION OF LYNDEX NIKKEN
IS PROHIBITED.

ER16 COLLET 5.0 mm



SIZE	DWG. NO.	REV
A	E16-196	
SCALE: 3:1		SHEET 1 OF 1

5

4

3

2

1