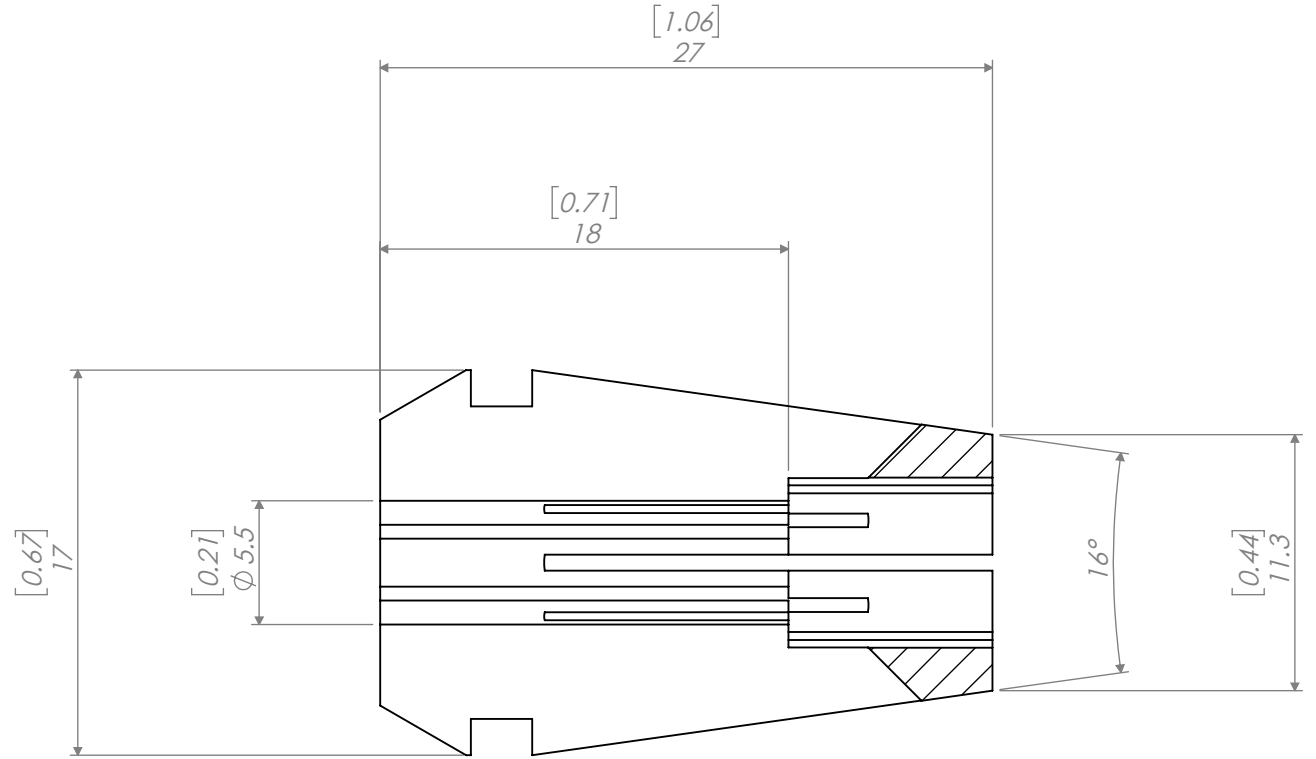


SCALE 2:1



REVISIONS			
REV.	DESCRIPTION	DATE	APPROVED

NOTES:

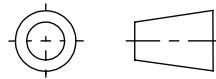
UNLESS OTHERWISE SPECIFIED:

DIMENSIONS ARE IN MM  
[INCH]

DIMENSIONS ARE FOR  
REFERENCE ONLY. DRAWING  
IS SUBJECT TO CHANGE  
WITHOUT FURTHER NOTICE.

INTERPRET GEOMETRIC  
TOLERANCING PER: ASME Y 14.5M

THIRD ANGLE PROJECTION



	NAME	DATE
DRAWN	AM	09/23/20
CHECKED		
ENG APPR.		
MFG APPR.		
Q.A.		

**PROPRIETARY AND CONFIDENTIAL**

THE INFORMATION CONTAINED IN THIS  
DRAWING IS THE SOLE PROPERTY OF  
LYNDEX NIKKEN. ANY REPRODUCTION  
IN PART OR AS A WHOLE WITHOUT THE  
WRITTEN PERMISSION OF LYNDEX NIKKEN  
IS PROHIBITED.

ER16 COLLET 5.5 mm



SIZE	DWG. NO.	REV
<b>A</b>	E16-216	

SCALE: 3:1

SHEET 1 OF 1