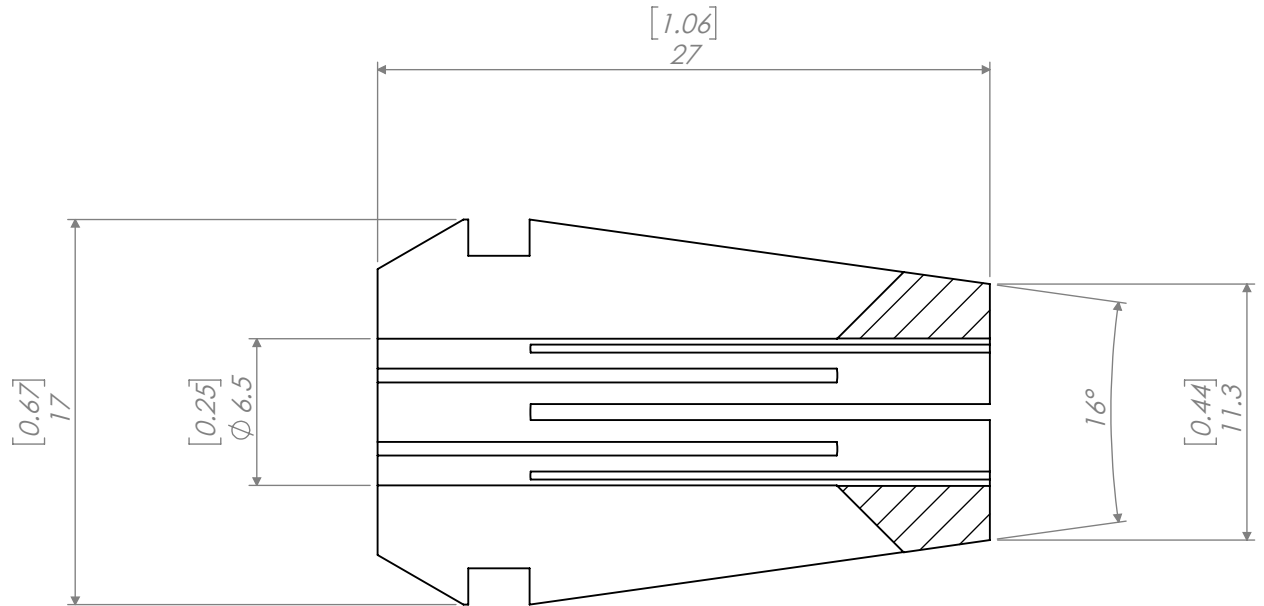


SCALE 2:1



REVISIONS			
REV.	DESCRIPTION	DATE	APPROVED

NOTES:

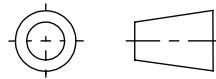
UNLESS OTHERWISE SPECIFIED:

DIMENSIONS ARE IN MM  
[INCH]

DIMENSIONS ARE FOR  
REFERENCE ONLY. DRAWING  
IS SUBJECT TO CHANGE  
WITHOUT FURTHER NOTICE.

INTERPRET GEOMETRIC  
TOLERANCING PER: ASME Y 14.5M

THIRD ANGLE PROJECTION



NAME

DATE

DRAWN

AM

09/23/20

CHECKED

ENG APPR.

MFG APPR.

Q.A.

**PROPRIETARY AND CONFIDENTIAL**

THE INFORMATION CONTAINED IN THIS  
DRAWING IS THE SOLE PROPERTY OF  
LYNDEX NIKKEN. ANY REPRODUCTION  
IN PART OR AS A WHOLE WITHOUT THE  
WRITTEN PERMISSION OF LYNDEX NIKKEN  
IS PROHIBITED.

ER16 COLLET 6.5mm



SIZE  
**A**

DWG. NO.  
E16-255

REV

SCALE: 3:1

SHEET 1 OF 1