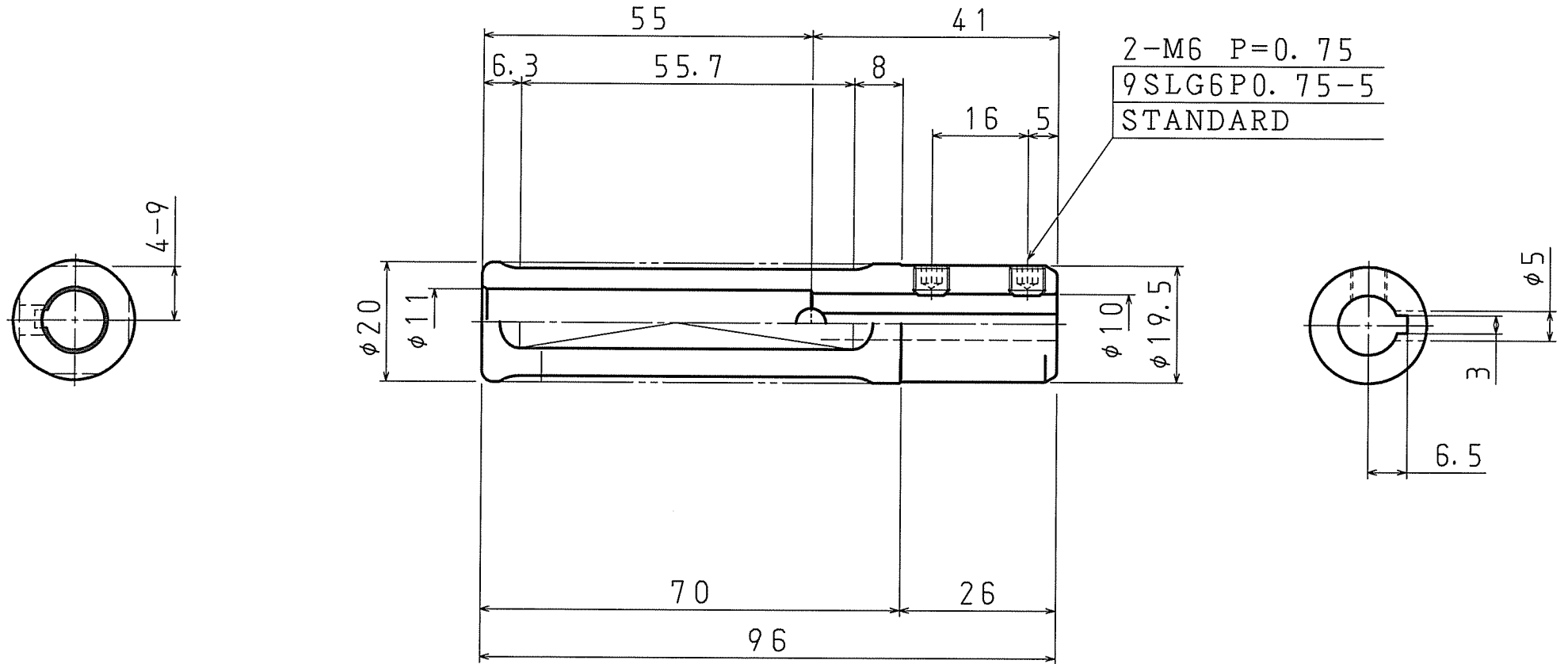


Symbol	Date	Rev. by	Notice	Check
△ x				
△ x				
△ x				
△ x				



KIND		TITLE Oil Jetter Bit Sleeve (オイルジェッターバイトスリーブ)		CUSTOMER			
MACHINE MODEL		CODE NO. LEA20-10		DESIGNED	CHECKED	APPROVED	
SCALE 1/1		DATE 2016. 10. 03		MITSUSHIO <i>Mitsushio</i>		<i>E. Nakaw</i>	
		NIKKEN KOSAKUSHO WORKS, LTD.		DIR-NAME LEA1		DRWG NO. LEA06-93003/0	