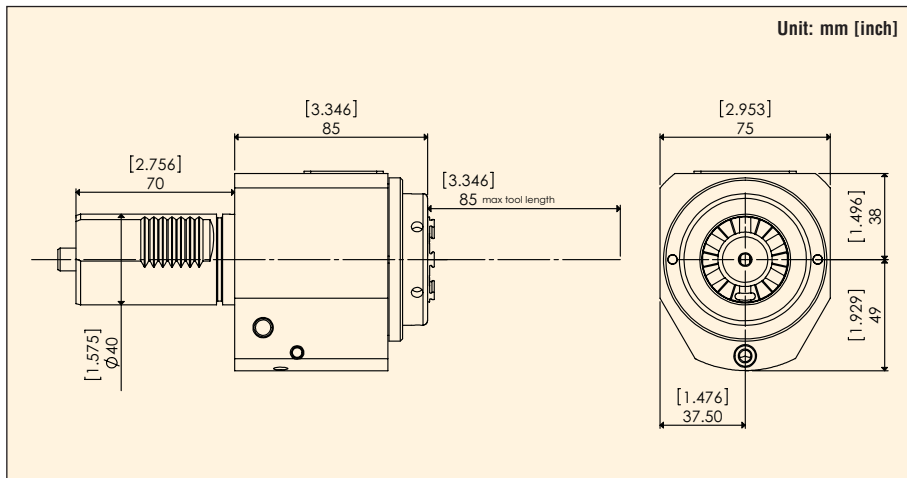
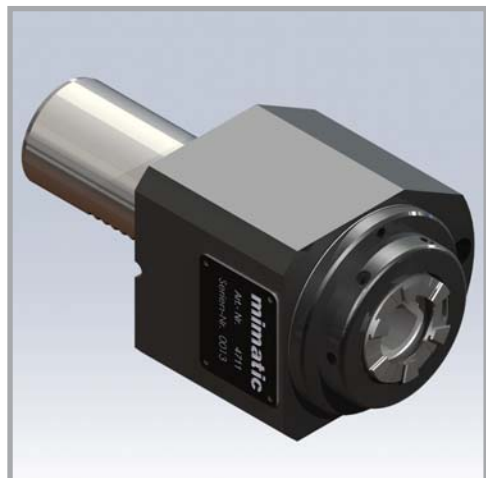


Straight Type

Part #: MZQT47-ER32X-C

Mimatic Part #(new): 124256



Collet Size	Clamping Range	Max. Torque	Input/Output RPM (Max.)	Gear Ratio	Input/Output Rotation	Coolant	Spindle Wrench	Nut Wrench
ER32	1-20mm	80 Nm	6500/6500	1:1	CW-CW	Internal (1000 PSI)	107642	112900

Please refer to pages 44 - 47 for ER Series Collets and ER Tap Collets details. Internal coolant tools must not be run dry.

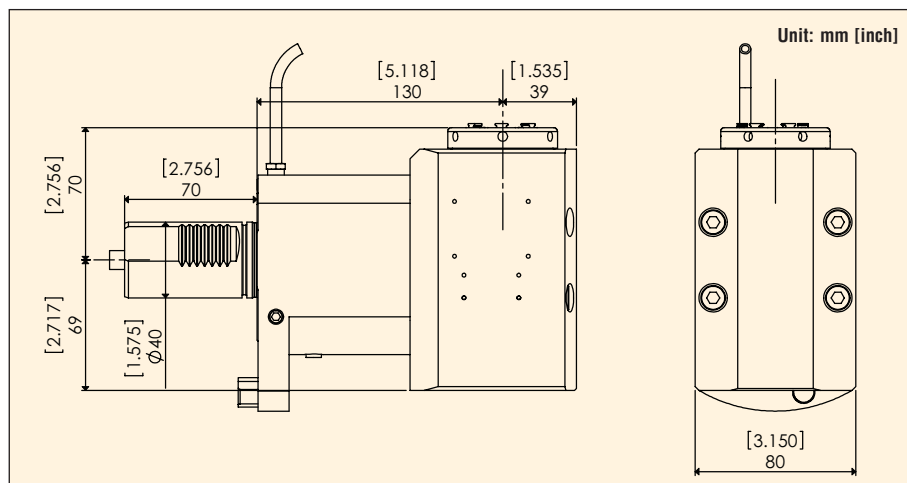
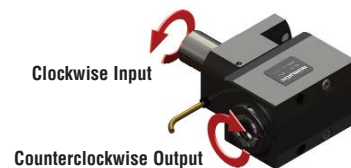
90 Degree Angle

Part #: MZQT47-ER32Z

Mimatic Part #(old): 05.1311.7340.505

Mimatic Part #(new): 124635

Mazak Reference #: 532 060 20202



Collet Size	Clamping Range	Max. Torque	Input/Output RPM (Max.)	Gear Ratio	Input/Output Rotation	Coolant	Spindle Wrench	Nut Wrench
ER32	1-20mm	50 Nm	6500/6500	1:1	CW-CCW	External	107642	112900

Please refer to pages 44 - 47 for ER Series Collets and ER Tap Collets details.

CTN200/250 & SQT15/18