

90 Degree Angle

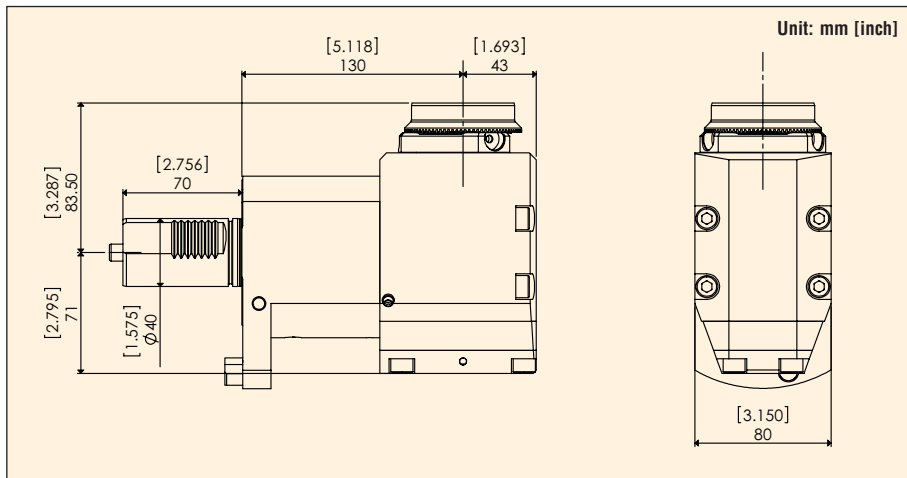
Part #: MZQT47-MI50Z-C

Mimatic Part #(old): 05.1611.7340.MI50
Mimatic Part #(new): 124875



Clockwise Input

Counterclockwise Output



Collet Size	Clamping Range	Max. Torque	Input/Output RPM (Max.)	Gear Ratio	Input/Output Rotation	Coolant	Spindle Wrench	Nut Wrench
MI50	-	50 Nm	6500/6500	1:1	CW-CCW	Internal (1000 PSI)	170419	173985

Please refer to pages 44 - 47 for ER Series Collets and ER Tap Collets details. Internal coolant tools must not be run dry.

90 Degree Angle (for sub spindle)

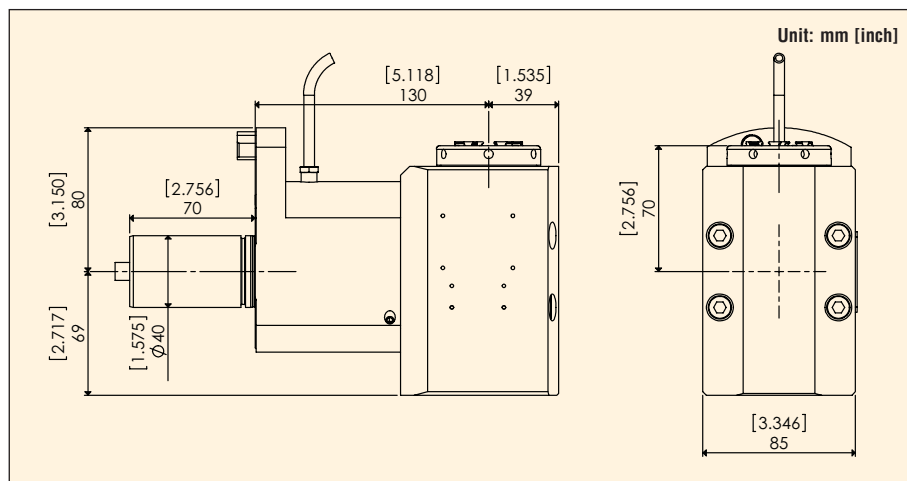
Part #: MZQT47-ER32Z-SUB

Mimatic Part #(old): 05.1311.7340.505.1
Mimatic Part #(new): 124636



Clockwise Input

Counterclockwise Output



Collet Size	Clamping Range	Max. Torque	Input/Output RPM (Max.)	Gear Ratio	Input/Output Rotation	Coolant	Spindle Wrench	Nut Wrench
ER32	1-20mm	50 Nm	6500/6500	1:1	CW-CCW	External	107642	112900

Please refer to pages 44 - 47 for ER Series Collets and ER Tap Collets details.

QTN200/250 & SQT15/18