

Offset Type

Part #: MZQT5-MI63X-OFF-C

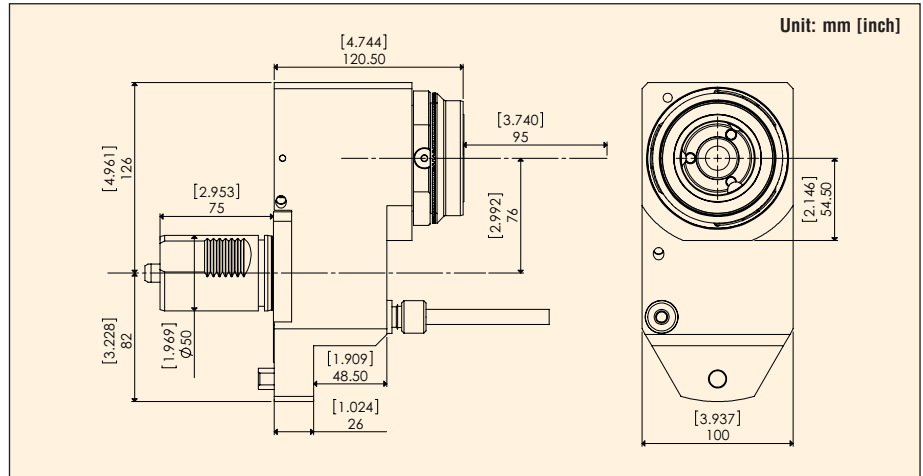
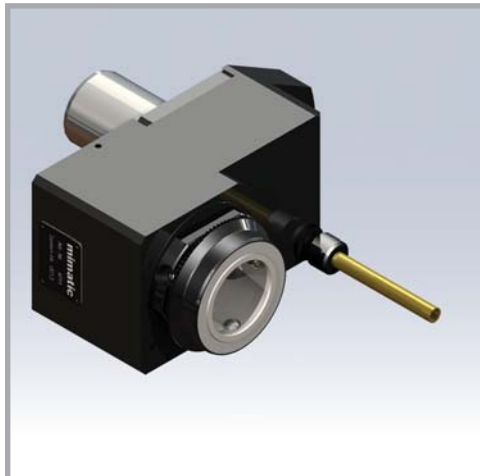
Mimatic Part #(old): 05.0211.7350.MI63
Mimatic Part #(new): 123691



Clockwise Input



Counterclockwise Output



Collet Size	Clamping Range	Max. Torque	Input/Output RPM (Max.)	Gear Ratio	Input/Output Rotation	Coolant	Spindle Wrench	Nut Wrench
MI63	-	100 Nm	6500/6500	1:1	CW-CCW	Internal (1000 PSI)	170419	173985

Please refer to pages 44 - 47 for ER Series Collets and ER Tap Collets details. Internal coolant tools must not be run dry.

90 Degree Angle

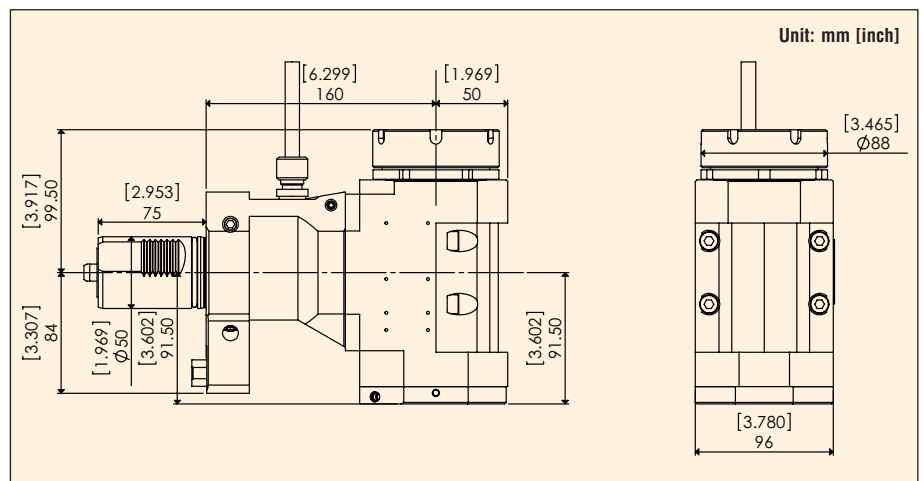
Part #: MZQT5-CT40Z

Mimatic Part #(new): 131538
Mazak Reference #: 533-080-20500

Clockwise Input



Counterclockwise Output



Collet Size	Clamping Range	Max. Torque	Input/Output RPM (Max.)	Gear Ratio	Input/Output Rotation	Coolant	Spindle Wrench	Nut Wrench
CAT40	-	100 Nm	5200/5200	1:1	CW-CCW	External	-	-

Please refer to pages 44 - 47 for ER Series Collets and ER Tap Collets details.

QTN300/350 & SQT28/30