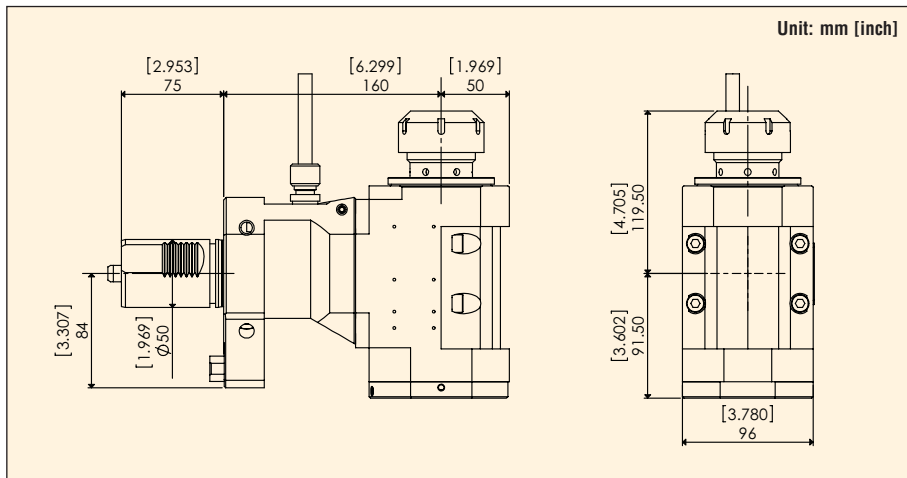
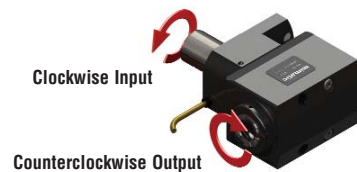


90 Degree Angle

Part #: MZQT5-ER40Z

Mimatic Part #(old): 05.1311.7350.606
Mimatic Part #(new): 124641



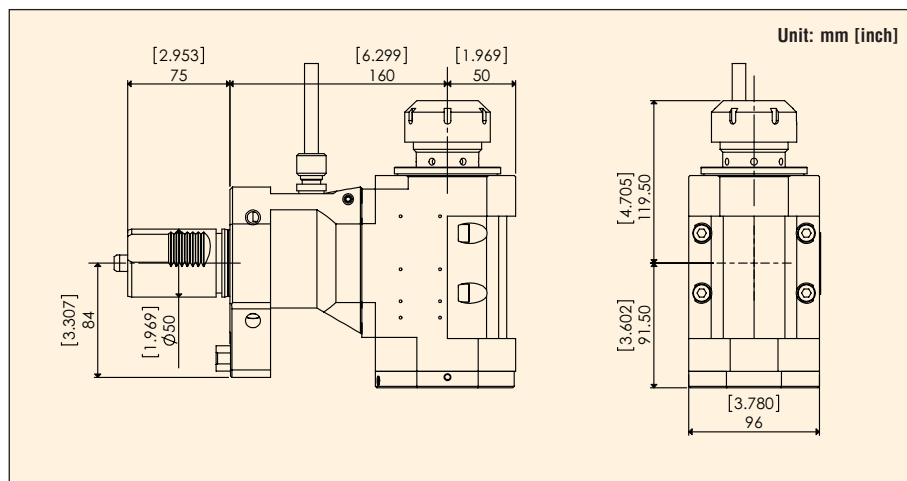
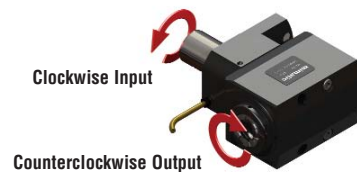
Collet Size	Clamping Range	Max. Torque	Input/Output RPM (Max.)	Gear Ratio	Input/Output Rotation	Coolant	Spindle Wrench	Nut Wrench
ER40	2.0-26mm	100 Nm	6500/6500	1:1	CW-CCW	External	107446	107628

Please refer to pages 44 - 47 for ER Series Collets and ER Tap Collets details.

90 Degree Angle

Part #: MZQT5-ER40Z-C

Mimatic Part #(old): 05.1611.7350.606
Mimatic Part #(new): 124877



Collet Size	Clamping Range	Max. Torque	Input/Output RPM (Max.)	Gear Ratio	Input/Output Rotation	Coolant	Spindle Wrench	Nut Wrench
ER40	2.0-26mm	100 Nm	6500/6500	1:1	CW-CCW	Internal (1000 PSI)	107446	107628

Please refer to pages 44 - 47 for ER Series Collets and ER Tap Collets details. Internal coolant tools must not be run dry.