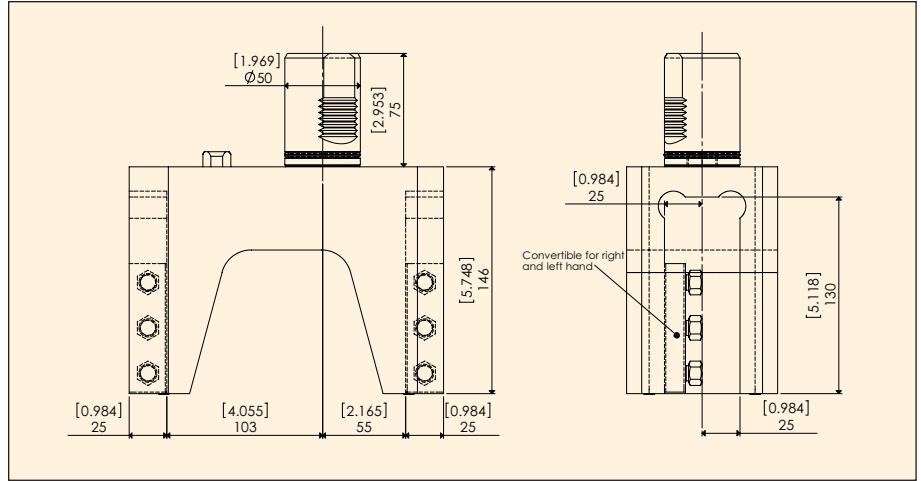
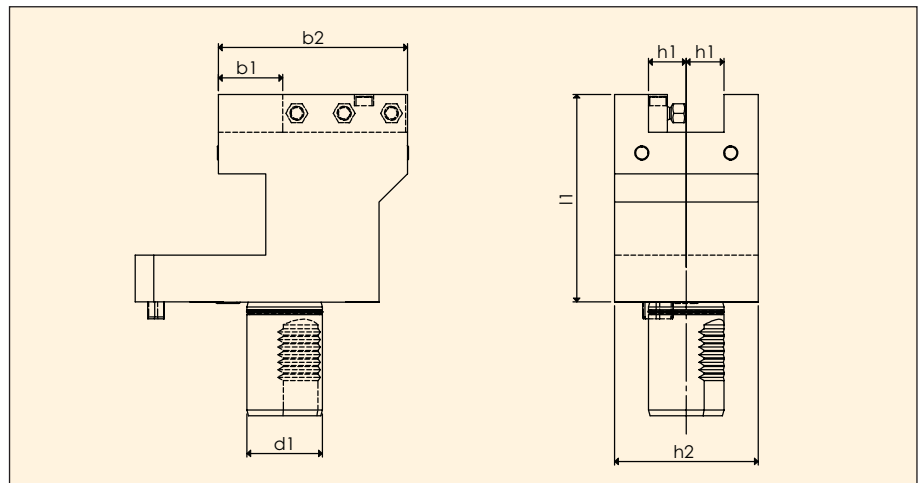


## OD Turning Tool (right hand and left hand - dual output)



Part Number	Size	d1	l1	l2	b1	h1
MZQT5-OD10X-MS Mimatic Part #(new): 118010	VDI 50	1.969	1.811	5.748	2.953	1.000

## Face Turning (right hand and left hand)



Part Number	Size	d1	h2	l1	b1	b2	h1
MZQT5-ID10Z Mimatic Part #(new): 118012	VDI 50	1.969	3.858	6.417	2.244	4.724	1.000