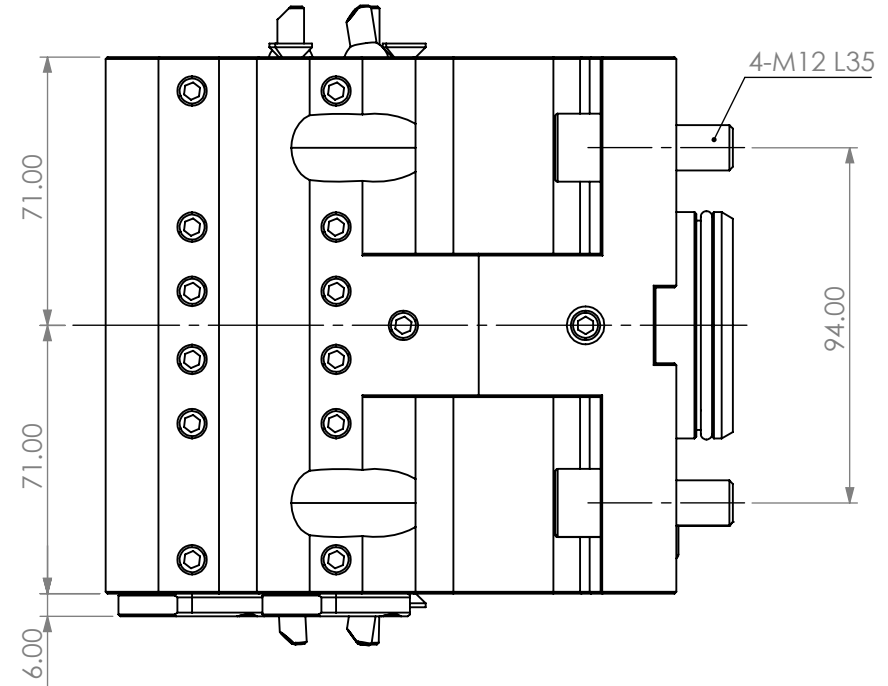
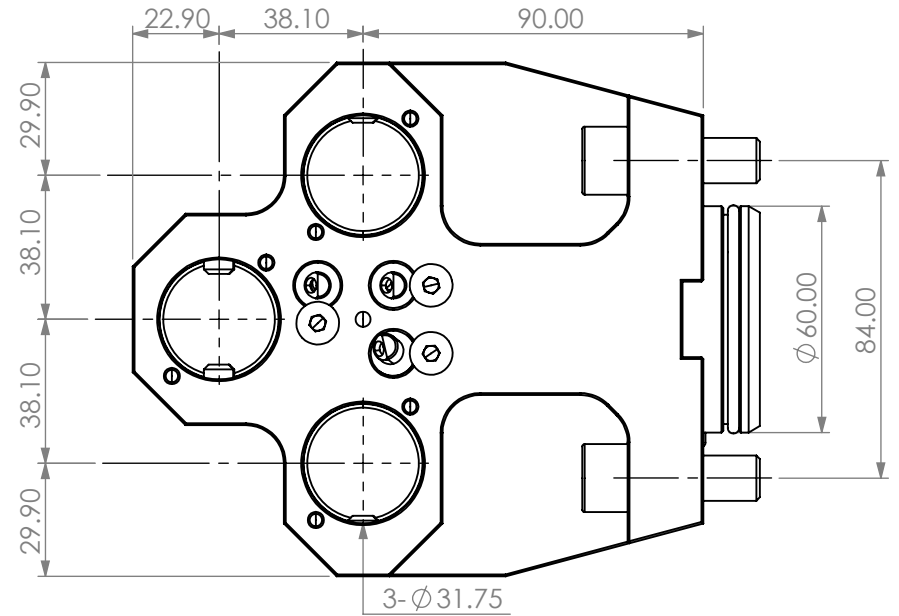


90 DEGREE STATIC TOOL  
 OUTPUT: 1.1/4" BORING BAR TRIPLE  
 COOLANT: EXTERNAL & INTERNAL  
 \*\*BACK PLATE REMOVABLE\*\*



ITEM	PART NO.	DESC.	QTY.
1			
2			
3			
4			
5			

**PROPRIETARY AND CONFIDENTIAL**

THE INFORMATION CONTAINED IN THIS DRAWING IS THE SOLE PROPERTY OF LYNDEX NIKKEN. ANY REPRODUCTION IN PART OR AS A WHOLE WITHOUT THE WRITTEN PERMISSION OF LYNDEX NIKKEN IS PROHIBITED. DRAWING SUBJECT TO CHANGE WITHOUT NOTICE.

NAME	DATE
DRAWN BT	1/18/2021

NOTES:  
 Ref# THL-MNL-T4-6031.75901-I

90 DEGREE STATIC 1.1/4" BORING BAR TRIPLE OUTPUT



SIZE	DWG. NO.	REV.
A	MNL12-BG12Z-MST	

SCALE 1:2 SHEET 1 OF 1