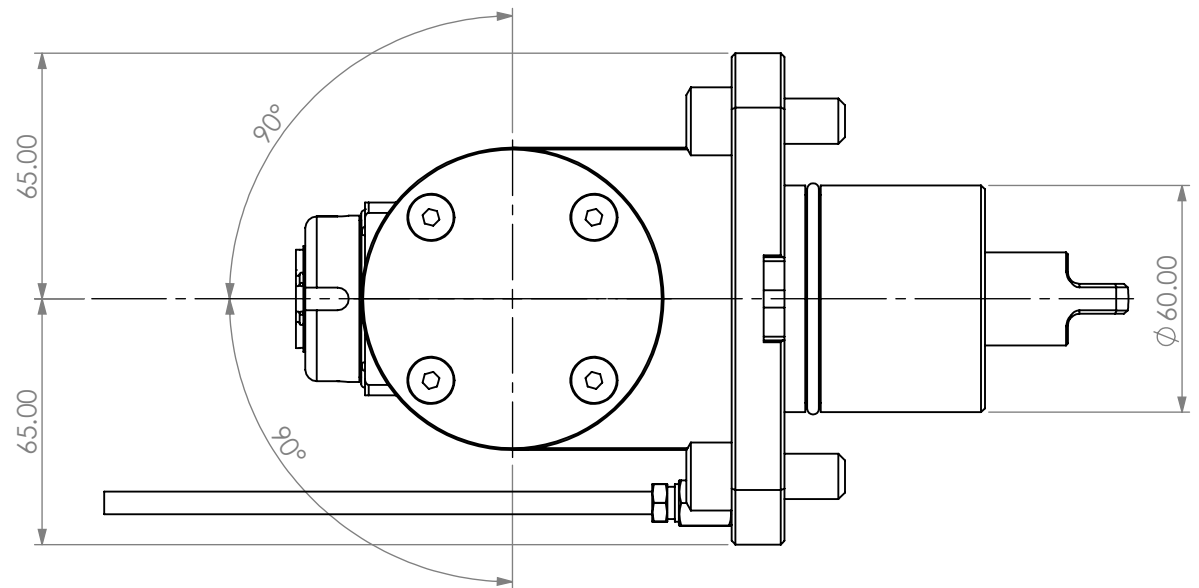


UNIVERSAL LIVE TOOL
 OUTPUT: 180DEG ADJUSTABLE ER20
 GEAR: 1/1
 MAX RPM: 4000
 COOLANT: EXTERNAL



ITEM	PART NO.	DESC.	QTY.
1	NUT-ER20I	ER20 CROWN NUT	1
2	WRENCH-ER20I	Nut wrench	1
3	FK-7	Spindle wrench	1
4	G-55	Boss shank O-ring	1
5			

PROPRIETARY AND CONFIDENTIAL

THE INFORMATION CONTAINED IN THIS DRAWING IS THE SOLE PROPERTY OF LYNDEX NIKKEN. ANY REPRODUCTION IN PART OR AS A WHOLE WITHOUT THE WRITTEN PERMISSION OF LYNDEX NIKKEN IS PROHIBITED. DRAWING SUBJECT TO CHANGE WITHOUT NOTICE.

NAME	DATE
DRAWN BT	12/21/2020

NOTES:
 Ref# T32474/ MSA01-70000

UNIVERSAL LIVE TOOL ER20 OUTPUT 180DEG ADJ

SIZE DWG. NO. REV.
A MNL12-ER20-AD

SCALE 1:2 SHEET 1 OF 1