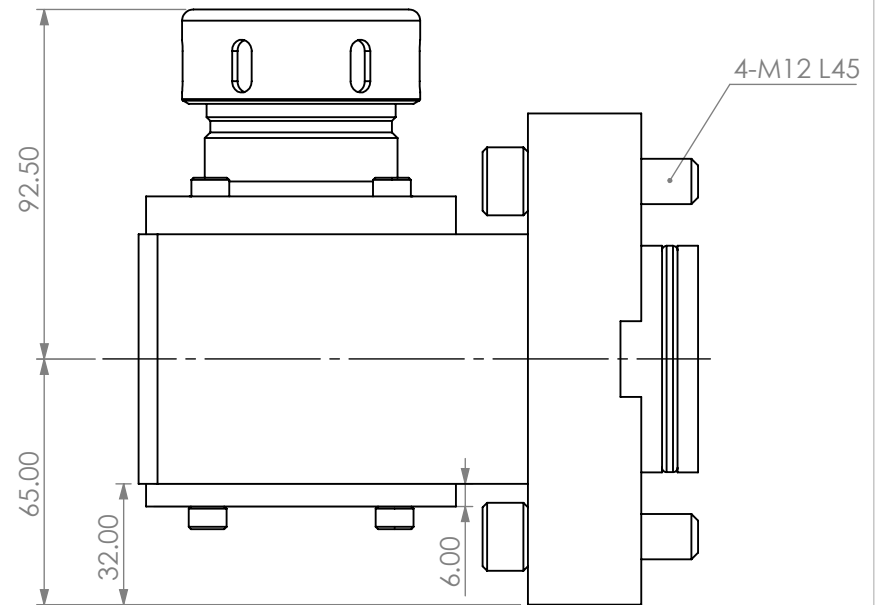


90 DEGREE STATIC TOOL
OUTPUT: ER40
COOLANT: EXTERNAL & INTERNAL



ITEM	PART NO.	DESC.	QTY.
1	NA40	Bearing collet nut ER40	1
2	FK-9	Nut wrench	1
3	G-55	Boss shank O-ring	1
4			
5			

PROPRIETARY AND CONFIDENTIAL

THE INFORMATION CONTAINED IN THIS DRAWING IS THE SOLE PROPERTY OF LYNDEX NIKKEN. ANY REPRODUCTION IN PART OR AS A WHOLE WITHOUT THE WRITTEN PERMISSION OF LYNDEX NIKKEN IS PROHIBITED. DRAWING SUBJECT TO CHANGE WITHOUT NOTICE.

NAME	DATE
DRAWN BT	1/4/2021

NOTES:
Ref# MS140-05000

90 DEGREE STATIC TOOL ER40 OUTPUT		
LYNDEX NIKKEN		
SIZE A	DWG. NO. MNL12-ER40Z-STATIC	REV.
SCALE 1:2	SHEET 1 OF 1	