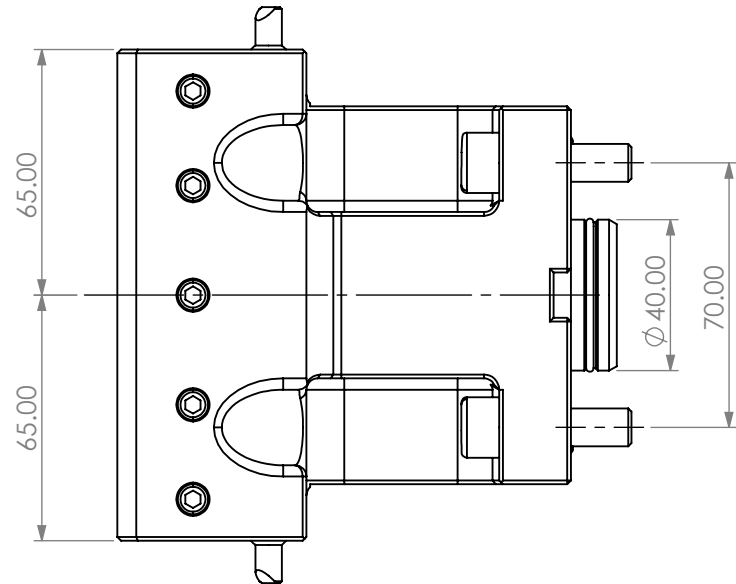
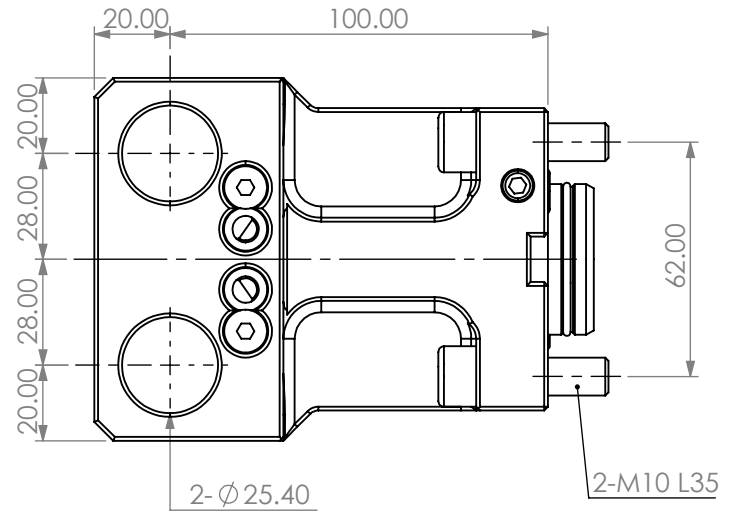


90 DEGREE STATIC TOOL
 OUTPUT: 1" BORING BAR MAIN & SUB DUAL
 COOLANT: EXTERNAL



ITEM	PART NO.	DESC.	QTY.
1			
2			
3			
4			
5			

PROPRIETARY AND CONFIDENTIAL

THE INFORMATION CONTAINED IN THIS DRAWING IS THE SOLE PROPERTY OF LYNDEX NIKKEN. ANY REPRODUCTION IN PART OR AS A WHOLE WITHOUT THE WRITTEN PERMISSION OF LYNDEX NIKKEN IS PROHIBITED. DRAWING SUBJECT TO CHANGE WITHOUT NOTICE.

NAME	DATE
DRAWN BT	1/18/2021

NOTES:
 Ref# THL-MNZ-T6-4025.4100-I

90 DEGREE STATIC 1" BORING BAR M/SUB DUAL OUTPUT

SIZE DWG. NO. REV.
A MNZ20-BG10Z-MSD-C

SCALE 1:2 SHEET 1 OF 1