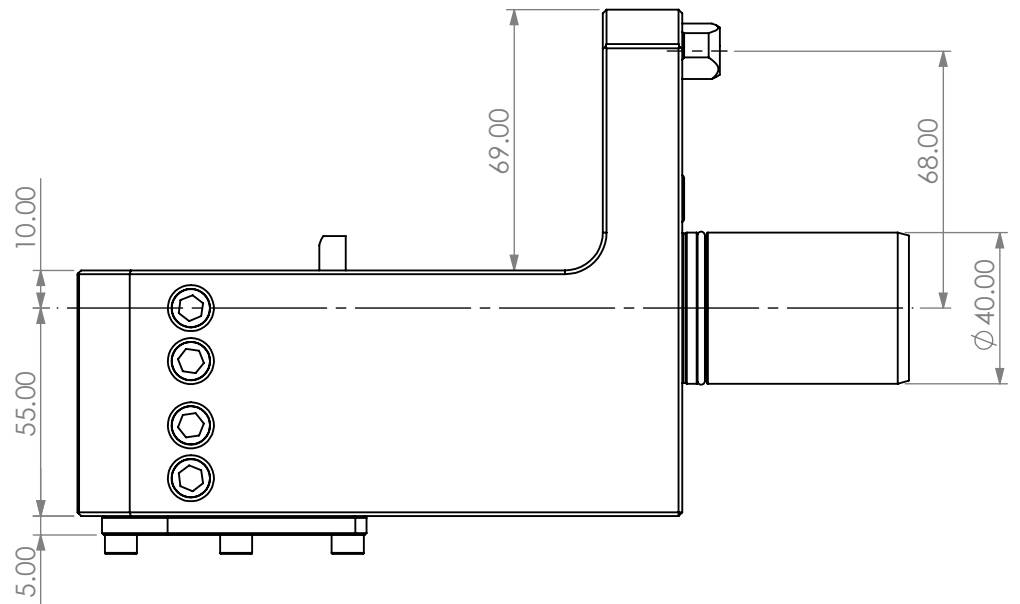
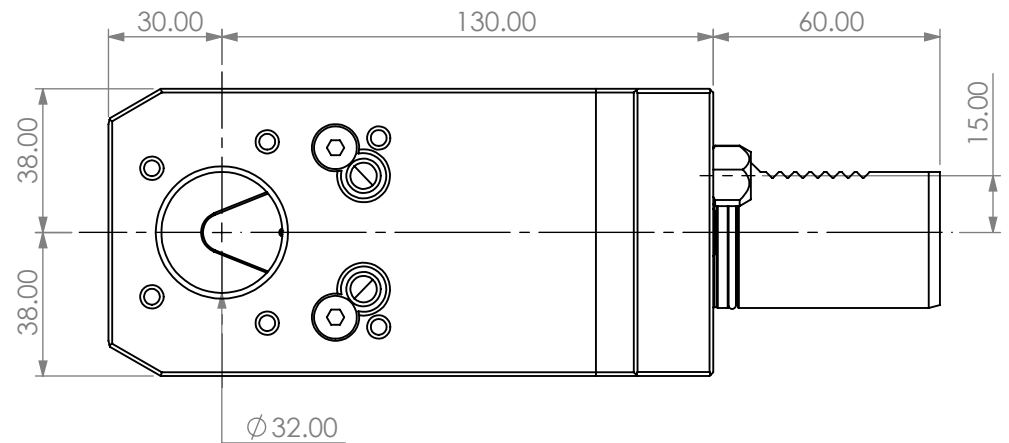


90 DEGREE VDI40 STATIC TOOL
 OUTPUT: 32mm BORING BAR
 COOLANT: EXTERNAL & INTERNAL
 BACK PLATE REMOVABLE



ITEM	PART NO.	DESC.	QTY.
1			
2			
3			
4			
5			

PROPRIETARY AND CONFIDENTIAL

THE INFORMATION CONTAINED IN THIS DRAWING IS THE SOLE PROPERTY OF LYNDEX NIKKEN. ANY REPRODUCTION IN PART OR AS A WHOLE WITHOUT THE WRITTEN PERMISSION OF LYNDEX NIKKEN IS PROHIBITED. DRAWING SUBJECT TO CHANGE WITHOUT NOTICE.

NAME	DATE
DRAWN BT	1/19/2021

NOTES:
 Ref# THL-MPA-T1-4032130-I

90 DEGREE VDI40 STATIC 32mm BORING BAR OUTPUT		
LYNDEX NIKKEN		
SIZE A	DWG. NO. MZMP46-BG32MZ-C	REV.
SCALE 1:2	SHEET 1 OF 1	