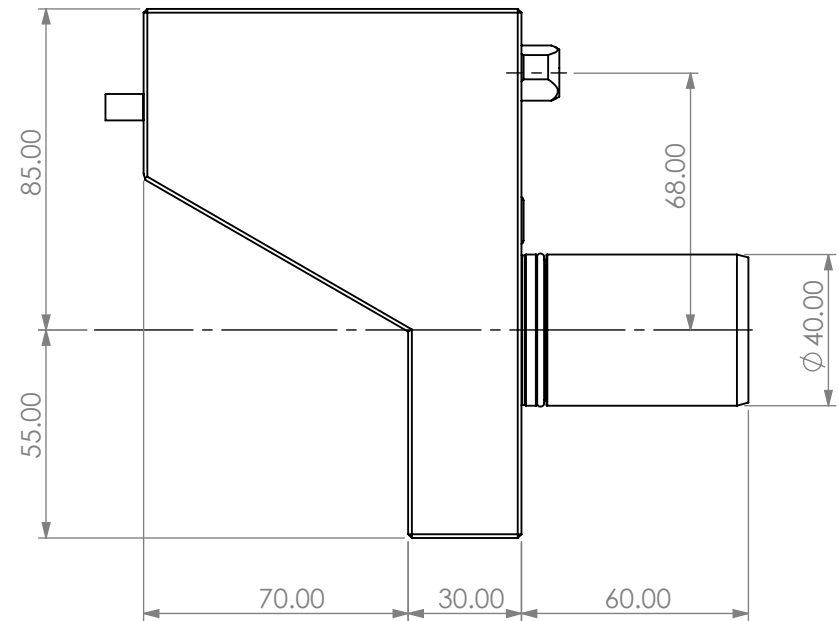
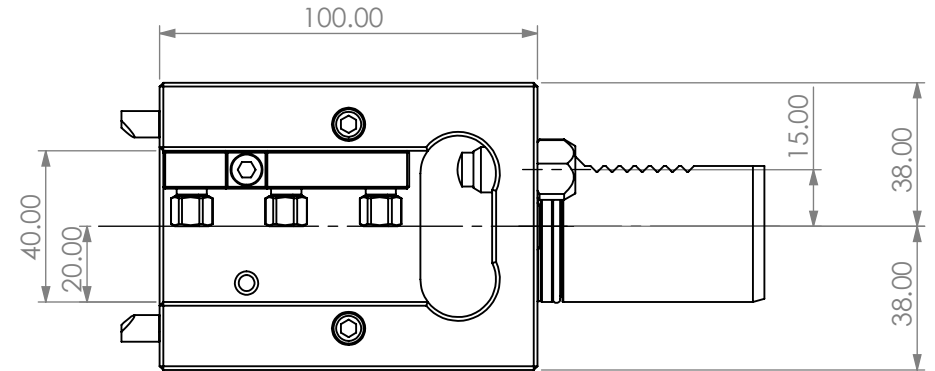


STRAIGHT VDI40 STATIC TOOL
 OUTPUT: 20mm SQR SHANK
 COOLANT: EXTERNAL
 WEDGE CLAMP MOVABLE LEFT/RIGHT



ITEM	PART NO.	DESC.	QTY.
1			
2			
3			
4			
5			

PROPRIETARY AND CONFIDENTIAL

THE INFORMATION CONTAINED IN THIS DRAWING IS THE SOLE PROPERTY OF LYNDEX NIKKEN. ANY REPRODUCTION IN PART OR AS A WHOLE WITHOUT THE WRITTEN PERMISSION OF LYNDEX NIKKEN IS PROHIBITED. DRAWING SUBJECT TO CHANGE WITHOUT NOTICE.

NAME	DATE
BT	1/19/2021

NOTES:
 Ref# THL-MPA-C5-4020

STRAIGHT VDI40 STATIC 20mm SQR SHANK OD OUTPUT



SIZE	DWG. NO.	REV.
A	MZMP46-OD20MX	

SCALE 1:2 SHEET 1 OF 1