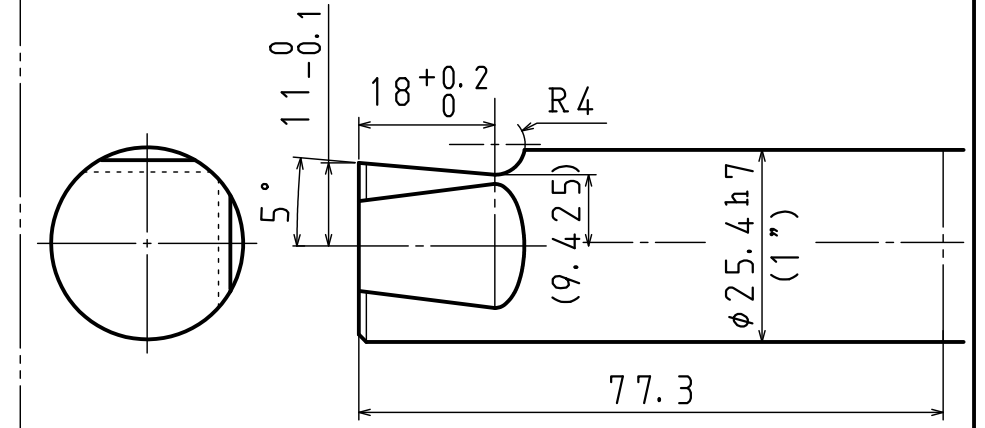
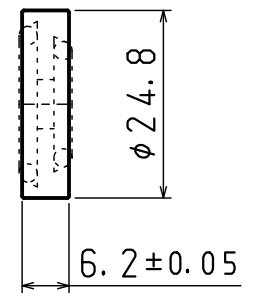
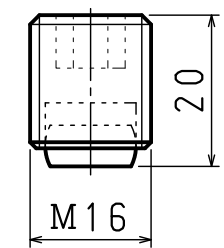
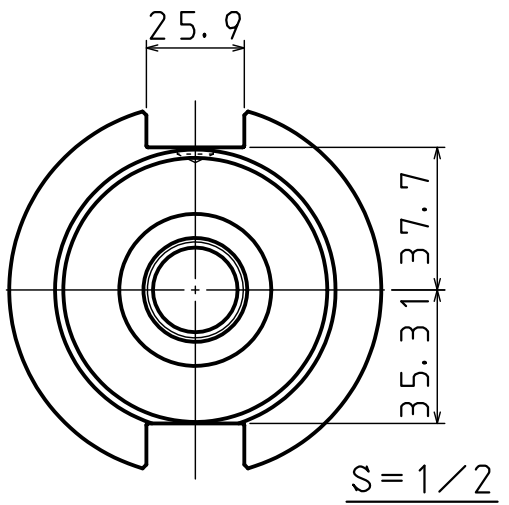
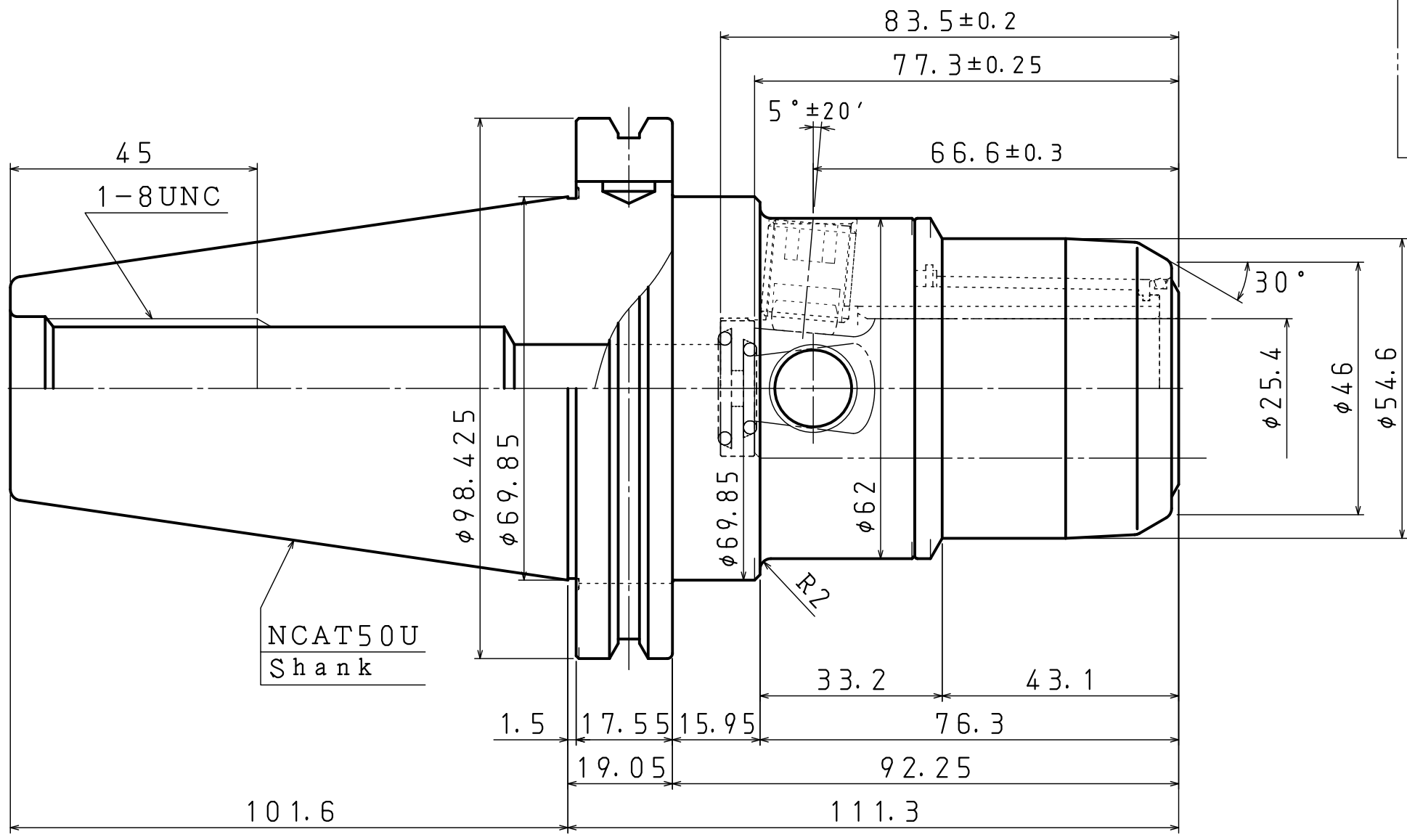


MARK	DATE	NAME	REVISION
△x			
△x			
△x			
△x			



The dimensions of Endmill Shank.



Screws with non-reversible flat-faced ball

KIND	TITLE	CUSTOMER		
	X-TREME CHUCK			
MACHINE MODEL	CODE NO.			
	NCAT50-C1EX-111U	DESIGNED	CHECKED	APPROVED
SCALE	1/1	Isohama		
DATE	2019. 05. 09	DIR-NAME	MCA 1	
	NIKKEN KOSAKUSHO WORKS, LTD.	DRWG NO.	MCA59-48004/0	