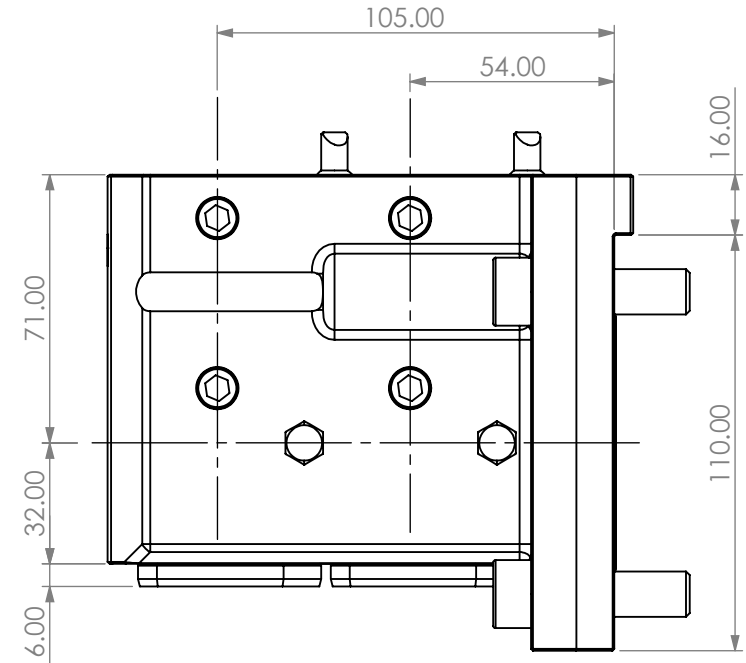


90 DEGREE STATIC TOOL  
 OUTPUT: 1.1/2" BORING BAR DUAL  
 COOLANT: EXTERNAL & INTERNAL  
 \*\*BACK PLATE REMOVABLE\*\*



ITEM	PART NO.	DESC.	QTY.
1			
2			
3			
4			
5			

**PROPRIETARY AND CONFIDENTIAL**

THE INFORMATION CONTAINED IN THIS DRAWING IS THE SOLE PROPERTY OF LYNDEX NIKKEN. ANY REPRODUCTION IN PART OR AS A WHOLE WITHOUT THE WRITTEN PERMISSION OF LYNDEX NIKKEN IS PROHIBITED. DRAWING SUBJECT TO CHANGE WITHOUT NOTICE.

NAME	DATE
DRAWN BT	1/21/2021

NOTES:  
 Ref# THL-KB4-T3-6038.154-I

90 DEGREE STATIC 1.1/2" BORING BAR DUAL OUTPUT		
<b>LYNDEX NIKKEN</b>		
SIZE <b>A</b>	DWG. NO. OKE4-BG15Z-MD-C	REV.
SCALE 1:2	SHEET 1 OF 1	