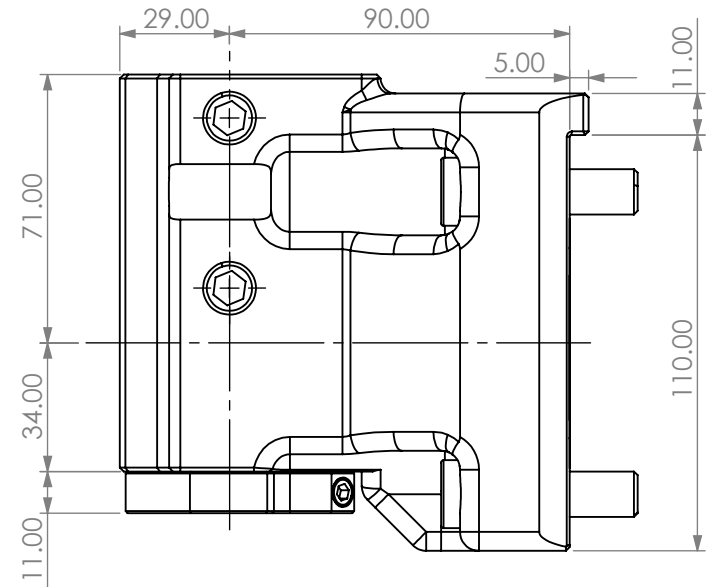


90 DEGREE STATIC TOOL
 OUTPUT: 40mm BORING BAR
 COOLANT: INTERNAL
 BACK PLATE REMOVABLE



ITEM	PART NO.	DESC.	QTY.
1			
2			
3			
4			
5			

PROPRIETARY AND CONFIDENTIAL

THE INFORMATION CONTAINED IN THIS DRAWING IS THE SOLE PROPERTY OF LYNDEX NIKKEN. ANY REPRODUCTION IN PART OR AS A WHOLE WITHOUT THE WRITTEN PERMISSION OF LYNDEX NIKKEN IS PROHIBITED. DRAWING SUBJECT TO CHANGE WITHOUT NOTICE.

DRAWN	NAME	DATE
BT		1/21/2021

NOTES:
 Ref# THL-KB4-T1-604090-1

SIZE	DWG. NO.	REV.
A	OKE4-BG40MZ-C	

90 DEGREE STATIC 40mm BORING BAR OUTPUT
 SCALE 1:2 SHEET 1 OF 1