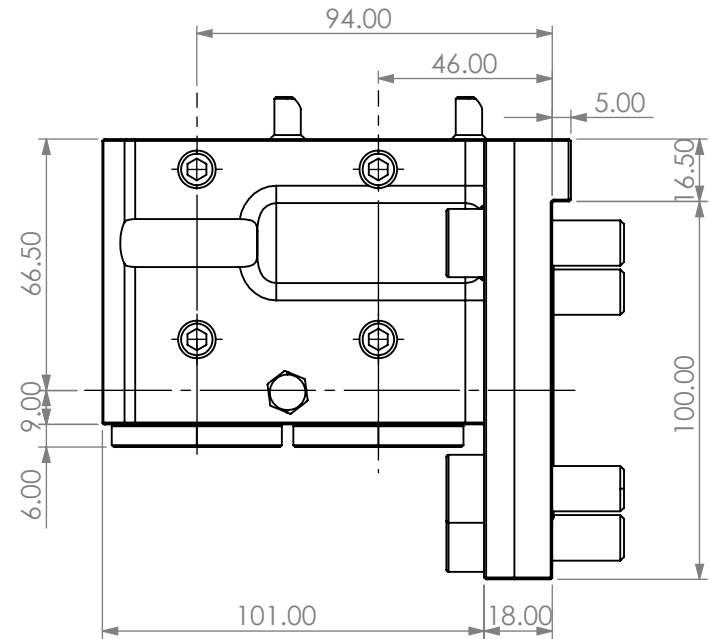


STRAIGHT STATIC TOOL
 OUTPUT: 1.1/4" BORING BAR DUAL
 COOLANT: EXTERNAL & INTERNAL
 BACK PLATE REMOVABLE



ITEM	PART NO.	DESC.	QTY.
1			
2			
3			
4			
5			

PROPRIETARY AND CONFIDENTIAL

THE INFORMATION CONTAINED IN THIS DRAWING IS THE SOLE PROPERTY OF LYNDEX NIKKEN. ANY REPRODUCTION IN PART OR AS A WHOLE WITHOUT THE WRITTEN PERMISSION OF LYNDEX NIKKEN IS PROHIBITED. DRAWING SUBJECT TO CHANGE WITHOUT NOTICE.

NAME	DATE
DRAWN BT	1/14/2021

NOTES:
 Ref# THL-KB2-T2-6031.7546-1

90 DEGREE STATIC 1.1/4" BORING BAR DUAL OUTPUT		
LYNDEX NIKKEN		
SIZE A	DWG. NO. OKEX-BG12Z-MD-C	REV.
SCALE 1:2	SHEET 1 OF 1	