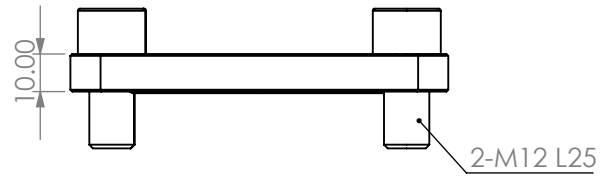
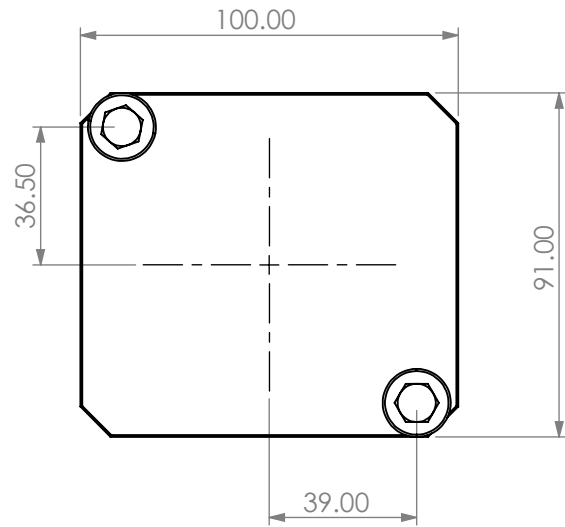


TURRET CAP/ PLUG  
OKUMA LB 2000/ 3000 EX



ITEM	PART NO.	DESC.	QTY.	PROPRIETARY AND CONFIDENTIAL		NAME	DATE	OKUMA TURRET CAP/ PLUG	
1				THE INFORMATION CONTAINED IN THIS DRAWING IS THE SOLE PROPERTY OF LYNDEX NIKKEN. ANY REPRODUCTION IN PART OR AS A WHOLE WITHOUT THE WRITTEN PERMISSION OF LYNDEX NIKKEN IS PROHIBITED. DRAWING SUBJECT TO CHANGE WITHOUT NOTICE.	DRAWN	BT	1/11/2021		REV.
2			NOTES:		Ref# 21H-00237				
3					SIZE	DWG. NO.	OKEX-PLUG		
4					<b>A</b>				
5					SCALE	1:2			SHEET 1 OF 1