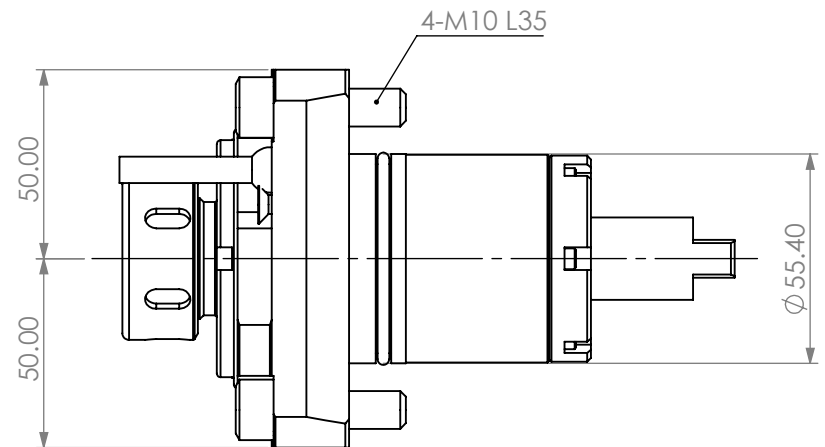


STRAIGHT LIVE TOOL
 OUTPUT: ER25
 GEAR: 1/1
 MAX RPM: 6000 RPM
 COOLANT: EXTERNAL



ITEM	PART NO.	DESC.	QTY.
1	NA25	Bearing collet nut ER25	1
2	FK-6	Nut wrench	1
3	OKA04-10090	Spindle fixture	1
4	HI103-11050	Coolant nozzle	1
5			

PROPRIETARY AND CONFIDENTIAL

THE INFORMATION CONTAINED IN THIS DRAWING IS THE SOLE PROPERTY OF LYNDEX NIKKEN. ANY REPRODUCTION IN PART OR AS A WHOLE WITHOUT THE WRITTEN PERMISSION OF LYNDEX NIKKEN IS PROHIBITED. DRAWING SUBJECT TO CHANGE WITHOUT NOTICE.

NAME	DATE
DRAWN: BT	1/7/2021

NOTES:
 Ref# OKA04-10001

STRAIGHT LIVE TOOL ER25 OUTPUT		
LYNDEX NIKKEN		
SIZE: A	DWG. NO.: OKLT-ER25X	REV.
SCALE: 1:2	SHEET 1 OF 1	