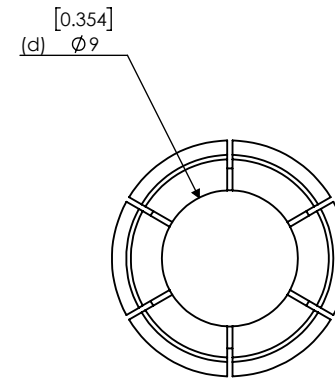
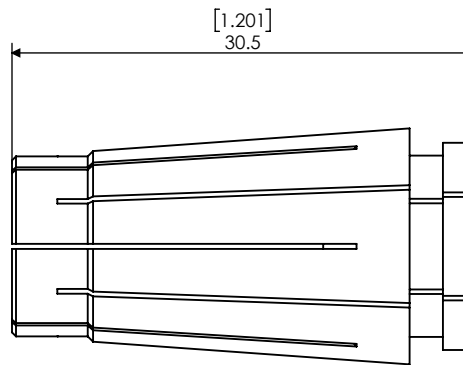


PART#	ØID mm
SK10-2P	2
SK10-9P	9
SK10-9.5P	9.5
SK10-8P	8
SK10-8.5P	8.5
SK10-7P	7
SK10-7.5P	7.5
SK10-6P	6
SK10-6.5P	6.5
SK10-6.2	6.2
SK10-5P	5
SK10-5A	5
SK10-5.5P	5.5
SK10-4P	4
SK10-4.5P	4.5
SK10-3P	3
SK10-3.5P	3.5
SK10-2.75P	2.75
SK10-2.5P	2.5
SK10-2.25P	2.25
SK10-10P	10



PROPRIETARY AND CONFIDENTIAL

THE INFORMATION CONTAINED IN THIS DRAWING IS THE SOLE PROPERTY OF LYNDEX NIKKEN. ANY REPRODUCTION IN PART OR AS A WHOLE WITHOUT THE WRITTEN PERMISSION OF LYNDEX NIKKEN IS PROHIBITED. DRAWING SUBJECT TO CHANGE WITHOUT NOTICE.

NOTES:

SK10 SLIM CHUCK COLLET



SIZE A	DWG. NO. SK10	REV. 1
SCALE 2:1		SHEET 1 OF 1